

# SUBCON-PLUS-CAN/AX - D-SUB bus connector



2306566

<https://www.phoenixcontact.com/us/products/2306566>

Please be informed that the data shown in this PDF document is generated from our online catalog. Please find the complete data in the user documentation. Our general terms of use for downloads are valid.



D-SUB connector, 9-pos. female connector, axial version with two cable entries, bus system: CAN, CANopen, SafetyBUS p; pin assignment: 2, 3, 7; screw connection terminal blocks

## Product description

The SUBCON-PLUS-CAN/... D-SUB series is specifically designed for use in CAN systems. Under field conditions, it enables the quick and easy connection of the incoming and outgoing bus line. The terminating resistor is already integrated in all versions. It can be connected externally by means of a slide switch. At the same time, the outgoing bus segment is switched off. This makes it easy to start up segment by segment while incorrect terminations are avoided.

## Your advantages

- Separate terminal blocks for bus cables
- Segment-by-segment startup
- High transmission speed
- Assembly under field conditions
- Flexibility in terms of cable entry selection
- High level of EMC
- Suitable for bus cables according to CiA Draft Recommendation 303-1 with an outside diameter of 8 mm
- Termination resistor can be connected

## Commercial data

|                                      |                     |
|--------------------------------------|---------------------|
| Item number                          | 2306566             |
| Packing unit                         | 1 pc                |
| Minimum order quantity               | 1 pc                |
| Sales key                            | DN10                |
| Product key                          | DNC541              |
| Catalog page                         | Page 449 (C-6-2019) |
| GTIN                                 | 4017918962906       |
| Weight per piece (including packing) | 53.9 g              |
| Weight per piece (excluding packing) | 38.8 g              |
| Customs tariff number                | 85366990            |
| Country of origin                    | DE                  |

# SUBCON-PLUS-CAN/AX - D-SUB bus connector



2306566

<https://www.phoenixcontact.com/us/products/2306566>

## Technical data

### Notes

#### Utilization restriction

|            |   |
|------------|---|
| CCCex note | Use in potentially explosive areas is not permitted in China. |
|------------|---|

### Product properties

|                |  |
|----------------|--|
| Product type   | Data plug  |
| MTTF           | 6706 Years (SN 29500 standard, temperature 25°C, operating cycle 21%)    |
|                | 1817 Years (SN 29500 standard, temperature 40°C, operating cycle 34.25%) |
|                | 155 Years (SN 29500 standard, temperature 40°C, operating cycle 100%)    |
| Pin assignment | 2, 3, 7  |

### Electrical properties

|                       |        |
|-----------------------|--------|
| Nominal voltage $U_N$ | 5 V    |
| Nominal current $I_N$ | 100 mA |

### Connection data

|                   |            |
|-------------------|------------|
| Tightening torque | ... 0.4 Nm |
|-------------------|------------|

#### D-SUB connection

|                   |              |
|-------------------|--------------|
| Connection method | D-SUB socket |
|-------------------|--------------|

#### PCB connection

|  |                      |
|--|----------------------|
| Connection method                          | Screw connection     |
| Stripping length                           | 5 mm                 |
| Conductor cross section, rigid min.        | 0.14 mm <sup>2</sup> |
| Conductor cross section, rigid max.        | 0.5 mm <sup>2</sup>  |
| Conductor cross section flexible min.      | 0.14 mm <sup>2</sup> |
| Conductor cross section flexible max.      | 0.5 mm <sup>2</sup>  |
| Single-wire/terminal point, rigid AWG min. | 26                   |
| Single-wire/terminal point, rigid AWG max. | 20                   |
| Min. AWG conductor cross section, flexible | 26                   |
| Max. AWG conductor cross section, flexible | 20                   |

### Interfaces

|            |                           |
|------------|---------------------------|
| Bus system | CAN, CANopen, SafetyBus-P |
| Signal     | CAN                       |
|            | CANopen <sup>®</sup>      |
|            | SafetyBUS p               |

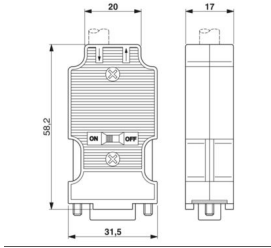
### Dimensions

# SUBCON-PLUS-CAN/AX - D-SUB bus connector



2306566

<https://www.phoenixcontact.com/us/products/2306566>

|                     |  |
|---------------------|--|
| Dimensional drawing |  |
| Width               | 17 mm  |
| Height              | 31.5 mm  |
| Length              | 58.2 mm  |

## Material specifications

|                  |                   |
|------------------|-------------------|
| Material Housing | ABS, metal-plated |
|------------------|-------------------|

## Cable/line

|                             |                                       |
|-----------------------------|---------------------------------------|
| External cable diameter ( ) | 7.6 mm ... 8.4 mm (Incoming bus line) |
|-----------------------------|---------------------------------------|

## Mechanical properties

### Mechanical data

|                             |       |
|-----------------------------|-------|
| Insertion/withdrawal cycles | > 200 |
|-----------------------------|-------|

## Environmental and real-life conditions

### Ambient conditions

|  |  |
|--|--|
| Degree of protection                     | IP40   |
| Ambient temperature (operation)          | -20 °C ... 75 °C   |
| Ambient temperature (storage/transport)  | -25 °C ... 80 °C   |
| Altitude                                 | ≤ 5000 m (For restrictions, see the manufacturer's declaration for altitude operation) |
| Permissible humidity (operation)         | 10 % ... 95 % (non-condensing)   |
| Permissible humidity (storage/transport) | 5 % ... 95 % (non-condensing)  |

## Approvals

### EAC

|                |     |
|----------------|-----|
| Identification | EAC |
|----------------|-----|

### ATEX

|                |   |
|----------------|---|
| Identification | Ⓔ II 3 G Ex nA IIC T4 Gc X  |
| Note           | Please follow the special installation instructions in the documentation! |

### Corrosive gas test

|                |                                  |
|----------------|----------------------------------|
| Identification | ISA-S71.04-1985 G3 Harsh Group A |
|----------------|----------------------------------|

## Standards and regulations

# SUBCON-PLUS-CAN/AX - D-SUB bus connector



2306566

<https://www.phoenixcontact.com/us/products/2306566>

Free from substances that could impair the application of coating

in accordance with VW-AUDI-Seat central standard P-VW 3.10.7  
57 65 0

# SUBCON-PLUS-CAN/AX - D-SUB bus connector

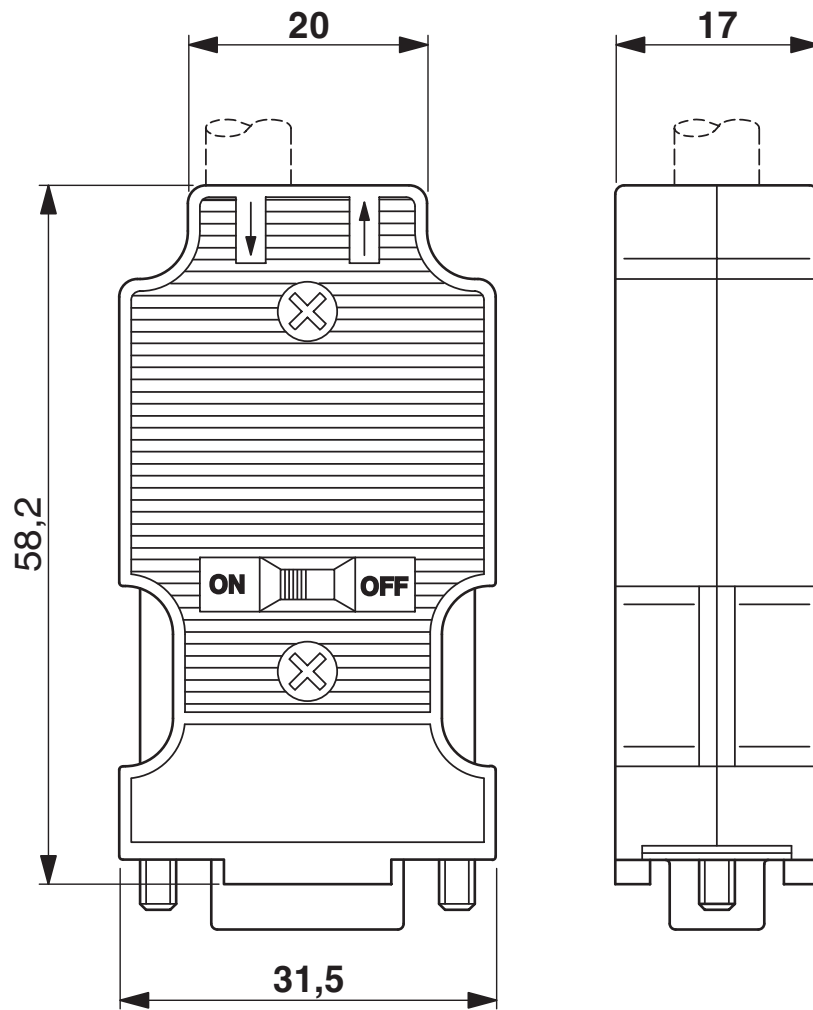


2306566

<https://www.phoenixcontact.com/us/products/2306566>

## Drawings

Dimensional drawing



Dimensional drawing

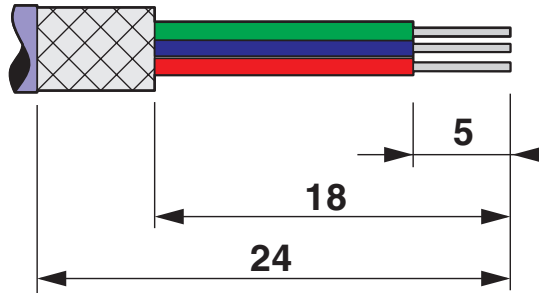
# SUBCON-PLUS-CAN/AX - D-SUB bus connector



2306566

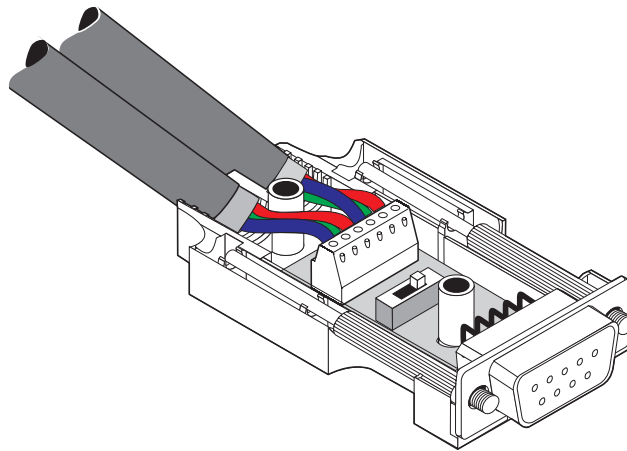
<https://www.phoenixcontact.com/us/products/2306566>

Schematic diagram



Stripping specifications

Schematic diagram



Connection of the cables

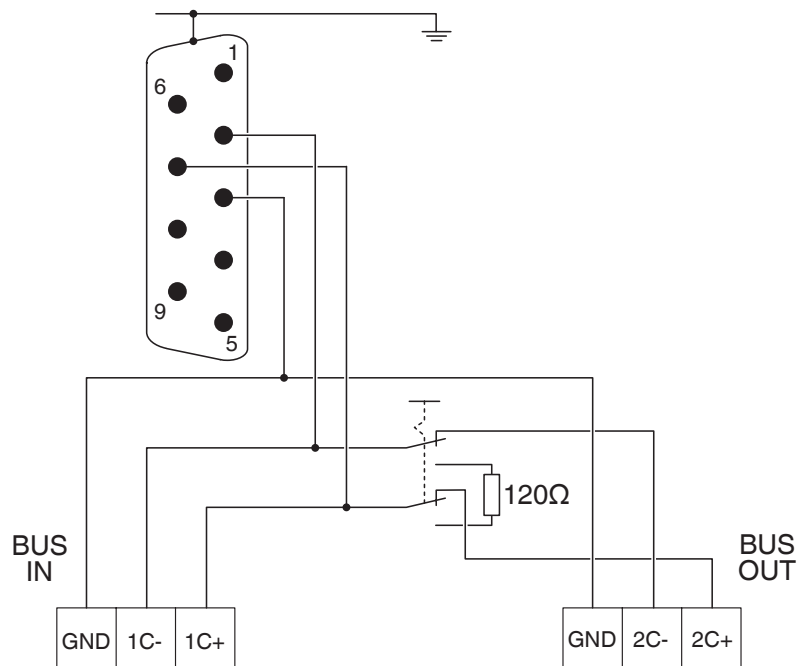
# SUBCON-PLUS-CAN/AX - D-SUB bus connector

2306566

<https://www.phoenixcontact.com/us/products/2306566>



Circuit diagram



# SUBCON-PLUS-CAN/AX - D-SUB bus connector



2306566

<https://www.phoenixcontact.com/us/products/2306566>

## Approvals

To download certificates, visit the product detail page: <https://www.phoenixcontact.com/us/products/2306566>



**cUL Recognized**  
Approval ID: FILE E 238705



**UL Recognized**  
Approval ID: FILE E 238705

**cULus Recognized**



# SUBCON-PLUS-CAN/AX - D-SUB bus connector



2306566

<https://www.phoenixcontact.com/us/products/2306566>

## Classifications

### ECLASS

|             |          |
|-------------|----------|
| ECLASS-11.0 | 27440302 |
| ECLASS-12.0 | 27440302 |
| ECLASS-13.0 | 27440302 |

### ETIM

|          |          |
|----------|----------|
| ETIM 9.0 | EC001132 |
|----------|----------|

### UNSPSC

|             |          |
|-------------|----------|
| UNSPSC 21.0 | 39121400 |
|-------------|----------|

# SUBCON-PLUS-CAN/AX - D-SUB bus connector



2306566

<https://www.phoenixcontact.com/us/products/2306566>

## Environmental product compliance

|            |  |
|------------|--|
| REACH SVHC | Lead 7439-92-1   |
| China RoHS | Environmentally Friendly Use Period = 50 years   |
|            | For information on hazardous substances, refer to the manufacturer's declaration available under "Downloads" |

# SUBCON-PLUS-CAN/AX - D-SUB bus connector



2306566

<https://www.phoenixcontact.com/us/products/2306566>

## Accessories

### SZK PH1 VDE - Screwdriver

1205150

<https://www.phoenixcontact.com/us/products/1205150>



Screwdriver, PH crosshead, VDE insulated, size: PH 1 x 80 mm, 2-component grip, with non-slip grip

---

### SZF 0-0,4X2,5 - Screwdriver

1204504

<https://www.phoenixcontact.com/us/products/1204504>



Actuation tool, for ST terminal blocks, also suitable for use as a bladed screwdriver, size: 0.4 x 2.5 x 75 mm, 2-component grip, with non-slip grip

# SUBCON-PLUS-CAN/AX - D-SUB bus connector

2306566

<https://www.phoenixcontact.com/us/products/2306566>



## QUICK WIREFOX 6 - Stripping pliers

1204384

<https://www.phoenixcontact.com/us/products/1204384>



Stripping tool for cables with PVC insulation, stripping range: 0.08 to 6 mm<sup>2</sup>, wire cutting up to 6 mm<sup>2</sup> flexible or 4 mm<sup>2</sup> rigid

---

Phoenix Contact 2024 © - all rights reserved

<https://www.phoenixcontact.com>

Phoenix Contact USA  
586 Fulling Mill Road  
Middletown, PA 17057, United States  
(+717) 944-1300  
[info@phoenixcon.com](mailto:info@phoenixcon.com)