

HPP V4 Power insert THT 48V/12A 4p 90°

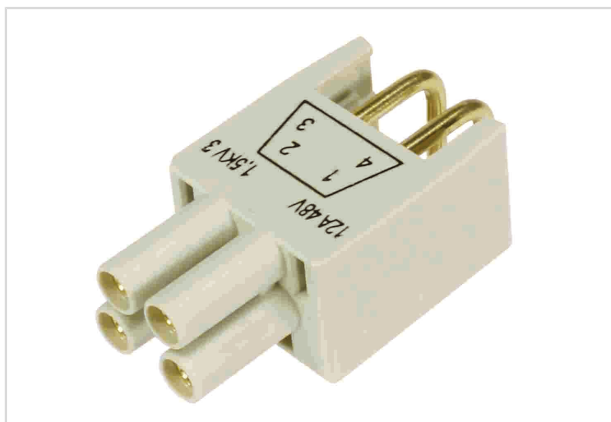


Image is for illustration purposes only. Please refer to product description.

Part number	09 46 500 4400
Specification	HPP V4 Power insert THT 48V/12A 4p 90°
HARTING eCatalogue	https://b2b.harting.com/09465004400

Identification

Category	Connectors
Series	HARTING PushPull (V4)
Identification	Power
Element	Female
Specification	Angled

Version

Termination method	Solder termination
Shielding	Unshielded
Number of contacts	4

Technical characteristics

Rated current	12 A
Rated voltage	48 V
Rated impulse voltage	1.5 kV
Pollution degree	3
Limiting temperature	-40 ... +70 °C
Mating cycles	≥750
Degree of protection acc. to IEC 60529	IP65 IP67

Material properties

Material (hood/housing)	Thermoplastic
-------------------------	---------------



Pushing Performance

Material properties

Colour (hood/housing)	Black
Material flammability class acc. to UL 94	V-0
RoHS	compliant with exemption
RoHS exemptions	6(c): Copper alloy containing up to 4 % lead by weight
ELV status	compliant with exemption
China RoHS	50
REACH Annex XVII substances	No
REACH ANNEX XIV substances	No
REACH SVHC substances	Yes
REACH SVHC substances	Lead
California Proposition 65 substances	Yes
California Proposition 65 substances	Nickel Lead

Specifications and approvals

Specifications	IEC 61076-3-106 Variant 4 (V4) EN 45545-2 R22: HL1, HL2, HL3 EN 45545-2 R23: HL1, HL2, HL3
Approvals	DNV GL
UL / CSA	UL 1977 ECBT2.E235076 CSA-C22.2 No. 182.3 ECBT8.E235076

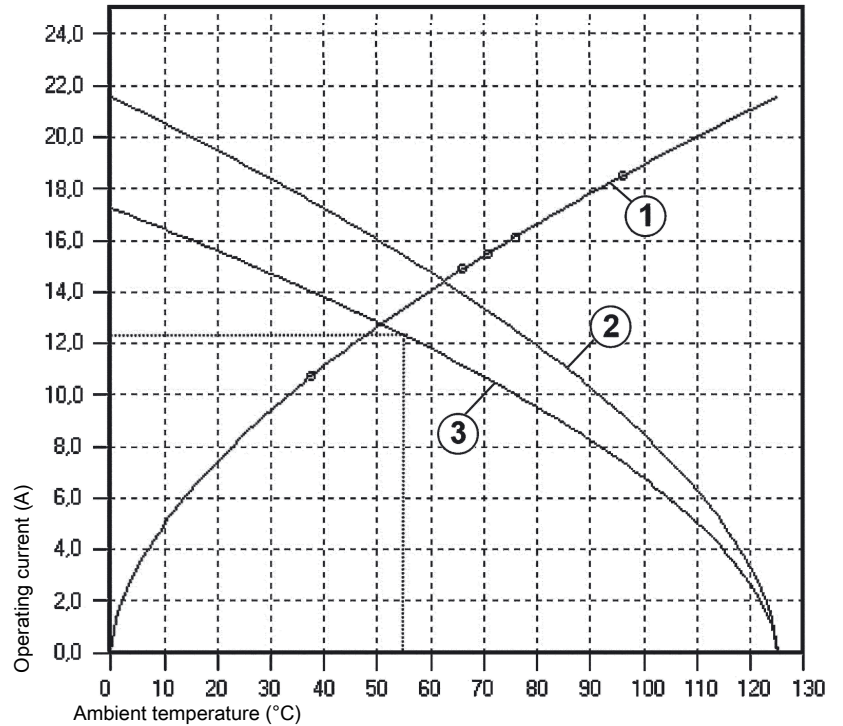
Commercial data

Packaging size	10
Net weight	5.2 g
Country of origin	Romania
European customs tariff number	85366990
eCl@ss	27440205 Contact insert for industrial connectors

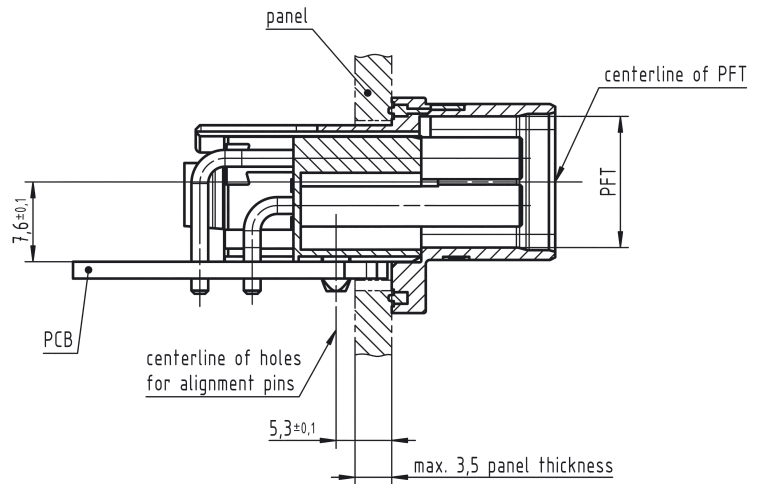
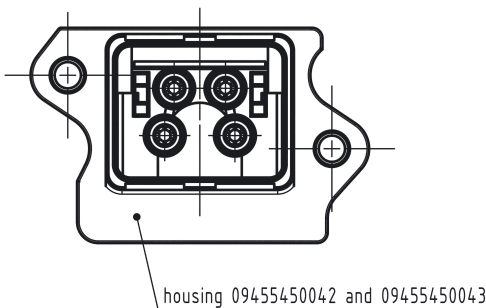
Current carrying capacity

The current carrying capacity of the connectors is limited by the thermal load capability of the contact element material including the connections and the insulating parts. The derating curve is therefore valid for currents which flow constantly (non-intermittent) through each contact element of the connector evenly, without exceeding the allowed maximum temperature.

Measuring and testing techniques acc. to IEC 60512-5-2



- ① Heating
 - ② Derating curve
 - ③ Derating curve 80%
- Conductor cross-section 1.5 mm²



Mouser Electronics

Authorized Distributor

Click to View Pricing, Inventory, Delivery & Lifecycle Information:

[HARTING:](#)

[09465004400](#)