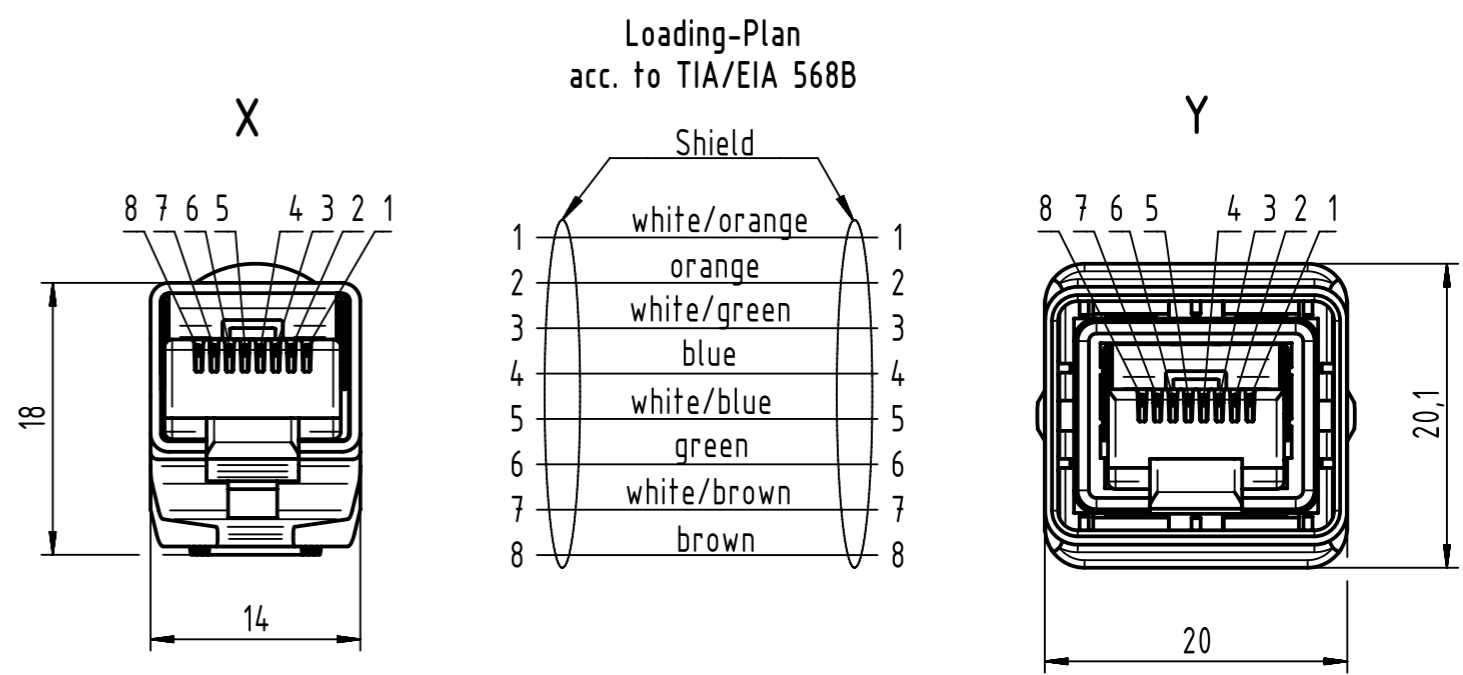
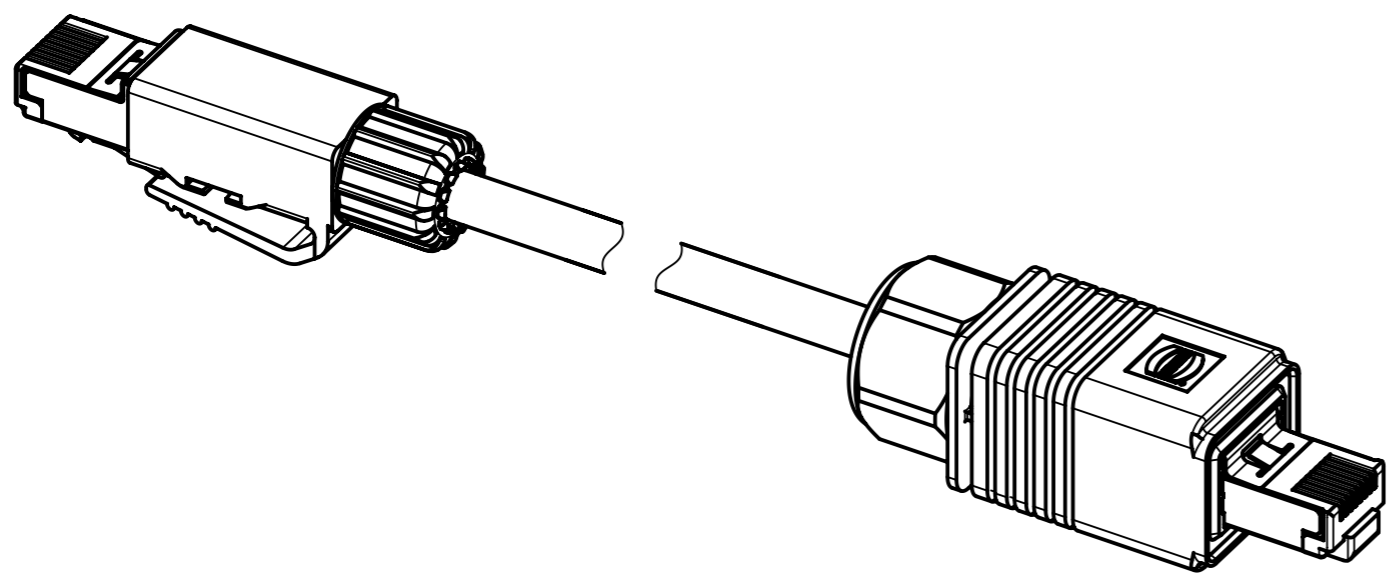




-Temperature range: static condition -20°C ...+70°C



All rights reserved Department EC PD - RO HARTING Electronics GmbH D-32339 Espelkamp		All Dimensions in mm Original Size DIN A3	Scale 2:1 Free size tol.	Created by MUNTEANV Inspected by AVRAM Title RJ Industrial Cable Assembly Type TB	Standardisation HOFFMANN Date 2016-03-04 State Final Release Number 09457011YYY	Ref. Sub. Doc-Key / ECM-Nr. 100121364/UGD/011/J 500000101300 Rev. J Page 1/2
-----------------------------------------------------------------------------------------------	--	----------------------------------------------	-----------------------------	--------------------------------------------------------------------------------------------	------------------------------------------------------------------------------------------	------------------------------------------------------------------------------------------------

1	2	3	4	5	6	7	8			
A								A		
B	35	09457011523	RJ45 Ethernet stranded cable, AWG 26/7, 4x2x0.5/1.0, PVC, Cat. 6A, yellow	100	6.6			B		
	34	09457011525		70						
	33	09457011522		50						
	32	09457011524		30						
	31	09457011521		25						
	30	09457011514		20						
	29	09457011513		15						
	28	09457011512		10						
	27	09457011519		9						
	26	09457011518		8						
	25	09457011517		7						
	24	09457011520		6						
	23	09457011511		5						
	22	09457011516		4						
	21	09457011510		3						
	20	09457011515		2						
	19	09457011509		1.5						
	18	09457011508		1						
	17	09457011507		0.5						
C	16	09457011118	RJ45 Ethernet stranded cable, 4x2xAWG 26/7, outdoor, PVC, Cat. 5, black	50	6.7			C		
	15	09457011117		35						
	14	09457011116		20						
	13	09457011115		15						
	12	09457011114		10						
	11	09457011113		9						
	10	09457011112		8						
	9	09457011111		7						
	8	09457011110		6						
	7	09457011109		5						
	6	09457011108		4						
	5	09457011107		3						
	4	09457011106		2						
	3	09457011105		1.5						
	2	09457011104		1						
	1	09457011103		0.5						
D								D		
E								E		
F								F		
	Cont. no.	Part no.	Type of cable	Dim. a[m]	Dim. d[mm]					
	1									
					 All Dimensions in mm Original Size DIN A3		Scale 1:1	Free size tol.	Ref. Sub.	
					 All rights reserved Department EC PD - RO		Created by MUNTEANV	Inspected by AVRAM	Standardisation HOFFMANN	
					HARTING Electronics GmbH D-32339 Espelkamp		Title RJ Industrial Cable Assembly		Doc-Key / ECM-Nr. 100121364/UGD/011/J 500000101300	
					Type TB	Number 09457011YYYY		Rev. J	Page 2/2	

# Mouser Electronics

Authorized Distributor

Click to View Pricing, Inventory, Delivery & Lifecycle Information:

[HARTING:](#)

[09457011509](#) [09457011510](#) [09457011511](#) [09457011512](#) [09457011514](#) [09457011507](#) [09457011508](#)  
[09457011513](#)