



**ON Semiconductor®**

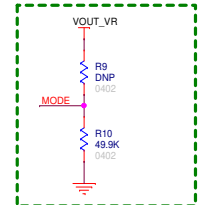
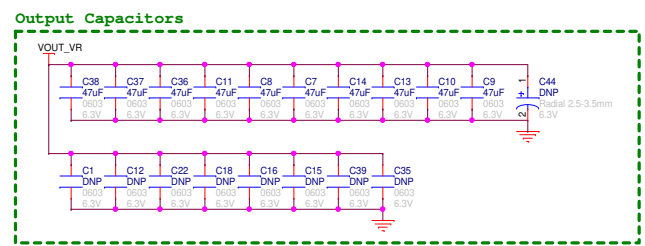
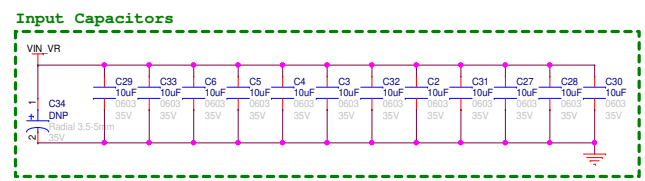
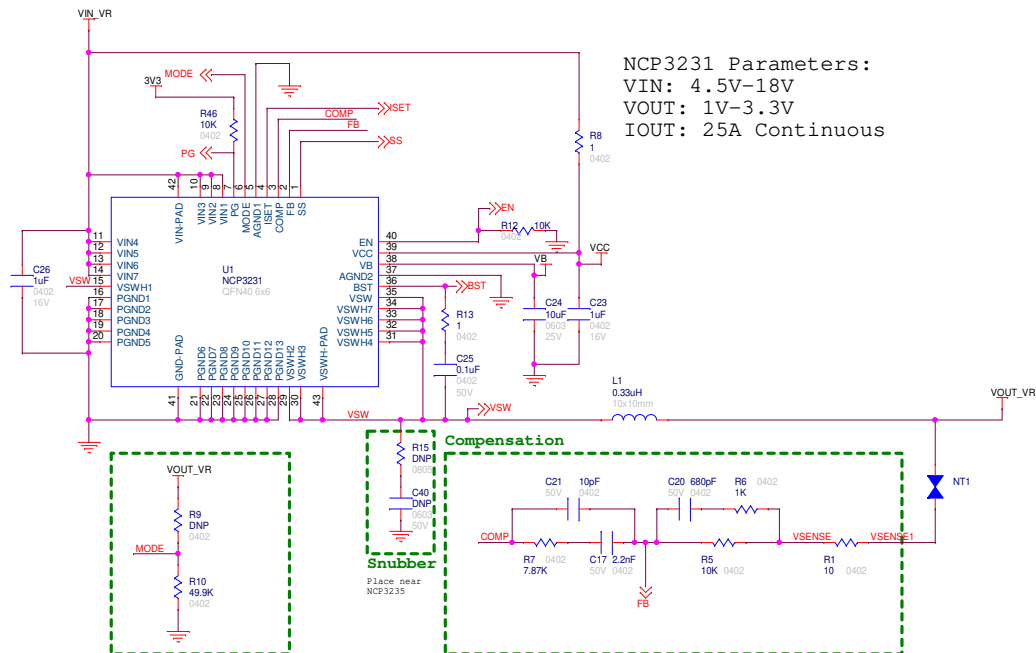
# **NCP3231 Sync Buck Converter**

<Variant Name>

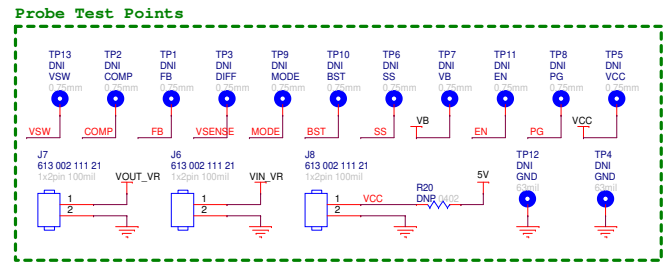
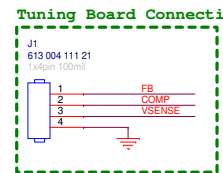
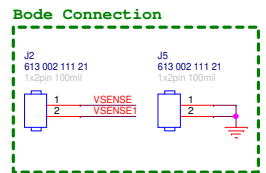
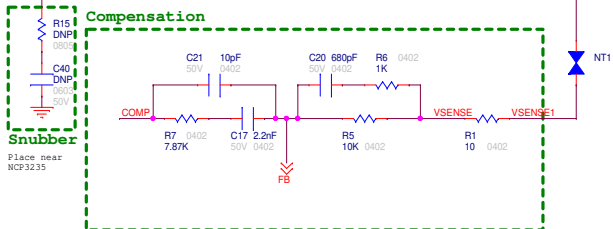
|                                      |                                |             |
|--------------------------------------|--------------------------------|-------------|
| <b>ON Semiconductor</b>              |                                |             |
| Title<br>NCP3231 Sync Buck Converter |                                |             |
| Size<br>Custom                       | Document Number<br>ONSEC-18-17 | Rev<br>REV1 |
| Date<br>Friday, March 15, 2019       | Sheet 1 of 4                   |             |

# NCP3231 25A Switcher

NCP3231 Parameters:  
 VIN: 4.5V-18V  
 VOUT: 1V-3.3V  
 IOU: 25A Continuous



**Mode Select**  
 Changes frequency and operation modes. See datasheet for more info.

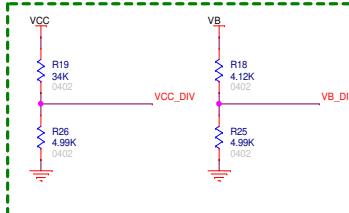


Variant Name

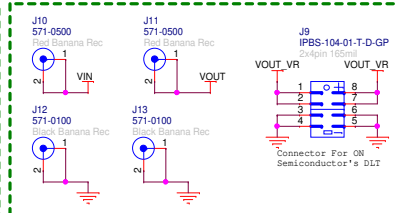
|                                      |                                |             |
|--------------------------------------|--------------------------------|-------------|
| <b>ON Semiconductor</b>              |                                |             |
| Title<br>NCP3231 Sync Buck Converter |                                |             |
| Size<br>Custom                       | Document Number<br>ONSEC-18-17 | Rev<br>REV1 |
| Date<br>Tuesday, July 30, 2019       | Sheet 2 of 4                   |             |

# Strata Assisted

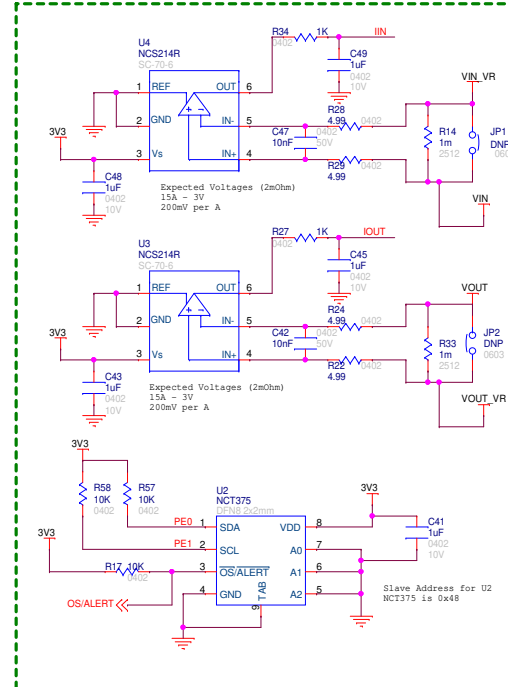
## VCC/VBB Divider



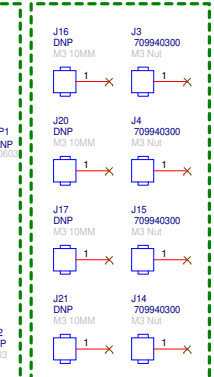
## INPUT/OUTPUT Power Connectors



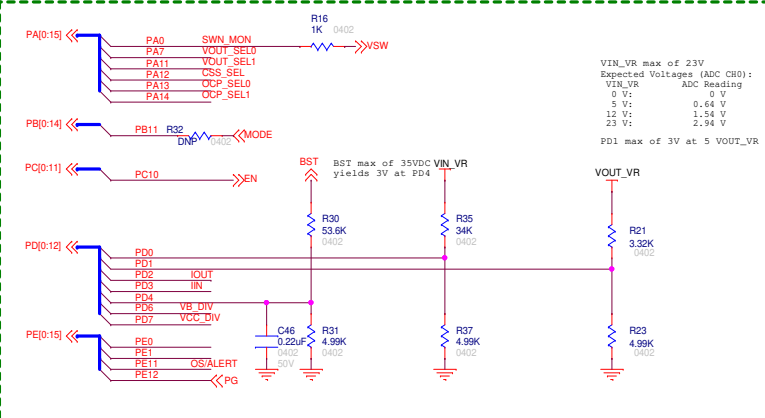
## Telemetry



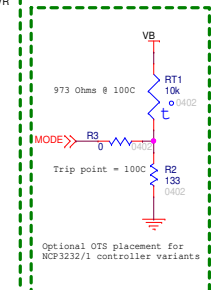
## Mounting Holes/Nuts



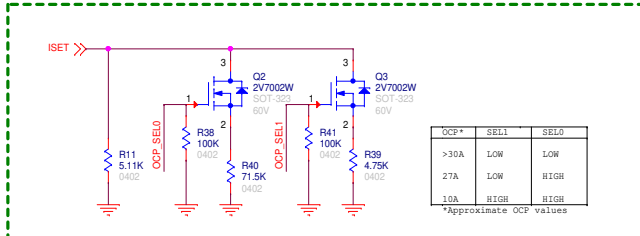
## STRATA EMBEDDED



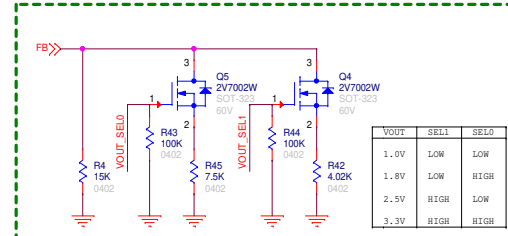
## OTS Circuit



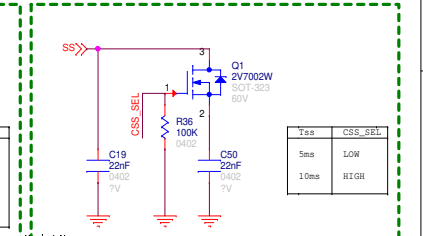
## Strata OCP set



## Strata Output Voltage Select



## Strata Soft-Start Select



**ON Semiconductor**

Title: NCP3231 Sync Buck Converter

|        |                 |      |
|--------|-----------------|------|
| Size   | Document Number | Rev  |
| Custom | ONSEC-18-17     | REV1 |

Date: Friday, March 15, 2019      Sheet 3 of 4

