

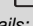


Terminal blocks spring connection

Standard

 **DIN 3**

End stop	th. 9,0 mm	BADL V0	0199 408.02
<i>Other end stops: See Accessories section</i>			
Rail	 35 x 7,5 x 1	PR3Z2	0174 300.17
Rail	 35 x 15 x 2,3	PR4	0168 500.12
Rail	 35 x 15 x 1,5	PR5	0168 700.22
<i>Other rails: See Accessories section</i>			
<i>Other accessories: See Accessories section</i>			

Notes

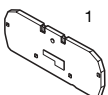
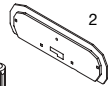

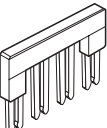
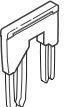

The use of some accessories may decrease the block's voltage rating. For more information, consult us.

One wire per spring.

Terminal block body material is UL 94 V0.

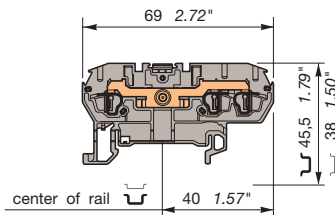
* Entelec spring connection terminal blocks comply with IEC 947-1 standard for 2.5 mm² rated wire size. Our spring terminal blocks can also be connected to 4 mm² solid wires.

Accessories

     	1 End section	grey orange	FED5.3L V0 th. 2,5 mm 0291 051.22 FED5.3L V0 th. 2,5 mm 0291 052.23 SCD5.3L V0 th. 2,5 mm 0291 362.06
	2 Separator	orange	FC2 V2 DIA. 2 mm 0007 865.26
	3 Test plug	black	BJDL5.2 V0 2 poles 0291 102.23 BJDL5.3 V0 3 poles 0291 103.24 BJDL5.4 V0 4 poles 0291 104.25 BJDL5.5 V0 5 poles 0291 105.26 BJDL5.6 V0 6 poles 0291 106.27 BJDL5.7 V0 7 poles 0291 107.20 BJDL5.8 V0 8 poles 0291 108.01 BJDL5.9 V0 9 poles 0291 109.02 BJDL5.10 V0 10 poles 0291 110.26
	4 Jumper bar IP 20 - 24 A	orange	BJDPL56 (1) 0291 150.06 BJDPL58 (1) 0291 160.00 BJDPL510 (1) 0291 480.22
	5 Jumper bar For blocks of different spacing - Spacing 5 and 6 mm IP 20 - 24 A - Spacing 5 and 8 mm IP 20 - 24 A - Spacing 5 and 10 mm IP 20 - 24 A	orange	BJDPL56 (1) 0291 150.06 BJDPL58 (1) 0291 160.00 BJDPL510 (1) 0291 480.22
R	See section on markers	Marking method	




D 2,5/5.3L

Spacing 5 mm +0,05 .197"



Terminal blocks with 3 springs.



Color	Type	Part number
Grey	 D 2,5/5.3L	0290 031.21
Orange	 D 2,5/5.3L	0290 032.22
Blue	 D 2,5/5.N.3L	0290 033.23

Characteristics

Wire size

	IEC NFC DIN	UL	CSA
Solid wire	0,12-4 * mm ²	26-12 AWG	26-12 AWG
Stranded wire	0,12-2,5 mm ²	26-12 AWG	26-12 AWG
With isolated ferrule	0,5-2,5 mm ²		

Voltage

Rated	800 V	600 V	600 V
Pulse	8 kV		
Pollution degree	3		

Current

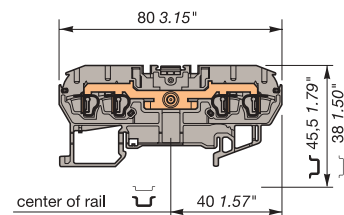
Rated	24 A	15 A	15 A
-------	------	------	------

Wire size

Rated / Gauge	2,5 mm ² / A2	12 AWG	12 AWG
Wire stripping length	Recommended torque	Protection	
9,5 mm	3,5 mm	IP 20	
.37"	.14"	NEMA 1	




D 2,5/5.4L

Spacing 5 mm +0,05 .197"



Terminal blocks with 4 springs.



Color	Type	Part number
Grey	 D 2,5/5.4L	0290 011.25
Orange	 D 2,5/5.4L	0290 012.26
Blue	 D 2,5/5.N.4L	0290 013.27

Characteristics

Wire size

	IEC NFC DIN	UL	CSA
Solid wire	0,12-4 * mm ²	26-12 AWG	26-12 AWG
Stranded wire	0,12-2,5 mm ²	26-12 AWG	26-12 AWG
With isolated ferrule	0,5-2,5 mm ²		

Voltage

Rated	800 V	600 V	600 V
Pulse	8 kV		
Pollution degree	3		

Current

Rated	24 A	15 A	15 A
-------	------	------	------

Wire size

Rated / Gauge	2,5 mm ² / A2	12 AWG	12 AWG
Wire stripping length	Recommended torque	Protection	
9,5 mm	3,5 mm	IP 20	
.37"	.14"	NEMA 1	

On top: RC 510 (6) or RPC (20)
On sides: RC 55 (5)

On top: RC 510 (6) or RPC (20)
On sides: RC 55 (5)