




Product information STAS 200 grau/grey

Industrial Connecting Solutions:Rectangular Connectors:Power Connectors (ST series):Cable plug:STAS 200 grau/grey

<http://e-catalog.hirschmann.com/link/57078-24228-256261-24351-24355-36004/en/conf/ulistate>

Name	STAS 200 grau/grey
	
	Cable plug with strain relief and coding fin
Delivery informations	
Availability	available
Product description	
Description	Cable plug with strain relief and coding fin
Type	STAS 200 grau/grey
Order No.	932 038-106
Type of contact	male
Number of contacts	2 + PE
Cable gland	PG 7
Cable diameter	4 mm to 6.5 mm
Conductor size	max. 1.5 mm ²
Housing Color	grey
Contact bearer color	black
Technical data	
Pin dimensions	2 mm
Rated voltage	AC/DC 250 V
Rated current	DC 10 A / AC 16 A
Contact resistance	<= 5 mOhm
Type of termination	screw
Material	
Contact material	Cu Zn
Contact surface material	Sn
Contact bearer material	PA
Housing material	PA
Environmental conditions	
Protection class (IEC 60529)	IP 54
Pollution severity	3
Temperature range	-30 °C to +90 °C
Inflammability class	
Housing	UL 94 HB
Contact bearer	UL 94 V-0
Approvals	
UL	UL
VDE	VDE
SEV	SEV
Packing unit	
Packaging unit	100 pieces
Scope of delivery and accessories	
Accessories to order separately	safety brackets STASI 2, order no. 732 044-000



HIRSCHMANN

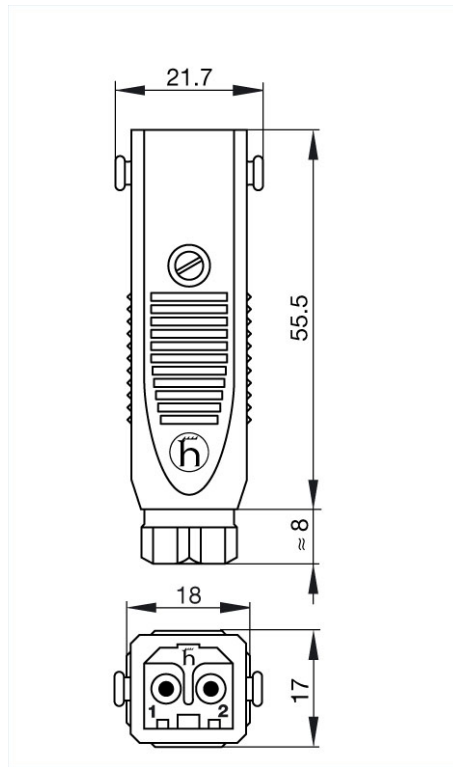
A BELDEN BRAND

Industrial Connecting Solutions:Rectangular Connectors:Power Connectors (ST series):Cable plug:STAS 200 grau/grey

<http://e-catalog.hirschmann.com/link/57078-24228-256261-24351-24355-36004/en/conf/ui/state>

Picture

Drawing



Belden Deutschland GmbH

Im Gewerbepark 2

58579 Schalksmühle

Germany

Phone: +49 7127/14-1806

E-Mail: icos-sales@belden.com

The information published in the websites has been compiled as carefully as possible. It is subject to alteration without notice in technical as well as in price-related/commercial respect. The complete information and data were available on user documentation. Mandatory information can only be obtained by a concrete query.