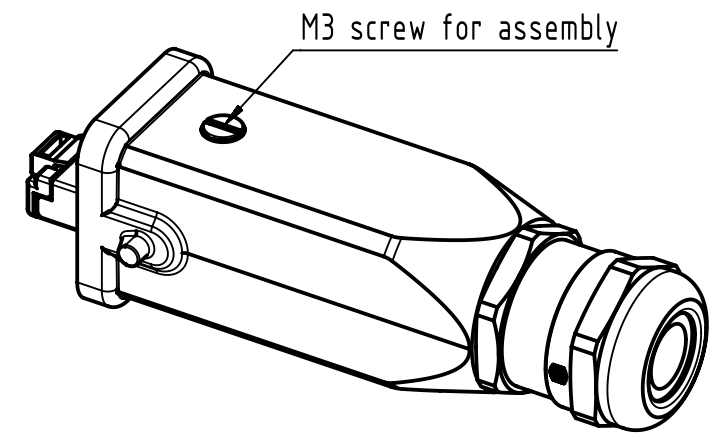
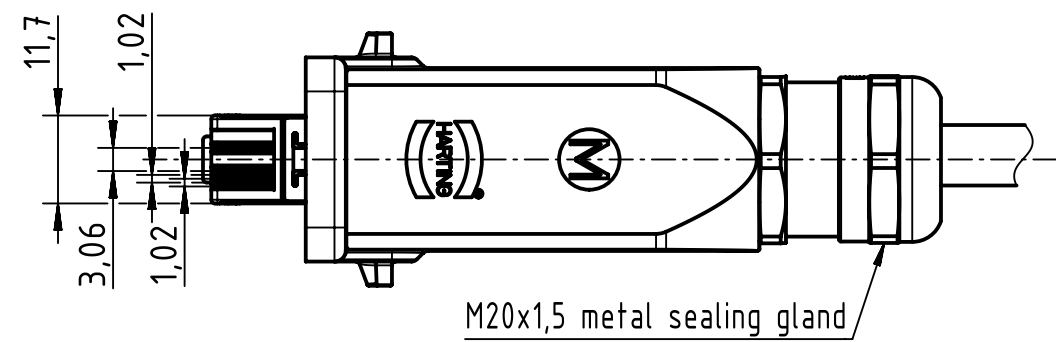
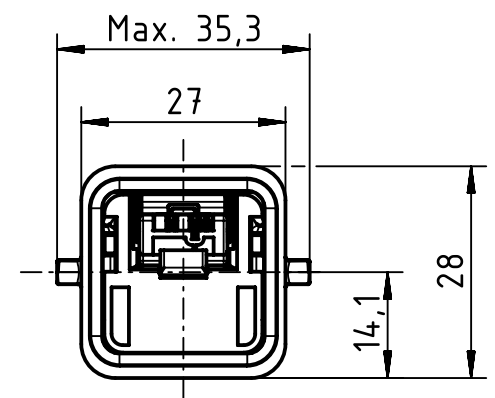
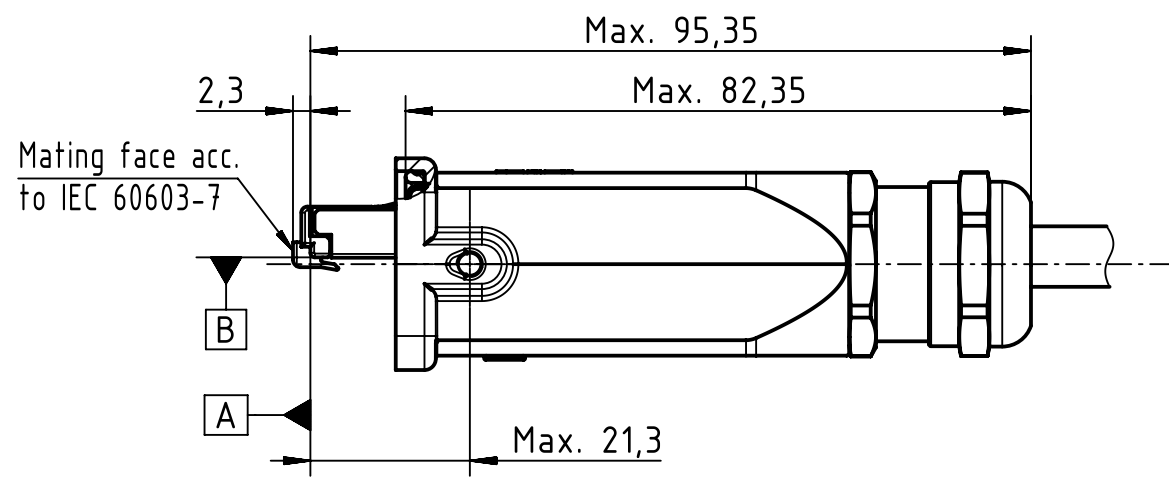


1 2 3 4 5 6

A  
B  
C  
D



Cable diameter 5-9mm  
 AWG 22-23 solid  
 AWG 22-24 stranded  
 with wires O.D. max. 1,6mm

|   |  |                                      |                       |                             |  |                        |
|---|--|--------------------------------------|-----------------------|-----------------------------|--|------------------------|
|   | All Dimensions in mm<br>Original Size DIN A4 | Scale<br>1:1                         | Free size tol.        |                             | Ref.   |                        |
|   | All rights reserved<br>Department EC PD - RO | Created by<br>POPESCUD               | Inspected by<br>AVRAM | Standardisation<br>HOFFMANN | Date<br>2017-02-24                                       | State<br>Final Release |
| HARTING Electronics GmbH<br>D-32339 Espelkamp |  | Title<br>Han3A RJ45 Cat5 plug 4p IDC |                       |                             | Doc-Key / ECM-Nr.<br>100184691/UGD/001/C<br>500000116007 |                        |
|   |  | Type<br>TB                           | Number<br>09451151100 |                             | Rev.<br>C  | Page<br>1/1            |