

**PLEASE CHECK WWW.MOLEX.COM FOR LATEST PART INFORMATION**

**Part Number:** [1300580059](#)  
**Status:** **Active**  
**Overview:** [Brad® Ethernet Solutions](#)  
**Description:** RJ-Lnxx RJ45 Female to RJ45 Female Adaptor, Panel Mount Pass Thru

**Documents:**

[Drawing \(PDF\)](#) [RoHS Certificate of Compliance \(PDF\)](#)

**General**

Product Family	Field Attachable / Accessories
Series	<a href="#">130058</a>
IP Rating	IP67
Material - Contact	N/A
Overview	<a href="#">Brad® Ethernet Solutions</a>
Product Name	RJ-Lnxx
Type	Threaded Interconnect
UPC	78678856747

**Physical**

Cable Diameter	N/A
Coupling Type	External Thread
Diagnostics / LEDs	No
Diagnostics Port	No
Gender	Female
Keyway	N/A
Material - Connector Body	Delrin
Material - Coupling Nut	Nylon
Material - Plating Mating	n/a
Net Weight	68.038/g
Orientation	Straight
Poles	N/A
Temperature Range - Operating	-20°C to +80°C
Wire Size AWG	N/A

**Electrical**

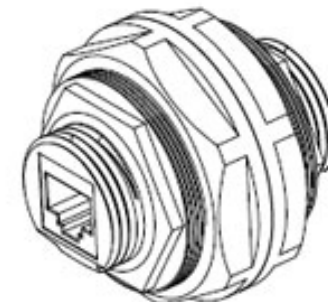
Current - Maximum per Contact	1.5A
Voltage - Maximum	30V DC

**Material Info**

Engineering Number	RJBG17946
--------------------	-----------

**Reference - Drawing Numbers**

Sales Drawing	SD-130058-007
---------------	---------------



*Series image - Reference only*

**EU ELV**

**Not Relevant**

**EU RoHS**

**Compliant**

**REACH SVHC**

Not Contained Per -  
ED/30/2017 (7 July  
2017)

**Halogen-Free**

**Status**

**Not Low-Halogen**

For more information, please visit [Contact US](#)

China ROHS

ELV

RoHS Phthalates

**China RoHS**

Green Image

Not Relevant

Not Contained

**Search Parts in this Series**

[130058 Series](#)