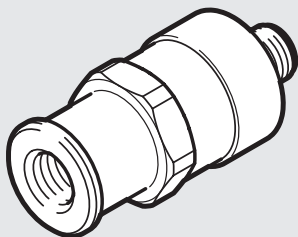


Pressure transmitter SPTW
Drucktransmitter SPTW
Transmetteur de pression SPTW
Transmisor de presión SPTW



FESTO

Festo SE & Co. KG

Postfach
D-73726 Esslingen
++49/711/347-0
www.festo.com

Operating instructions
Betriebsanleitung
Mode d'emploi
Manual de instrucciones

EN	Operating instructions	Page	3 - 16
DE	Betriebsanleitung	Seite	17 - 30
FR	Mode d'emploi	Page	31 - 44
ES	Manual de instrucciones	Página	45 - 57

Prior to starting any work, read the operating instructions!
Keep for later use!

Vor Beginn aller Arbeiten Betriebsanleitung lesen!
Zum späteren Gebrauch aufbewahren!

Lire le mode d'emploi avant de commencer toute opération !
A conserver pour une utilisation ultérieure !

¡Leer el manual de instrucciones antes de comenzar cualquier trabajo!
¡Guardar el manual para una eventual consulta posterior!

Contents

1. General information	4
2. Safety	6
3. Specifications	9
4. Design and function	10
5. Transport, packaging and storage	10
6. Commissioning, operation	11
7. Maintenance and cleaning	13
8. Faults	14
9. Dismounting, return and disposal	15

1. General information

1. General information

- These operating instructions contain important information on handling the pressure transmitter. Working safely requires that all safety instructions and work instructions are observed.
- Observe the relevant local accident prevention regulations and general safety regulations for the pressure transmitter's range of use.
- The operating instructions are part of the product and must be kept in the immediate vicinity of the pressure transmitter and readily accessible to skilled personnel at any time.
- Skilled personnel must have carefully read and understood the operating instructions prior to beginning any work.
- The manufacturer's liability is void in the case of any damage caused by using the product contrary to its intended use, non-compliance with these operating instructions, assignment of insufficiently qualified skilled personnel or unauthorised modifications to the pressure transmitter.
- The general terms and conditions contained in the sales documentation shall apply.
- Subject to technical modifications.
- Further information:
 - Internet address: www.festo.com
 - Application consultant: Tel.: ++49/711/347-0

1. General information

Explanation of symbols



WARNING!

... indicates a potentially dangerous situation that can result in serious injury or death, if not avoided.



CAUTION!

... indicates a potentially dangerous situation that can result in light injuries or damage to equipment or the environment, if not avoided.



Information

... points out useful tips, recommendations and information for efficient and trouble-free operation.



CAUTION!

... indicates a potentially dangerous situation that can result in burns, caused by hot surfaces or liquids, if not avoided.

Abbreviations

2-wire Two of the connection lines are used for the power supply.
The measurement signal also provides the supply current.

3-wire Two of the connection lines are used for the power supply.
One connection line is used for the measurement signal.

U_B Positive power terminal

0V Negative power terminal

Out Positive measurement terminal

2. Safety

2. Safety

EN



WARNING!

Before installation, commissioning and operation, ensure that the appropriate pressure transmitter has been selected in terms of measuring range, design and specific measuring conditions. Non-observance can result in serious injury and/or damage to the equipment.



WARNING!

Open the connections only after the system has been depressurised.



Further important safety instructions can be found in the individual chapters of these operating instructions.

2.1 Intended use

The pressure transmitter is used to convert pressure into an electrical signal.

The instrument is exclusively intended for use in an industrial environment. In residential areas, measures for radio interference suppression may have to be taken.

The technical specifications contained in these operating instructions must be observed. Improper handling or operation of the pressure transmitter outside of its technical specifications requires the instrument to be taken out of service immediately and inspected by an authorised Festo service engineer.

The manufacturer shall not be liable for claims of any type based on operation contrary to the intended use.

2. Safety

2.2 Personnel qualification



WARNING!

Risk of injury if qualification is insufficient!

Improper handling can result in considerable injury and damage to equipment.

The activities described in these operating instructions may only be carried out by skilled personnel who have the qualifications described below.

Skilled personnel

Skilled personnel are understood to be personnel who, based on their technical training, knowledge of measurement and control technology and on their experience and knowledge of country-specific regulations, current standards and directives, are capable of carrying out the work described and independently recognising potential hazards.

Special operating conditions require further appropriate knowledge, e.g. of aggressive media.

2.3 Special hazards



WARNING!

For hazardous media such as oxygen, acetylene, flammable or toxic gases or liquids, and refrigeration plants, compressors, etc., in addition to all standard regulations, the appropriate existing codes or regulations must also be followed.



WARNING!

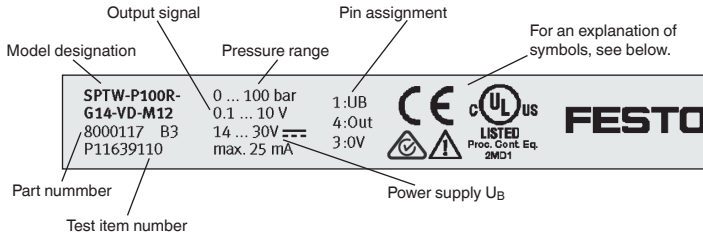
Residual media in dismantled pressure transmitters can result in a risk to persons, the environment and equipment.

Take sufficient precautionary measures.

2. Safety

2.4 Labelling / Safety marks

Product label



If the test item number becomes illegible (e.g. due to mechanical damage or overpainting), traceability will no longer be possible.

Explanation of symbols



General danger symbol



cULus, Underwriters Laboratories Inc.®

The instrument was inspected in accordance with the applicable US standards and certified by UL. Furthermore, instruments bearing this mark comply with the applicable Canadian standards on safety.



RCM

Instruments bearing this mark comply with the relevant Australian and New Zealand EMC directives.



CE, Communauté Européenne

Instruments bearing this mark comply with the relevant European directives.



Voltage DC

3. Specifications

3. Specifications

Specifications	SPTW									
Model designation	SPTW- ...	B2R	B11R	P2R	P6R	P10R	P16R	P25R	P50R	P100R
Start of measuring range	bar	-1	-1	0	0	0	0	0	0	0
End of measuring range	bar	1	10	2	6	10	16	25	50	100
Overpressure safety	bar	2	20	4	12	20	32	50	100	200
Service life		10 million load cycles								
Material										
■ Wetted parts										
- Process connection		Stainless steel 316L								
- Pressure sensor		Stainless steel 316L (from 0 ... 10 bar rel, 13-8 PH)								
■ Internal transmission fluid		Silicone oil (only for measuring ranges < 0 ... 10 bar)								
■ Case		Stainless steel 316L								
Power supply U_B ¹⁾	DC	8 ... 30 V 14 ... 30 V with output 0.1 ... 10 V								
Output signal and permissible max. resistive load R_A	R_A in ohm	4 ... 20 mA, 2-wire 0.1 ... 10 V, 3-wire				$R_A \leq (U_B - 8 V) / 0.02 A$ $R_A > 10 k$				
Settling time	ms	< 4								
Current supply	mA	Signal current, max. 25 for current output, max. 8 for voltage output								
Insulation voltage	DC	500 V								
Linearity	% FS	$\leq \pm 0.5$ (BFSL) per IEC 61298-2								
Accuracy ²⁾	% FS	$\leq \pm 1.0$								
Zero offset for the zero signal	% FS	≤ 0.5 typ., ≤ 0.8 max.								
Repeatability	% FS	≤ 0.1								
Long-term drift	% FS	≤ 0.1 per IEC 61298-2								
Signal noise	% FS	≤ 0.3								
Permissible temperature ranges										
■ Medium	°C	0 ... +80								
■ Ambient	°C	0 ... +80								
■ Storage	°C	-20 ... +80								

1) The power supply for the pressure transmitter must be made via an energy-limited electrical circuit per UL/EN/IEC 61010-1 or an LPS to UL/EN/IEC 60950-1 or class 2 per UL1310/UL1585 (NEC or CEC). The power supply must be suitable for operation above 2,000 m should the pressure transmitter be used at this altitude. Only ever use a power source that ensures a safe electrical isolation of the operating voltage in accordance with IEC/DIN EN 60204-1. In addition, observe the general requirements for PELV circuits in accordance with IEC/DIN EN 60204-1. Switching power supply units are permissible, if they ensure a safe isolation as defined by IEC/EN 60950-1.

2) Including linearity, hysteresis, zero offset and end value deviations (corresponds to measured error per IEC 61298-2). Calibrated in vertical mounting position with process connection facing downwards.

3. Specifications ... 5. Transport, packaging and storage

EN

Specifications	SPTW	
Rated temperature range	°C	0 ... +80
Temperature error in rated temperature range	% FS	≤ 1.0 typ., ≤ 2.5 max.
Approvals		cULus, RCM
CE symbol		to EU EMC directive
Shock resistance	g	500 ³⁾ per IEC 60068-2-27 (mechanical shock)
Vibration resistance	g	10 ³⁾ per IEC 60068-2-6 (vibration under resonance)
Overvoltage protection	DC	32 V, 36 V with 4 ... 20 mA
Short-circuit resistance		Out vs. 0V
Reverse polarity protection		U _B vs. 0V
Reference conditions		per IEC 61298-1
■ Range of use		for internal and external operation
■ Relative humidity	%	up to 90
Weight	g	approx. 80

3) Reduced value dependent upon the mechanical mounting

4. Design and function

4.1 Description

By means of a sensor element and by applying power, the prevailing pressure is converted into an amplified standardised electrical signal via the deformation of a diaphragm. This electrical signal varies in proportion to the pressure and can be evaluated accordingly.

5. Transport, packaging and storage

5.1 Transport

Check the instrument for any damage that may have been caused during transportation. Obvious damage must be reported immediately.

5. Transport, packaging and storage / 6. Commissioning, operation

5.2 Packaging

Do not remove packaging until just before mounting.

Keep the packaging as it will provide optimum protection during transport (e.g. change in installation site, sending for repair).

5.3 Storage

Permissible conditions at the place of storage:

- Storage temperature: -20 ... +80 °C
- Humidity: 45 ... 75 % relative humidity (no condensation)



WARNING!

Before storing the pressure transmitter (following operation), remove any residual media. This is of particular importance if the medium is hazardous to health, e.g. caustic, toxic, carcinogenic, radioactive, etc.

6. Commissioning, operation



Required tool: SW 27 open-ended spanner



CAUTION!

Prior to commissioning, the pressure transmitter must be subjected to a visual inspection.

- Leaking fluid is indicative of damage.
- Only use the pressure transmitter if it is in perfect condition with respect to safety.

6.1 Making the mechanical connection

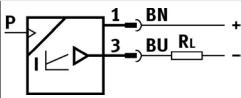

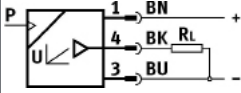
- Only ever screw in, or unscrew, the instrument via the spanner flats and to the prescribed torque using an appropriate tool. The correct torque depends on the dimensions of the process connection and the sealing used (form/material). When screwing in or unscrewing the instrument, do not use the case as a working surface.
- When screwing in, do not cross the threads.

6. Commissioning, operation

6.2 Making the electrical connection

- The instrument must be earthed via the process connection.
- The power supply for the pressure transmitter must be made via an energy-limited electrical circuit per UL/EN/IEC 61010-1 or an LPS to UL/EN/IEC 60950-1 or class 2 per UL1310/UL1585 (NEC or CEC). The power supply must be suitable for operation above 2,000 m should the pressure transmitter be used at this altitude.
- Only ever use a power source that ensures a safe electrical isolation of the operating voltage in accordance with IEC/DIN EN 60204-1. In addition, observe the general requirements for PELV circuits in accordance with IEC/DIN EN 60204-1. Switching power supply units are permissible, if they ensure a safe isolation as defined by IEC/EN 60950-1.
- Long signal lines reduce the immunity to interference. Ensure that the length of the signal cable is always shorter than 30 m. In this way you can avoid non-operate currents caused by electromagnetic interference.

Electrical connection

Description		Circular connector M12 x 1, 4-pin
2-wire Model: SPTW-....A		 $U_B = 1$ $0V = 3$
3-wire Model: SPTW-....VD		$U_B = 1$ $0V = 3$ Out = 4
Ingress protection per IEC 60529		IP 67 The stated ingress protection only applies when plugged in using mating connectors that have the appropriate ingress protection.

6.3 Functional check



The output signal must be proportional to the prevailing pressure. If this is not the case, this may indicate a damaged diaphragm. In this case, see chapter „8. Faults“.

6. Commissioning, operation / 7. Maintenance and cleaning



WARNING!

- Only open the connections once the system has been depressurised
- Observe the working conditions in accordance with chapter "3. Specifications".
- Always operate the pressure transmitter within the overpressure safety range!



WARNING!

When touching the pressure transmitter, please note that the surfaces of the instrument components can become hot during operation.

6.4 Accessories

Accessories can be found online at www.festo.com/catalogue.

7. Maintenance and cleaning

7.1 Maintenance

This instrument is maintenance-free. Repairs must only be carried out by the manufacturer.

7.2 Cleaning



CAUTION!

- Before cleaning, correctly disconnect the instrument from the pressure supply, switch it off and disconnect it from the mains.
- Clean the instrument with a moist cloth.
- Wash or clean the dismantled instrument before returning it in order to protect personnel and the environment from exposure to residual media.
- Residual media in dismantled instruments can result in a risk to persons, the environment and equipment. Take sufficient precautionary measures.
- Do not use any pointed or hard objects for cleaning, since the diaphragm of the process connection must not be damaged.



For information on returning the instrument see chapter „9.2 Return“.

8. Faults

8. Faults

First ensure that the system is under pressure (open valves/ball valves etc.) and that the correct power supply and correct wiring type (2-wire/3-wire) has been selected.

EN

Faults	Causes	Measures
No output signal	Cable break	Check the through drilling
Deviating zero point signal	Overpressure safety exceeded	Observe the permissible overpressure safety (see Chapter "3. Specifications")
Deviating zero point signal	Too high/low working temperature	Observe the permissible temperatures (see Chapter "3. Specifications")
Constant output signal upon change in pressure	Mechanical overload caused by overpressure	Replace instrument; if it fails repeatedly, contact the manufacturer
Signal span too small	Mechanical overload caused by overpressure	Replace instrument; if it fails repeatedly, contact the manufacturer
Signal span varies	EMC interference sources in the environment; for example, frequency converter	Shield instrument; cable shield; remove source of interference
Signal span varies/inaccurate	Too high/low working temperature	Observe the permissible temperatures (see Chapter "3. Specifications")
Signal span drops/too small	Signal span drops/too small	Contact manufacturer and replace instrument



CAUTION!

If faults cannot be eliminated by means of the measures listed above, the instrument must be shut down immediately, and it must be ensured that pressure and/or signal are no longer present, and it must be prevented from being inadvertently put back into service. In this case, contact the manufacturer. If a return is needed, follow the instructions given in chapter "9.2 Return".

9. Dismounting, return and disposal

9. Dismounting, return and disposal



WARNING!

Residual media in dismantled pressure transmitters can result in a risk to persons, the environment and equipment. Take sufficient precautionary measures.

9.1 Dismounting

Only disconnect the pressure transmitter once the system has been depressurised!

9.2 Return



WARNING!

Absolutely observe when shipping the pressure transmitter:

All pressure transmitters delivered to Festo must be free from any kind of hazardous substances (acids, leachate, solutions, etc.).

When returning the pressure transmitter, use the original packaging or a suitable transport package.

9.3 Disposal

Incorrect disposal can put the environment at risk.

Dispose of instrument components and packaging materials in an environmentally compatible way and in accordance with the country-specific waste disposal regulations.

Inhalt

1. Allgemeines	18
2. Sicherheit	20
3. Technische Daten	23
4. Aufbau und Funktion	24
5. Transport, Verpackung und Lagerung	25
6. Inbetriebnahme, Betrieb	26
7. Wartung und Reinigung	28
8. Störungen	29
9. Demontage, Rücksendung und Entsorgung	30

DE

1. Allgemeines

1. Allgemeines

- Diese Betriebsanleitung gibt wichtige Hinweise zum Umgang mit dem Drucktransmitter. Voraussetzung für sicheres Arbeiten ist die Einhaltung aller angegebenen Sicherheitshinweise und Handlungsanweisungen.
- Die für den Einsatzbereich des Drucktransmitters geltenden örtlichen Unfallverhütungsvorschriften und allgemeinen Sicherheitsbestimmungen einhalten.
- Die Betriebsanleitung ist Produktbestandteil und muss in unmittelbarer Nähe des Drucktransmitters für das Fachpersonal jederzeit zugänglich aufbewahrt werden.
- Das Fachpersonal muss die Betriebsanleitung vor Beginn aller Arbeiten sorgfältig durchgelesen und verstanden haben.
- Die Haftung des Herstellers erlischt bei Schäden durch bestimmungswidrige Verwendung, Nichtbeachten dieser Betriebsanleitung, Einsatz ungenügend qualifizierten Fachpersonals sowie eigenmächtiger Veränderung am Drucktransmitter.
- Es gelten die allgemeinen Geschäftsbedingungen in den Verkaufsunterlagen.
- Technische Änderungen vorbehalten.
- Weitere Informationen:
 - Internet-Adresse: www.festo.com
 - Anwendungsberater: Tel.: ++49/711/347-0

DE

1. Allgemeines

Symbolerklärung



WARNUNG!

... weist auf eine möglicherweise gefährliche Situation hin, die zum Tod oder zu schweren Verletzungen führen kann, wenn sie nicht gemieden wird.



VORSICHT!

... weist auf eine möglicherweise gefährliche Situation hin, die zu geringfügigen oder leichten Verletzungen bzw. Sach- und Umweltschäden führen kann, wenn sie nicht gemieden wird.



Information

... hebt nützliche Tipps und Empfehlungen sowie Informationen für einen effizienten und störungsfreien Betrieb hervor.



VORSICHT!

... weist auf eine möglicherweise gefährliche Situation hin, die durch heiße Oberflächen oder Flüssigkeiten zu Verbrennungen führen kann, wenn sie nicht gemieden wird.

Abkürzungen

- 2-Leiter Zwei Anschlussleitungen dienen zur Spannungsversorgung.
Der Speisestrom ist das Messsignal
- 3-Leiter Zwei Anschlussleitungen dienen zur Spannungsversorgung.
Eine Anschlussleitung dient für das Messsignal
- UB Positiver Versorgungsanschluss
- 0V Negativer Versorgungsanschluss
- Out Positiver Messanschluss

2. Sicherheit

2. Sicherheit



WARNUNG!

Vor Montage, Inbetriebnahme und Betrieb sicherstellen, dass der richtige Drucktransmitter hinsichtlich Messbereich, Ausführung und spezifischen Messbedingungen ausgewählt wurde. Bei Nichtbeachten können schwere Körperverletzungen und/oder Sachschäden auftreten.



WARNUNG!

Anschlüsse nur im drucklosen Zustand öffnen.



Weitere wichtige Sicherheitshinweise befinden sich in den einzelnen Kapiteln dieser Betriebsanleitung.

2.1 Bestimmungsgemäße Verwendung

Der Drucktransmitter dient zum Umwandeln von Druck in ein elektrisches Signal.

Der Drucktransmitter ist ausschließlich für industrielle Zwecke geeignet. In Wohnbereichen müssen evtl. Maßnahmen zur Funkentstörung getroffen werden.

Die technischen Spezifikationen in dieser Betriebsanleitung sind einzuhalten. Eine unsachgemäße Handhabung oder ein Betreiben des Drucktransmitters außerhalb der technischen Spezifikationen macht die sofortige Stilllegung und Überprüfung durch einen autorisierten Festo-Service-Mitarbeiter erforderlich.

Ansprüche jeglicher Art aufgrund von nicht bestimmungsgemäßer Verwendung sind ausgeschlossen.

2. Sicherheit

2.2 Personalqualifikation



WARNUNG!

Verletzungsgefahr bei unzureichender Qualifikation!

Unsachgemäßer Umgang kann zu erheblichen Personen- und Sachschäden führen. Die in dieser Betriebsanleitung beschriebenen Tätigkeiten nur durch Fachpersonal nachfolgend beschriebener Qualifikation durchführen lassen.

Fachpersonal

Das Fachpersonal ist aufgrund seiner fachlichen Ausbildung, seiner Kenntnisse der Mess- und Regelungstechnik und seiner Erfahrungen sowie Kenntnis der landesspezifischen Vorschriften, geltenden Normen und Richtlinien in der Lage, die beschriebenen Arbeiten auszuführen und mögliche Gefahren selbstständig zu erkennen.

Spezielle Einsatzbedingungen verlangen weiteres entsprechendes Wissen, z. B. über aggressive Medien.

2.3 Besondere Gefahren



WARNUNG!

Bei gefährlichen Messstoffen wie z. B. Sauerstoff, Acetylen, brennbaren oder giftigen Stoffen, sowie bei Kälteanlagen, Kompressoren etc. müssen über die gesamten allgemeinen Regeln hinaus die einschlägigen Vorschriften beachtet werden.



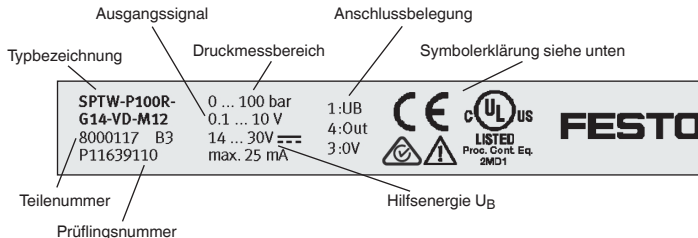
WARNUNG!

Messstoffreste in ausgebauten Drucktransmittern können zur Gefährdung von Personen, Umwelt und Einrichtung führen. Ausreichende Vorsichtsmaßnahmen ergreifen.

2. Sicherheit

2.4 Beschilderung / Sicherheitskennzeichnungen

Typenschild



Wird die Prüfungsnummer unleserlich (z. B. durch mechanische Beschädigung oder Übermalen), ist eine Rückverfolgbarkeit nicht mehr möglich.

Symbolerklärung



Allgemeines Gefahrensymbol



cULus, Underwriters Laboratories Inc.®

Das Gerät wurde nach den anwendbaren US-amerikanischen Normen geprüft und von UL zertifiziert.

Geräte mit dieser Kennzeichnung stimmen außerdem überein mit den anwendbaren kanadischen Normen zur Sicherheit.



RCM

Geräte mit dieser Kennzeichnung erfüllen die zutreffenden Australischen und Neuseeländischen EMV-Richtlinien.



CE, Communauté Européenne

Geräte mit dieser Kennzeichnung stimmen überein mit den zutreffenden europäischen Richtlinien.



Gleichspannung

3. Technische Daten

3. Technische Daten

Technische Daten		SPTW								
Typenbezeichnung	SPTW- ...	B2R	B11R	P2R	P6R	P10R	P16R	P25R	P50R	P100R
Messbereichsanfang	bar	-1	-1	0	0	0	0	0	0	0
Messbereichsende	bar	1	10	2	6	10	16	25	50	100
Überlastgrenze	bar	2	20	4	12	20	32	50	100	200
Lebensdauer		10 Mio. Lastwechsel								
Werkstoff										
■ Messstoffberührte Teile										
- Prozessanschluss		CrNi-Stahl 316L								
- Drucksensor		CrNi-Stahl 316L (ab 0 ... 10 bar rel 13-8 PH)								
- Interne Übertragungsflüssigkeit		Silikonöl (nur für Messbereiche < 0 ... 10 bar)								
■ Gehäuse		CrNi-Stahl 316L								
Hilfsenergie U_B ¹⁾	DC	8 ... 30 V 14 ... 30 V bei Ausgang 0,1 ... 10 V								
Ausgangssignal und zulässige max. ohmsche Bürde R_A	R_A in Ohm	4 ... 20 mA, 2-Leiter 0,1 ... 10 V, 3-Leiter					$R_A \leq (U_B - 8 V) / 0,02 A$ $R_A > 10 k$			
Einschwingzeit	ms	< 4								
Stromaufnahme	mA	Signalstrom, max. 25 für Stromausgang, max. 8 für Spannungsausgang								
Isolationsspannung	DC	500 V								
Linearität	% FS	$\leq \pm 0,5$ (BFSL) nach IEC 61298-2								
Genauigkeit ²⁾	% FS	$\leq \pm 1,0$								
Ableichgenauigkeit des Nullsignals	% FS	$\leq 0,5$ typ., $\leq 0,8$ max.								
Wiederholgenauigkeit	% FS	$\leq 0,1$								
Langzeitdrift	% FS	$\leq 0,1$ nach IEC 61298-2								
Signalrauschen	% FS	$\leq 0,3$								
Zulässige Temperaturbereiche										
■ Messstoff	°C	0 ... +80								
■ Umgebung	°C	0 ... +80								
■ Lagerung	°C	-20 ... +80								

DE

1) Die Versorgung des Drucktransmitters muss durch einen energiebegrenzten Stromkreis gemäß UL/EN/IEC 61010-1 oder LPS gemäß UL/EN/IEC 60950-1 oder Klasse 2 gemäß UL1310/UL1585 (NEC oder CEC) erfolgen. Die Stromversorgung muss für den Betrieb oberhalb 2.000 m geeignet sein, falls der Drucktransmitter ab dieser Höhe verwendet wird. Verwenden Sie ausschließlich Stromquellen, die eine sichere elektrische Trennung der Betriebsspannung nach IEC/EN 60204-1 gewährleisten. Berücksichtigen Sie zusätzlich die allgemeinen Anforderungen an PELV-Stromkreise gemäß IEC/DIN EN 60204-1. Schaltnetzteile sind zulässig, wenn sie die sichere Trennung im Sinne der IEC/EN 60950-1 gewährleisten.

2) Einschließlich Linearität, Hysterese, Nullpunkt- und Endwertabweichung (entspricht Messabweichung nach IEC 61298-2). Kalibriert bei senkrechter Einbaulage mit dem Prozessanschluss nach unten.

3. ... / 4. Aufbau und Funktion / 5. Transport, Verpackung ...

Technische Daten		SPTW
Nenntemperaturbereich	°C	0 ... +80
Temperaturfehler im Nenntemperaturbereich	% FS	≤ 1,0 typ., ≤ 2,5 max.
Zulassungen		cULus, RCM
CE-Zeichen		nach EU-EMV-RL
Schockbelastbarkeit	g	500 ³⁾ nach IEC 60068-2-27 (Schock mechanisch)
Vibrationsbelastbarkeit	g	10 ³⁾ nach IEC 60068-2-6 (Vibration bei Resonanz)
Überspannungsschutz	DC	32 V, 36 V bei 4 ... 20 mA
Kurzschlussfestigkeit		Out gegen 0V
Verpolschutz		U _B gegen 0V
Referenzbedingungen		nach IEC 61298-1
■ Einsatzbereich		für Innen- und Außeneinsatz
■ Relative Luftfeuchte	%	bis zu 90
Gewicht	g	ca. 80

3) Reduzierter Wert in Abhängigkeit der mechanischen Befestigung

4. Aufbau und Funktion

4.1 Beschreibung

Mittels Sensorelement und unter Zuführung von Hilfsenergie wird über die Verformung einer Membrane der anstehende Druck in ein verstärktes standardisiertes elektrisches Signal umgewandelt. Dieses elektrische Signal verändert sich proportional zum Druck und kann entsprechend ausgewertet werden.

5. Transport, Verpackung und Lagerung

5.1 Transport

Gerät auf eventuell vorhandene Transportschäden untersuchen.
Offensichtliche Schäden unverzüglich mitteilen.

5. Transport, Verpackung und Lagerung

5.2 Verpackung

Verpackung erst unmittelbar vor der Montage entfernen.

Die Verpackung aufbewahren, denn diese bietet bei einem Transport einen optimalen Schutz (z. B. wechsellagerung der Einbauart, Reparatursendung).

5.3 Lagerung

Zulässige Bedingungen am Lagerort:

- Lagertemperatur: -20 ... +80 °C
- Feuchtigkeit: 45 ... 75 % relative Feuchte (keine Betauung)



WARNUNG!

Vor der Einlagerung des Drucktransmitters (nach Betrieb) alle anhaftenden Messstoffreste entfernen. Dies ist besonders wichtig, wenn der Messstoff gesundheitsgefährdend ist, wie z. B. ätzend, giftig, krebserregend, radioaktiv, usw.

DE

6. Inbetriebnahme, Betrieb



Benötigtes Werkzeug: Gabelschlüssel SW 27



VORSICHT!

Vor der Inbetriebnahme den Drucktransmitter optisch prüfen.

- Auslaufende Flüssigkeit weist auf eine Beschädigung hin.
- Den Drucktransmitter nur in sicherheitstechnisch einwandfreiem Zustand einsetzen.

6.1 Montage mechanischer Anschluss

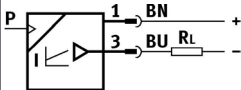
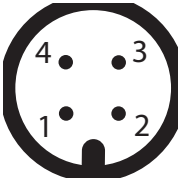
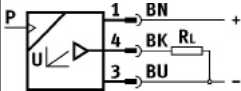
- Das Gerät nur über die Schlüsselflächen mit einem geeigneten Werkzeug und dem vorgeschriebenen Drehmoment ein- bzw. ausschrauben. Das richtige Drehmoment ist abhängig von der Dimension des Prozessanschlusses sowie der verwendeten Dichtung (Form/Werkstoff). Beim Ein- bzw. Ausschrauben nicht das Gehäuse als Angriffsfläche verwenden.
- Beim Einschrauben die Gewindegänge nicht verkanten.

6. Inbetriebnahme, Betrieb

6.2 Montage elektrischer Anschluss

- Das Gerät über den Prozessanschluss erden.
- Die Versorgung des Drucktransmitters muss durch einen energiebegrenzten Stromkreis gemäß 9.3 der UL/EN/IEC 61010-1 oder LPS gemäß UL/EN/IEC 60950-1 oder Class 2 gemäß UL1310/UL1585 (NEC oder CEC) erfolgen. Die Stromversorgung muss für den Betrieb oberhalb 2.000 m geeignet sein, falls der Drucktransmitter ab dieser Höhe verwendet wird.
- Lange Signalleitungen reduzieren die Störfestigkeit. Sicherstellen, dass die Signalleitungslänge stets kleiner als 30m ist. Dadurch werden Fehlströme durch elektromagnetische Felder vermieden.

Elektrische Anschlüsse

Bezeichnung		Rundstecker M12 x 1, 4-polig	
2-Leiter Typ: SPTW-... A		$U_B = 1$ $0V = 3$	
3-Leiter Typ: SPTW-... VD		$U_B = 1$ $0V = 3$ Out = 4	
Schutzart nach IEC 60529		IP 67 Die angegebene Schutzart gilt nur im gesteckten Zustand mit Gegensteckern entsprechender Schutzart.	

6.3 Funktionsprüfung



Das Ausgangssignal muss sich dem anstehenden Druck proportional verhalten. Wenn dies nicht so ist, kann das ein Hinweis auf eine Beschädigung der Membrane sein. In diesem Fall in Kapitel „8.Störungen“ nachlesen.



WARNUNG!

- Anschlüsse nur im drucklosen Zustand öffnen
- Betriebsparameter gemäß Kapitel „3.Technische Daten“ beachten.
- Drucktransmitter immer innerhalb des Überlastgrenzbereichs betreiben!

6. Inbetriebnahme, Betrieb / 7. Wartung und Reinigung



WARNUNG!

Beim Berühren des Drucktransmitter beachten, dass die Oberflächen der Gerätekomponenten während des Betriebes heiß werden können.

6.4 Zubehör

Zubehör ist online unter www.festo.com/catalogue zu finden.

DE

7. Wartung und Reinigung

7.1 Wartung

Dieses Gerät ist wartungsfrei.

Reparaturen sind ausschließlich vom Hersteller durchzuführen.

7.2 Reinigung



VORSICHT!

- Vor der Reinigung das Gerät ordnungsgemäß von der Druckversorgung trennen, ausschalten und vom Netz trennen.
- Das Gerät mit einem feuchten Tuch reinigen.
- Ausgebautes Gerät vor der Rücksendung spülen bzw. säubern, um Personen und Umwelt vor Gefährdung durch anhaftende Messstoffreste zu schützen.
- Messstoffreste in ausgebauten Geräten können zur Gefährdung von Personen, Umwelt und Einrichtung führen.
Ausreichende Vorsichtsmaßnahmen ergreifen.
- Keine spitzen bzw. harten Gegenstände zur Reinigung verwenden, denn die Membrane des Prozessanschlusses darf nicht beschädigt werden.



Hinweise zur Rücksendung des Gerätes siehe Kapitel „9.2 Rücksendung“.

8. Störungen

8. Störungen

Vorab sicherstellen, dass kein Druck ansteht (Ventile/Kugelhahn usw. offen) und dass die richtige Spannungsversorgung und die richtige Verdrahtungsart (2-Leiter/3-Leiter) gewählt wurde.

DE

Störungen	Ursachen	Maßnahmen
Kein Ausgangssignal	Leitungsbruch	Durchgang überprüfen
Abweichendes Nullpunktsignal	Überlastgrenze überschritten	Zulässige Überlastgrenze einhalten (siehe Kapitel „3.Technische Daten“)
Abweichendes Nullpunktsignal	Zu hohe/niedrige Einsatztemperatur	Zulässige Temperaturen einhalten (siehe Kapitel „3.Technische Daten“)
Gleichbleibendes Ausgangssignal bei Druckänderung	Mechanische Überlastung durch Überdruck	Gerät austauschen; bei wiederholtem Ausfall Rücksprache mit Hersteller
Signalspanne zu klein	Mechanische Überlastung durch Überdruck	Gerät austauschen; bei wiederholtem Ausfall Rücksprache mit Hersteller
Signalspanne schwankend	EMV-Störquellen in Umgebung, z. B. Frequenzumrichter	Gerät abschirmen; Leitungsabschirmung; Störquelle entfernen
Signalspanne schwankend/ungenau	Zu hohe/niedrige Einsatztemperatur	Zulässige Temperaturen einhalten (siehe Kapitel „3.Technische Daten“)
Signalspanne fällt ab/zu klein	Signalspanne fällt ab/zu klein	Hersteller kontaktieren und Gerät austauschen



VORSICHT!

Können Störungen mit Hilfe der oben aufgeführten Maßnahmen nicht beseitigt werden, ist das Gerät unverzüglich außer Betrieb zu setzen, sicherzustellen, dass kein Druck bzw. Signal mehr anliegt und gegen versehentliche Inbetriebnahme zu schützen. In diesem Falle Kontakt mit dem Hersteller aufnehmen. Bei notwendiger Rücksendung die Hinweise unter Kapitel „9.2 Rücksendung“ beachten.

9. Demontage, Rücksendung und Entsorgung

9. Demontage, Rücksendung und Entsorgung



WARNUNG!

Messstoffreste in ausgebauten Drucktransmittern können zur Gefährdung von Personen, Umwelt und Einrichtung führen. Ausreichende Vorsichtsmaßnahmen ergreifen.

9.1 Demontage

Drucktransmitter nur im drucklosen Zustand demontieren!

9.2 Rücksendung



WARNUNG!

Beim Versand des Drucktransmitters unbedingt beachten:

Alle an Festo gelieferten Drucktransmitter müssen frei von Gefahrstoffen (Säuren, Laugen, Lösungen, etc.) sein.

Zur Rücksendung des Drucktransmitters die Originalverpackung oder eine geeignete Transportverpackung verwenden.

9.3 Entsorgung

Durch falsche Entsorgung können Gefahren für die Umwelt entstehen.

Gerätekomponenten und Verpackungsmaterialien entsprechend den landesspezifischen Abfallbehandlungs- und Entsorgungsvorschriften umweltgerecht entsorgen.



DE

Sommaire

1. Généralités	32
2. Sécurité	34
3. Spécifications	37
4. Conception et fonction	38
5. Transport, emballage et stockage	38
6. Mise en service, exploitation	39
7. Entretien et nettoyage	41
8. Dysfonctionnements	42
9. Démontage, retour et mise au rebut	43

1. Généralités

1. Généralités

- Ce mode d'emploi donne des indications importantes concernant l'utilisation du Transmetteur de pression. Il est possible de travailler en toute sécurité avec ce produit en respectant toutes les consignes de sécurité et d'utilisation.
- Respecter les prescriptions locales de prévention contre les accidents et les prescriptions générales de sécurité en vigueur pour le domaine d'application du Transmetteur de pression.
- Le mode d'emploi fait partie du produit et doit être conservé à proximité immédiate du Transmetteur de pression et accessible à tout moment pour le personnel qualifié.
- Le personnel qualifié doit, avant de commencer toute opération, avoir lu soigneusement et compris le mode d'emploi.
- La responsabilité du fabricant n'est pas engagée en cas de dommages provoqués par une utilisation non conforme à l'usage prévu, de non respect de ce mode d'emploi, d'utilisation de personnel peu qualifié de même qu'en cas de modifications du Transmetteur de pression effectuées par l'utilisateur.
- Les conditions générales de vente mentionnées dans les documents de vente s'appliquent.
- Sous réserve de modifications techniques.
- Pour obtenir d'autres informations :
 - Consulter notre site internet : www.festo.com
 - Conseiller applications : Tel.: ++49/711/347-0

FR

1. Généralités

Explication des symboles



AVERTISSEMENT !

... indique une situation présentant des risques susceptibles de provoquer la mort ou des blessures graves si elle n'est pas évitée.



ATTENTION !

... indique une situation potentiellement dangereuse et susceptible de provoquer de légères blessures ou des dommages matériels et pour l'environnement si elle n'est pas évitée.



Information

... met en exergue les conseils et recommandations utiles de même que les informations permettant d'assurer un fonctionnement efficace et normal.



ATTENTION !

... indique une situation présentant des risques susceptibles de provoquer des brûlures dues à des surfaces ou liquides chauds si elle n'est pas évitée.

Abréviations

- 2 fils Deux câbles de raccordement sont utilisés pour l'alimentation.
Le signal de mesure fournit également le courant d'alimentation.
- 3 fils Deux câbles de raccordement sont utilisés pour l'alimentation.
Un câble de raccordement est utilisé pour le signal de mesure.
- U_B Borne de courant positive
- 0V Borne de courant négative
- Out Borne de mesure positive

2. Sécurité

2. Sécurité



AVERTISSEMENT !

Avant le montage, la mise en service et le fonctionnement, s'assurer que le Transmetteur de pression a été choisi de façon adéquate, en ce qui concerne l'étendue de mesure, la version et les conditions de mesure spécifiques.

Un non-respect de cette consigne peut entraîner des blessures corporelles graves et/ou des dégâts matériels.



AVERTISSEMENT !

N'ouvrez les connexions qu'après que le système ait été dépressurisé.



Vous trouverez d'autres consignes de sécurité dans les sections individuelles du présent mode d'emploi.

2.1 Utilisation conforme à l'usage prévu

Le Transmetteur de pression permet de convertir la pression en un signal électrique.

L'instrument est destiné à être utilisé exclusivement en environnement industriel. Des mesures contre les interférences radio doivent éventuellement être prises en zone résidentielle.

Les spécifications techniques mentionnées dans ce mode d'emploi doivent être respectées. En cas d'utilisation inadéquate ou de fonctionnement du Transmetteur de pression en dehors des spécifications techniques, un arrêt et contrôle doivent être immédiatement effectués par un collaborateur autorisé du service de Festo.

Aucune réclamation ne peut être recevable en cas d'utilisation non conforme à l'usage prévu.

2. Sécurité

2.2 Qualification du personnel



AVERTISSEMENT !

Danger de blessure en cas de qualification insuffisante!

Une utilisation non conforme peut entraîner d'importants dommages corporels et matériels.

Les opérations décrites dans ce mode d'emploi ne doivent être effectuées que par un personnel ayant la qualification décrite ci-après.

Personnel qualifié

Le personnel qualifié est, en raison de sa formation spécialisée, de ses connaissances dans le domaine de la technique de mesure et de régulation et de ses expériences de même que de sa connaissance des prescriptions nationales, des normes et directives en vigueur, en mesure d'effectuer les travaux décrits et de reconnaître automatiquement les dangers potentiels.

Les conditions d'utilisation spéciales exigent également une connaissance adéquate par exemple des liquides agressifs.

2.3 Dangers particuliers



AVERTISSEMENT !

Dans le cas de fluides de mesure dangereux comme notamment l'oxygène, l'acétylène, les substances combustibles ou toxiques, ainsi que dans le cas d'installations de réfrigération, de compresseurs etc., les directives appropriées existantes doivent être observées en plus de l'ensemble des règles générales.



AVERTISSEMENT !

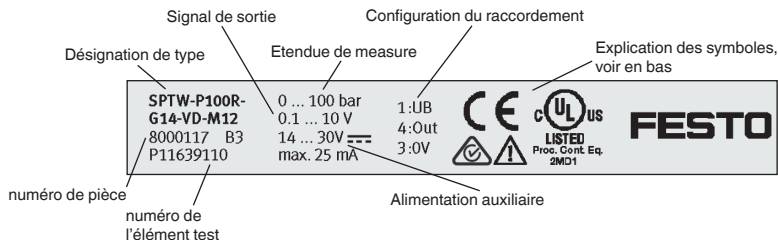
Les restes de fluides se trouvant dans les transmetteurs de processus démontés peuvent mettre en danger les personnes, l'environnement ainsi que l'installation.

Prendre des mesures de sécurité suffisantes.

2. Sécurité

2.4 Etiquetage / Marquages de sécurité

Plaque signalétique



Si le numéro de l'élément test devient illisible (par ex. à cause de dommages mécaniques ou de peinture), aucune traçabilité n'est plus possible.

Explication des symboles



Symbole général de danger



cULus, Underwriters Laboratories Inc.®

L'instrument a été contrôlé en conformité avec les normes américaines applicables et certifié par UL. Par ailleurs, les instruments avec ce marquage sont conformes aux normes canadiennes de sécurité applicables.



RCM

Les instruments avec ce marquage sont conformes aux directives australiennes et néo-zélandaises pertinentes.



CE, Communauté Européenne

Les instruments avec ce marquage sont conformes aux directives européennes pertinentes.

Tension DC

3. Spécifications

3. Spécifications

Spécifications		SPTW								
Désignation de type	SPTW- ...	B2R	B11R	P2R	P6R	P10R	P16R	P25R	P50R	P100R
Démarrage de l'étendue de mesure	bar	-1	-1	0	0	0	0	0	0	0
Fin de l'étendue de mesure	bar	1	10	2	6	10	16	25	50	100
Surpression admissible	bar	2	20	4	12	20	32	50	100	200
Durée de vie		10 millions de cycles de pression								
Matériau										
■ Pièces en contact avec le fluide										
- Raccord process		Acier inox 316L								
- Capteur de pression		Acier inox 316L (de 0 ... 10 bar rel, 13-8 PH)								
■ Liquide de transmission interne		Huile silicone (seulement pour étendues de mesure < 0 ... 10 bar)								
■ Boîtier		Acier inox 316L								
Alimentation U_B ¹⁾	DC	8 ... 30 V 14 ... 30 V avec sortie 0,1 ... 10 V								
Signal de sortie et charge résistive max admissible R_A	R_A en Ohms	4 ... 20 mA, 2 fils 0,1 ... 10 V, 3 fils					$R_A \leq (U_B - 8 V) / 0,02 A$ $R_A > 10 k$			
Durée de stabilisation	ms	< 4								
Alimentation en courant	mA	Courant de signal, max. 25 pour sortie de courant max. 8 pour sortie de tension								
Tension d'isolation	DC	500 V								
Linéarité	% FS	$\leq \pm 0,5$ (BFSL) selon IEC 61298-2								
Précision ²⁾	% FS	$\leq \pm 1,0$								
Déviations du point zéro pour le signal de point zéro	% FS	$\leq 0,5$ typ. $\leq 0,8$ max.								
Répétabilité	% FS	$\leq 0,1$								
Dérive à long terme	% FS	$\leq 0,1$ selon IEC 61298-2								
Parasite sur signal	% FS	$\leq 0,3$								
Plages de température admissibles										
■ Fluide	°C	0 ... +80								
■ Ambiante	°C	0 ... +80								
■ Stockage	°C	-20 ... +80								

1) L'alimentation d'un Transmetteur de pression doit être faite par un circuit électrique limité en énergie en accord avec UL/EN/IEC 61010-1, ou un LPS à UL/EN/IEC 60950-1, ou Classe 2 en accord avec UL1310/UL1585 (NEC ou CEC). L'alimentation doit être capable de fonctionner au-dessus de 2 000 m dans le cas où le Transmetteur de pression serait utilisé à cette altitude.

2) Y compris la linéarité, l'hystérésis, les déviations de valeur de point zéro et à grande échelle (correspond à une erreur mesurée en accord avec CEI 61298-2) Calibré en position de montage verticale avec le raccord process regardant vers le bas.

3. Spécifications ... 5. Transport, emballage et stockage

Spécifications	SPTW	
Plage de température nominale	°C	0 ... +80
Erreur de température dans la plage de température nominale	% FS	≤ 1,0 typ., ≤ 2,5 max.
Homologations		cULus, RCM
Marquage CE		selon EU-EMV-RL
Résistance aux chocs	g	500 ³⁾ selon IEC 60068-2-27 (choc mécanique)
Résistance aux vibrations	g	10 ³⁾ selon IEC 60068-2-6 (vibration sous résonance)
Parafoudre	DC	32 V, 36 V avec 4 ... 20 mA
Résistance court-circuit		Out vs. 0V
Protection contre l'inversion de polarité		U _B vs. 0V
Conditions de référence		selon IEC 60751
■ Domaine d'application		à usage interne et externe
■ Humidité relative	%	jusqu'à 90
Poids	g	env. 80

3) Valeur réduite dépendant du montage mécanique

4. Conception et fonction

4.1 Description

Un élément capteur et l'application de courant permettent de convertir la pression disponible en un signal électrique standardisé et amplifié par la déformation d'une membrane. Ce signal électrique varie en fonction de la pression et peut être évalué.

5. Transport, emballage et stockage

5.1 Transport

Vérifier s'il existe des dégâts sur l'instrument liés au transport.
Communiquer immédiatement les dégâts constatés.

5. Transport, emballage et stockage / 6. Mise en service, exploitation

5.2 Emballage

N'enlever l'emballage qu'avant le montage.

Conserver l'emballage, celui-ci offre, lors d'un transport, une protection optimale (par ex. changement de lieu d'utilisation, renvoi pour réparation).

5.3 Stockage

Conditions admissibles sur le lieu de stockage :

- Température de stockage : -20 ... +80 °C
- Humidité : 45 ... 75 % humidité relative (pas de formation de rosée)



AVERTISSEMENT !

Enlevez tous les restes de fluides adhérents avant l'entreposage du Transmetteur de pression (après le fonctionnement). Ceci est particulièrement important lorsque le fluide représente un danger pour la santé, comme p. ex. des substances corrosives, toxiques, cancérigènes, radioactives etc.

FR

6. Mise en service, exploitation



Outil requis : Ouverture de clé (SW) 27 clé à fourche



ATTENTION !

Avant la mise en service, le Transmetteur de pression doit être soumis à un contrôle visuel.

- Une fuite de liquide indique que le transmetteur est endommagé.
- Le Transmetteur de pression ne doit être utilisé qu'en parfait état de sécurité technique.

6.1 Raccordement mécanique

- Ne vissez ou ne dévissez l'instrument qu'avec les pans de la clé et avec le couple prescrit en utilisant un outil approprié. Le couple correct dépend des dimensions du raccord process et du joint utilisé (forme/ matériau). Lorsque vous vissez ou dévissez le transmetteur de pression, n'utilisez pas le boîtier pour effectuer cette opération.
- Lorsque vous vissez, ne pas croiser les filets.

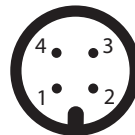
6. Mise en service, exploitation

6.2 Raccordement électrique

- L'instrument doit être mis à la terre à l'aide du branchement de process.
- L'alimentation d'un Transmetteur de pression doit être faite par un circuit électrique limité en énergie en accord avec la Section 9.3 de UL/EN/IEC 61010-1, ou un LPS à UL/EN/IEC 60950-1, ou Class 2 en accord avec UL1310/UL1585 (NEC ou CEC). L'alimentation doit être capable de fonctionner au-dessus de 2 000 m dans le cas où le Transmetteur de pression serait utilisé à cette altitude.
- L'utilisation de longs câbles réduit l'immunité aux perturbations. S'assurer que la longueur des câbles de signaux reste inférieure à 30 m. On évite ainsi les courants de fuite induits par des champs parasites électromagnétiques

Raccordements électriques

Description	Connecteur circulaire M12 x 1, 4 plots	
2 fils Type: SPTW-....A		$U_B = 1$ $0V = 3$
3 fils Type: SPTW-....VD		$U_B = 1$ $0V = 3$ Out = 4
Indice de protection selon IEC 60529	IP 67 L'indice de protection mentionné n'est valable que lorsque le contre-connecteur auquel est raccordé la sonde de temp. possède également l'indice de protection requis.	



6.3 Contrôle de fonctionnement



Le signal de sortie doit être proportionnel à la pression disponible. Si cela n'est pas le cas, cela pourrait indiquer un endommagement de la membrane. Dans ce cas, voir le chapitre "8. Dysfonctionnements".



AVERTISSEMENT !

- N'ouvrez les connexions qu'après que le système ait été dépressurisé
- Observez les conditions de fonctionnement conformément au chapitre "3. Spécifications".
- Ne faites fonctionner le Transmetteur de pression que dans l'échelle de sécurité contre la surpression !

6. Mise en service, exploitation / 7. Entretien et nettoyage



AVERTISSEMENT !

Lors de tout contact avec le Transmetteur de pression, notez que les surfaces de l'instrument peuvent devenir chaudes lors du fonctionnement.

6.4 Accessoires

Accessoires se trouvent sur www.festo.com/catalogue.

FR

7. Entretien et nettoyage

7.1 Entretien

Cet instrument ne nécessite aucun entretien.

Les réparations ne doivent être effectuées que par le fabricant.

7.2 Nettoyage



ATTENTION !

- Avant le nettoyage, il est impératif de mettre l'instrument hors pression, de le mettre hors circuit et de le séparer du secteur.
- Nettoyer l'instrument avec un chiffon humide.
- Laver ou nettoyer l'instrument démonté avant de le renvoyer pour protéger le personnel et l'environnement contre l'exposition à des restes de fluides.
- Les restes de fluides se trouvant dans les instruments démontés peuvent mettre en danger les personnes, l'environnement ainsi que l'installation. Prendre des mesures de sécurité suffisantes.
- Ne pas utiliser d'objets pointus ou durs pour le nettoyage, car la membrane du raccord process ne doit pas être endommagée.



Indications concernant le retour de l'instrument, voir chapitre „9.2 Retour“.

8. Dysfonctionnements

8. Dysfonctionnements

Assurez d'abord que le système est sous pression (robinets/robinets à rotule ouverts etc.) et l'alimentation et le type de branchement (2 / 3 fils) sont corrects.

Dysfonctionnements	Raisons	Mesures
Pas de signal de sortie	Câble sectionné	Vérifier le perçage
Déviations du signal de point zéro	Surpression admissible dépassée	Observer l'échelle de sécurité contre la surpression admissible (voir chapitre "3. Spécifications")
Déviations du signal de point zéro	Température de fonctionnement trop élevée/ trop basse	Observer les températures admissibles (voir chapitre "3. Spécifications")
Signal de sortie constant après une variation de pression	Surcharge mécanique causé par une surpression	Remplacer l'instrument ; s'il tombe en panne de manière répétée, contacter le fabricant
Plage de signaux trop petite	Surcharge mécanique causé par une surpression	Remplacer l'instrument ; s'il tombe en panne de manière répétée, contacter le fabricant
Le signal de sortie varie	Sources d'interférence CEM dans l'environnement ; par ex. convertisseur de fréquence	Utiliser un blindage pour l'instrument; câble blindé; Se débarrasser de la source d'interférences.
Plage de signaux varie/n'est pas précis	Température de fonctionnement trop élevée/ trop basse	Observer les températures admissibles (voir chapitre "3. Spécifications")
Plage de signaux tombe/trop petite	Plage de signaux tombe/trop petite	Contactez le fabricant et remplacez l'instrument



ATTENTION !

Si des dysfonctionnements ne peuvent pas être éliminés à l'aide des mesures indiquées ci-dessus, l'instrument doit être immédiatement mis hors service, il faut s'assurer qu'aucune pression ou qu'aucun signal n'est plus disponible et le protéger contre toute mise en service involontaire. Contacter dans ce cas le fabricant. S'il est nécessaire de retourner l'instrument au fabricant, respecter les indications mentionnées au chapitre "9.2 Retour".

9. Démontage, retour et mise au rebut

9. Démontage, retour et mise au rebut



AVERTISSEMENT !

Les restes de fluides se trouvant dans les transmetteurs de processus démontés peuvent mettre en danger les personnes, l'environnement ainsi que l'installation. Prendre des mesures de sécurité suffisantes.

9.1 Démontage

Déconnectez le Transmetteur de pression uniquement une fois que le système a été mis hors pression !

FR

9.2 Retour



AVERTISSEMENT !

En cas d'envoi du Transmetteur de pression, il faut respecter impérativement ceci :

Tous les transmetteurs de processus envoyés à Festo doivent être exempts de toute substance dangereuse (acides, lixiviats, solutions, etc.).

Pour retourner le Transmetteur de pression, utiliser l'emballage original ou un emballage adapté pour le transport.

9.3 Mise au rebut

Une mise au rebut inadéquate peut entraîner des dangers pour l'environnement.

Éliminer les composants des instruments et les matériaux d'emballage conformément aux prescriptions nationales pour le traitement et l'élimination des déchets et aux lois de protection de l'environnement en vigueur.



FR

Contenido

1. Información general	46
2. Seguridad	48
3. Datos técnicos	51
4. Diseño y función	52
5. Transporte, embalaje y almacenamiento	52
6. Puesta en servicio, funcionamiento	53
7. Mantenimiento y limpieza	55
8. Fallos	56
9. Desmontaje, devolución y eliminación	57

1. Información general

1. Información general

- Este manual de instrucciones proporciona indicaciones importantes acerca del manejo del Transmisor de presión. Para que el trabajo con este instrumento sea seguro es imprescindible cumplir con todas las instrucciones de seguridad y manejo indicadas.
- Cumplir siempre las normativas sobre la prevención de accidentes y las normas de seguridad en vigor en el lugar de utilización del Transmisor de presión.
- El manual de instrucciones es una parte integrante del Transmisor de presión y debe guardarse en la proximidad del mismo para que el personal especializado pueda consultarlo en cualquier momento.
- El personal especializado debe haber leído y entendido el manual de instrucciones antes de comenzar cualquier trabajo.
- El fabricante queda exento de cualquier responsabilidad en caso de daños causados por un uso no conforme a la finalidad prevista, la inobservancia del presente manual de instrucciones, un manejo por personal insuficientemente cualificado así como una modificación no autorizada del Transmisor de presión.
- Se aplican las condiciones generales de venta incluidas en la documentación de venta.
- Modificaciones técnicas reservadas.
- Para obtener más informaciones consultar:
 - Página web: www.festo.com
 - Servicio técnico: Tel.: ++49/711/347-0

ES

1. Información general

Explicación de símbolos



¡ADVERTENCIA!

... indica una situación probablemente peligrosa que pueda causar la muerte o lesiones graves si no se evita.



¡CUIDADO!

... indica una situación probablemente peligrosa que pueda causar lesiones leves o medianas o daños materiales y medioambientales si no se evita.



Información

... destaca consejos y recomendaciones útiles así como informaciones para una utilización eficaz y libre de fallos.



¡CUIDADO!

... indica una situación probablemente peligrosa que pueda causar quemaduras debido a superficies o líquidos calientes, si no se evita.

Abreviaturas

2 hilos	Se utilizan dos líneas de conexión para la alimentación de corriente. La alimentación se realiza a través de la señal de medición.
3 hilos	Se utilizan dos líneas de conexión para la alimentación de corriente. Una línea de conexión es utilizada para la señal de medición.
U _B	Acometida positiva
0V	Acometida negativa
Out	Conexión positiva de la medición

2. Seguridad

2. Seguridad



¡ADVERTENCIA!

Antes del montaje, la puesta a servicio y el funcionamiento asegurarse de que se haya seleccionado el Transmisor de presión adecuado con respecto a rango de medida, versión y condiciones de medición específicas.

El no respetar las instrucciones puede generar lesiones graves y/o daños materiales.



¡ADVERTENCIA!

Abrir las conexiones sólo cuando no estén sometidas a presión.



Los distintos capítulos de este manual de instrucciones contienen otras importantes indicaciones de seguridad.

2.1 Uso conforme a lo previsto

El Transmisor de presión convierte la presión en una señal eléctrica.

El Transmisor de presión está previsto exclusivamente para el uso industrial. En zonas residenciales deben adoptarse, si es necesario, medidas de supresión de interferencias.

Cumplir las especificaciones técnicas de este manual de instrucciones. Un manejo no apropiado o una utilización del Transmisor de presión no conforme a las especificaciones técnicas requiere la inmediata puesta fuera de servicio y la comprobación por parte de un técnico autorizado por Festo.

No se admite ninguna reclamación debido a un manejo no adecuado.

2. Seguridad

2.2 Cualificación del personal



¡ADVERTENCIA!

¡Riesgo de lesiones debido a una insuficiente cualificación!

Un manejo no adecuado puede causar considerables daños personales y materiales.

Las actividades descritas en este manual de instrucciones deben realizarse únicamente por personal especializado con la consiguiente cualificación.

Personal especializado

Debido a su formación profesional, a sus conocimientos de la técnica de regulación y medición así como a su experiencia y su conocimiento de las normativas, normas y directivas vigentes en el país de utilización el personal especializado es capaz de ejecutar los trabajos descritos y reconocer posibles peligros por sí solo.

Algunas condiciones de uso específicas requieren conocimientos adicionales, p. ej. acerca de medios agresivos.

2.3 Riesgos específicos



¡ADVERTENCIA!

En el caso de sustancias peligrosas a medir, como p. ej. oxígeno, acetileno, sustancias inflamables o tóxicas, así como en instalaciones de refrigeración, compresores, etc., deben observarse en cada caso, además de todas las reglas generales, las disposiciones pertinentes.



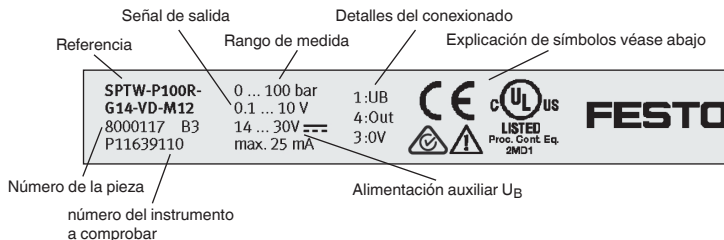
¡ADVERTENCIA!

Restos de medios en transmisores de proceso desmontados pueden causar riesgos para personas, medio ambiente e instalación.
Tomar adecuadas medidas de precaución.

2. Seguridad

2.4 Rótulos / Marcados de seguridad

Placa indicadora de modelo



Si el número del instrumento a comprobar queda ilegible (por ejemplo por daños mecánicos o tras pintar por encima), ya no se puede mantener la trazabilidad.

Explicación de símbolos



Símbolo general de riesgos



cULus, Underwriters Laboratories Inc.®

Este instrumento ha sido comprobado según las normativas aplicables de los EE.UU. y certificado por UL.

Los instrumentos con este marcado están conformes a las normas aplicables de Canadá relativas a la seguridad.



RCM

Los instrumentos con este marcado cumplen las directivas de EMC australianas y neozelandesas aplicables.



CE, Communauté Européenne

Los instrumentos con este marcaje cumplen las directivas europeas aplicables.



Corriente continua

3. Datos técnicos

3. Datos técnicos

Datos técnicos		SPTW								
Referencia	SPTW- ...	B2R	B11R	P2R	P6R	P10R	P16R	P25R	P50R	P100R
Valor inicial del rango de medida	bar	-1	-1	0	0	0	0	0	0	0
Final del rango de medida	bar	1	10	2	6	10	16	25	50	100
Límite de sobrecarga	bar	2	20	4	12	20	32	50	100	200
Duración		10 millones cambios de carga								
Material										
■ Piezas en contacto con el medio										
- Conexión a proceso		Acero inoxidable 316L								
- Sensor de presión		Acero inoxidable 316L (a partir de 0 ... 10 bar rel 13-8 PH)								
- Líquido interno de transmisión		Aceite de silicona (solamente para rangos de medida < 0 ... 10 bar)								
■ Caja		Acero inoxidable 316L								
Alimentación auxiliar U_B ¹⁾	DC	8 ... 30 V 14 ... 30 V en salida 0,1 ... 10 V)								
Señal de salida y carga resistiva máx. admisible R_A	R_A en ohmios	4 ... 20 mA, 2 hilos 0,1 ... 10 V, 3 hilos				$R_A \leq (U_B - 8 V) / 0,02 A$ $R_A > 10 k$				
Tiempo de establecimiento	ms	< 4								
Consumo de corriente	mA	Corriente de señal, máx. 25 para salida de corriente Máx. 8 para salida de tensión								
Tensión de aislamiento	DC	500 V								
Linealidad	% FS	$\leq \pm 0,5$ (BFSL) según IEC 61298-2								
Precisión ²⁾	% FS	$\leq \pm 1,0$								
Precisión de ajuste de la señal cero	% FS	$\leq 0,5$ typ. $\leq 0,5$ typ.								
Repetibilidad	% FS	$\leq 0,1$								
Deriva a largo plazo	% FS	$\leq 0,1$ según IEC 61298-2								
Ruido de señal	% FS	$\leq 0,3$								
Rangos de temperatura admisibles										
■ Medio	°C	0 ... +80								
■ Entorno	°C	0 ... +80								
■ Almacenamiento	°C	-20 ... +80								

1) Utilizar un circuito eléctrico con límite de energía según UL/EN/IEC 61010-1 o LPS según UL/EN/IEC 60950-1 o Clase 2 según UL1310/UL1585 (NEC o CEC) para alimentar el Transmisor de presión. La alimentación eléctrica debe ser adecuada para aplicaciones en alturas superiores a 2.000 metros si se quiere utilizar el Transmisor de presión a partir de esas alturas.

2) Incluye linealidad, histéresis, error punto cero y valor final (corresponde a desviación de valor de medida según IEC 61298-2). Calibrado en posición vertical con la conexión a presión hacia abajo.

3. Datos técnicos ... 5. Transporte, embalaje y almacenamiento

Datos técnicos		SPTW
Rango de temperatura nominal	°C	0 ... +80
Error de temperatura en el rango de temperatura nominal	% FS	≤ 1,0 typ., ≤ 2,5 max.
Aprobaciones		cULus, RCM
Símbolo CE		según UE-EMV-RL
Resistencia a choques	g	500 ³⁾ según IEC 60068-2-27 (choque mecánico)
Resistencia a vibraciones	g	10 ³⁾ según IEC 60068-2-6 (vibración con resonancia)
Protección contra sobretensiones	DC	32 V; 36 V a 4 ... 20 mA
Resistencia contra cortocircuitos		Out contra 0V
Protección contra polaridad inversa		UB contra 0V
Condiciones de referencia		según IEC 61298-1
■ Campo de aplicación		Para la utilización en el interior y exterior
■ Humedad relativa	%	hasta 90
Peso	g	aprox. 80

3) Valor reducido dependiendo de la fijación mecánica

4. Diseño y función

4.1 Descripción

Con la ayuda de un sensor y la alimentación de energía auxiliar, la presión aplicada deforma una membrana convirtiendo el valor de la presión en una señal eléctrica estandarizada y amplificada. Esta señal eléctrica cambia proporcionalmente en función de la presión permitiendo así su análisis.

5. Transporte, embalaje y almacenamiento

5.1 Transporte

Comprobar si el instrumento presenta eventuales daños causados en el transporte. Notificar de inmediato cualquier daño evidente.

5. Transporte, ... / 6. Puesta en servicio, funcionamiento

5.2 Embalaje

No quitar el embalaje hasta justo antes del montaje.

Guardar el embalaje ya que es la protección ideal durante el transporte (por ejemplo si el lugar de instalación cambia o si se envía el instrumento para posibles reparaciones).

5.3 Almacenamiento

Condiciones admisibles en el lugar de almacenamiento:

- Temperatura de almacenamiento: -20 ... +80 °C
- Humedad: 45 ... 75 % de humedad relativa (sin rocío)



¡ADVERTENCIA!

Antes de almacenar el Transmisor de presión (después del funcionamiento), eliminar todos los restos de medios adherentes. Esto es especialmente importante cuando el medio es nocivo para la salud, como p. ej. cáustico, tóxico, cancerígeno, radioactivo, etc.

ES

6. Puesta en servicio, funcionamiento



Herramienta necesaria: Llave de boca (ancho 27)



¡CUIDADO!

Comprobar el Transmisor de presión visualmente antes de utilizarlo.

- Si el líquido se derrama es probable que membrana esté dañada.
- Utilizar el Transmisor de presión sólo en condiciones absolutamente seguras.

6.1 Montaje de la conexión mecánica

- Roscar y desenroscar el instrumento únicamente en las zonas de agarre para la llave utilizando una herramienta adecuada y aplicando el par de giro especificado. El par de giro correcto depende de la dimensión de la conexión así como de la junta utilizada (forma/material). No utilizar la carcasa como zona de agarre para enroscar y desenroscar.
- No bloquear las vueltas de la rosca al enroscar.

6. Puesta en servicio, funcionamiento

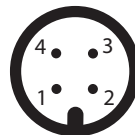
6.2 Montaje de la conexión eléctrica

- ¡Poner a tierra el instrumento través de la conexión.
- Utilizar un circuito eléctrico con límite de energía según el párrafo 9.3 de UL/EN/IEC 61010-1 o LPS según UL/EN/IEC 60950-1 o Clase 2 según UL1310/UL1585 (NEC o CEC) para alimentar el Transmisor de presión. La alimentación eléctrica debe ser adecuada para aplicaciones en alturas superiores a 2.000 metros si se quiere utilizar el Transmisor de presión a partir de esas alturas.
- Los cables de señal largos reducen la resistencia a interferencias. Asegúrese de que los cables de señal nunca superan una longitud de 30 m. De este modo se evitan perturbaciones inducidas por campos electromagnéticos

ES

Conexiones eléctricas

Denominación		Clavija de enchufe, M12 x 1, de 4 polos
2-Hilos Modelo: SPTW-... A		$U_B = 1$ $0V = 3$
3-Hilos Modelo: SPTW-... VD		$U_B = 1$ $0V = 3$ $Out = 4$
Tipo de protección según IEC 60529		IP 67 El tipo de protección indicado sólo es válido en estado conectado con conectores según el tipo de protección correspondiente.



6.3 Prueba de funcionamiento



La señal de salida debe comportarse proporcionalmente a la presión aplicada. De lo contrario puede indicar una membrana dañada. En este caso, véase el capítulo "8. Fallos".



¡ADVERTENCIA!

- Abrir las conexiones sólo cuando no estén sometidas a presión
- Tener en cuenta los parámetros de servicio según el capítulo "3. Datos técnicos".
- ¡Utilizar el Transmisor de presión únicamente dentro de los límites inferior y superior de sobrecarga!

6. Puesta en servicio, funcionamiento / 7. Mantenimiento y limpieza



¡ADVERTENCIA!

Antes de tocar el Transmisor de presión tener en cuenta que las superficies de los componentes pueden calentarse durante el funcionamiento.

6.4 Accesorios

Accesorios puede encontrar en www.festo.com/catalogue.

7. Mantenimiento y limpieza

ES

7.1 Mantenimiento

Este instrumento no requiere mantenimiento.

Todas las reparaciones solamente las debe efectuar el fabricante.

7.2 Limpieza



¡CUIDADO!

- Antes de proceder con la limpieza hay que separar debidamente el instrumento de cualquier fuente de presión, apagarlo y desenchufarlo de la red.
- Limpiar el instrumento con un trapo húmedo.
- Una vez desmontado el instrumento se debe enjuagar y limpiar antes de devolverlo para proteger a las personas y el medio ambiente contra residuos del medio de medición.
- Restos de medios en instrumentos desmontados pueden causar riesgos para personas, medio ambiente e instalación. Tomar adecuadas medidas de precaución.
- No utilizar ningún objeto puntiagudo o duro para efectuar la limpieza para evitar cualquier daño de la membrana de la conexión al proceso.



Véase el capítulo „9.2 Devolución“ para obtener más información acerca de la devolución del instrumento.

8. Fallos

8. Fallos

Comprobar de antemano si hay presión (válvulas/llave esférica etc. abiertas) y si se han seleccionado la alimentación de tensión correcta y el cableado correcto (2 hilos/3 hilos).

Fallos	Causas	Medidas
Ninguna señal de salida	Cable roto	Comprobar el paso
Desviación de señal de punto cero	Límite de sobrecarga excedido	Cumplir con el límite de sobrecarga admisible (véase el capítulo "3. Datos técnicos").
Desviación de señal de punto cero	Temperatura de utilización demasiado alta/baja	Cumplir con las temperaturas admisibles (véase el capítulo "3. Datos técnicos")
La señal de salida no cambia cuando cambia la presión	Sobrecarga mecánica por sobrepresión	Sustituir el instrumento; consultar al fabricante si falla repetidas veces
Insuficiente alcance de señal	Sobrecarga mecánica por sobrepresión	Sustituir el instrumento; consultar al fabricante si falla repetidas veces
Alcance de señal oscilante	Fuentes de interferencias CEM en el entorno, p. ej. convertidor de frecuencia	Blindar el instrumento; blindaje del cable; quitar la fuente de interferencias
Alcance de señal oscilante/impreciso	Temperatura de utilización demasiado alta/baja	Cumplir con las temperaturas admisibles (véase el capítulo "3. Datos técnicos")
Alcance de señal cae/insuficiente	Alcance de señal cae/insuficiente	Contactar al fabricante y reemplazar el instrumento



¡CUIDADO!

Si no es posible eliminar los fallos mediante las medidas arriba mencionadas, poner inmediatamente el instrumento fuera de servicio; asegurarse de que ya no esté sometido a ninguna presión o señal y proteger el instrumento contra una puesta en servicio accidental o errónea. En este caso ponerse en contacto con el fabricante. Si una devolución del instrumento es necesaria, observar las indicaciones en el capítulo „9.2 Devolución“.

9. Desmontaje, devolución y eliminación

9. Desmontaje, devolución y eliminación



¡ADVERTENCIA!

Restos de medios en transmisores de proceso desmontados pueden causar riesgos para personas, medio ambiente e instalación. Tomar adecuadas medidas de precaución.

9.1 Desmontaje

¡Desmontar el Transmisor de presión sólo si no está sometido a presión!

9.2 Devolución



¡ADVERTENCIA!

Es imprescindible observar lo siguiente para el envío del Transmisor de presión:

Todos los transmisores de proceso enviados a Festo deben estar libres de sustancias peligrosas (ácidos, lejías, soluciones, etc.).

Utilizar el embalaje original o un embalaje adecuado para la devolución del Transmisor de presión.

9.3 Eliminación de residuos

Una eliminación incorrecta puede provocar peligros para el medio ambiente.

Eliminar los componentes de los instrumentos y los materiales de embalaje conforme a los reglamentos relativos al tratamiento de residuos y eliminación vigentes en el país de utilización.





Festo Niederlassungen weltweit finden Sie online unter www.festo.com
Festo subsidiaries worldwide can be found online at www.festo.com
La liste des filiales Festo dans le monde se trouve sur www.festo.com
Sucursales Festo en todo el mundo puede encontrar en www.festo.com