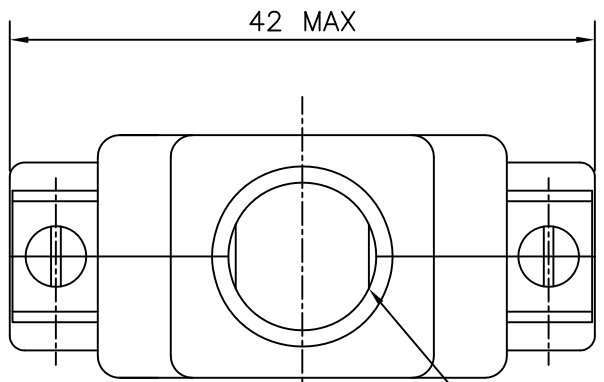
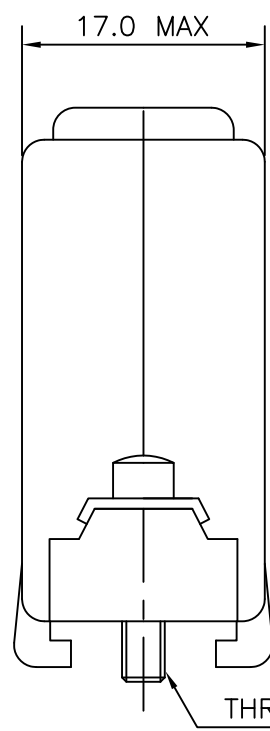
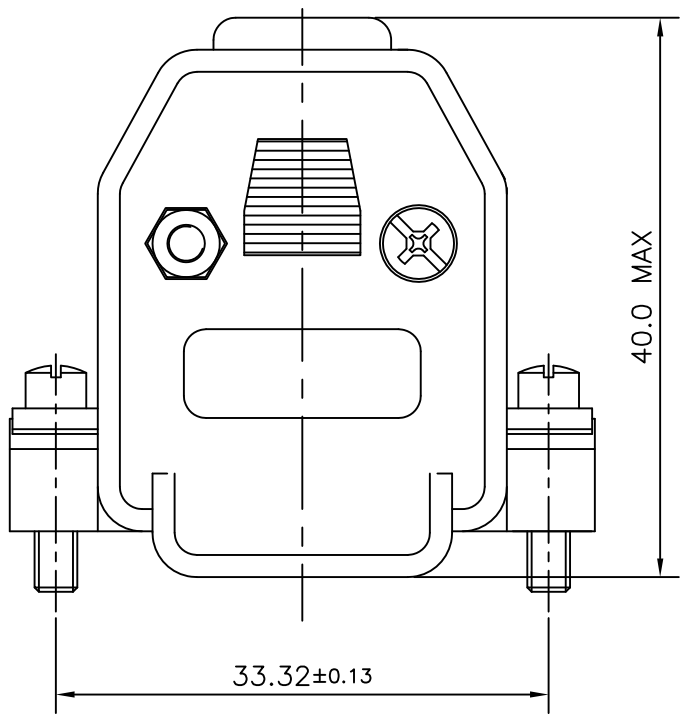


4	8630-CH15UNCLF	UNC 440
3	8630-CH15M3LF	M3
2	8630-CH15UNC	UNC 440
1	8630-CH15M3	M3
SL.NO.	PART NO:	THREAD



CABLE ENTRY ϕ 10MAX.



"This LF product meets European Union Directives and other country regulations as described in GS-47-0004"
Packaging as per GS-14-920

MATERIAL:-
1.NYLON 6 30% GF UL 94V-0 (OPTIONAL)
2.ABS UNFILLED UL 94 HB (STANDARD)
3.TEMP RANGE -55°C +85°C

mat'l. code				surface ISO 1302 ✓	tolerance ISO 406 ISO 1101	projection 	product family D-SUB							
ltr	ecn no	dr	date	tolerances unless otherwise specified		MM ← →	title CONNECTOR HOOD 15 POS							
D	106-0074	MINI	2006/06/08	angles	.00±0.1									
E	110-0122	AMR	2010/05/29	linear										
F	110-0231	AMR	2010/11/28	0°±1°		scale -	dwg no C-DSUB-0023 sheet 1 of 1 size A4							
G	ELX-I-15622	MP	2013/08/24	dr	MINI K VANDANATH	1995/24/03								
				engr	MITHUN PAUL	2013/08/24								
				chr	MITHUN PAUL	2013/08/24								
				appo	BIJU K PAUL	2013/08/24	type Product Customer Drawing							
sheet index	revision	G												
	sheet	1												



FCIconnect.com

Copyright FCI