

Clip, 6.3x32 mm, 32 A, BeCu



600 VAC/DC · 32 A (UL)



Description

- BeCu Clip up to 32 A Application

Standards

- UL 4248-1
- CSA 22.2 no. 4248.1

Approvals

- UL File Number: E39328

Applications

- Industrial electronic
- Photovoltaic

References

Fuseholder to [SUT 6.3x32](#)

Weblinks

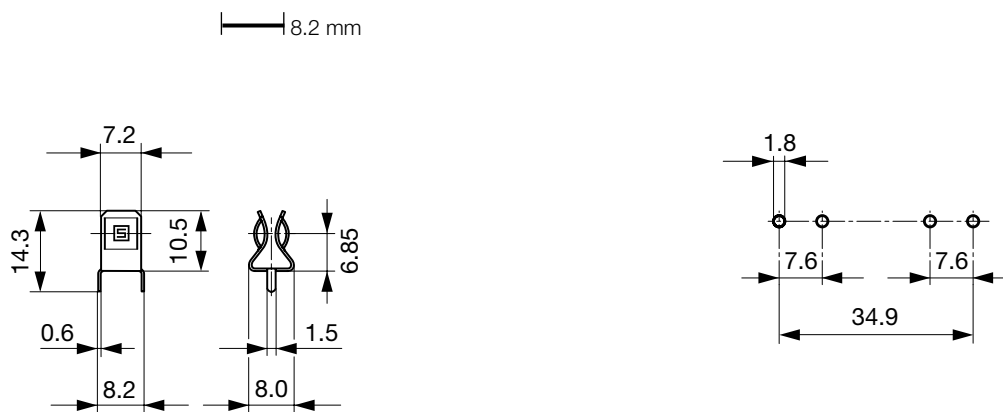
[pdf-datasheet](#), [html-datasheet](#), [General Product Information](#), [Approvals](#), [CE declaration of conformity](#), [RoHS](#), [CHINA-RoHS](#), [REACH](#), [e-Shop](#), [SCHURTER-Stock-Check](#), [Distributor-Stock-Check](#), [Detailed request for product](#)

Technical Data

Fuse-Link	6.3 x 32mm
Mounting	PCB
Terminal	Solder THT
Rated Voltage	600VAC/DC
Rated current	32A (UL)
Admissible Ambient Air Temp.	-55°C to 125°C
Material: Terminals	BeCu
Storage Conditions	0°C to 60°C, max. 70% r.h.

Soldering Methods	Wave
Solderability	235 °C / 2 sec acc. to IEC 60068-2-20, Test Ta, method 1
Resistance to Soldering Heat	260 °C / 10 sec acc. to IEC 60068-2-20, Test Tb, method 1A
Contact Resistance	< mΩ at 20 mV

Dimension



Drilling diagram

All Variants

Clip	Material: Terminals	Order Number
●	Tin-plated Beryllium-Copper	8040.0001
●	Silver-plated Beryllium-Copper	8040.0003

Most Popular.

Availability for all products can be searched real-time: <http://www.schurter.com/en/Stock-Check/Stock-Check-SCHURTER>

Packaging Unit

Bulk (1000 pcs.)