

1577620-1 ✓ ACTIVE

STRATO-THERM

TE Internal #: 1577620-1

Rings & Spades, Ring Tongue, 24 – 22AWG Wire Size, .205 – .326mm² Wire Size, M4 / #8, Stud Diameter 4.34 mm [.171 in]

[View on TE.com >](#)



Terminals & Splices > Rings & Spades



Terminal & Splice Type: **Ring Tongue**

Wire Size: **.205 – .326 mm²**

Ring & Spade Stud Size: **#8, M4**

Stud Diameter: **4.34 mm [.171 in]**

Features

Product Type Features

Shape Description	RING-041
Ring & Spade Stud Size	#8, M4
Ring & Spade Barrel Type	Closed Barrel
Sealable	No
Insulated	Yes
Ring & Spade Wire/Cable Type	Regular Wire
Support Style	Insulation Support

Configuration Features

Number of Holes	1
Terminal Angle	Straight

Electrical Characteristics

Current Rating	1 A
----------------	-----

Body Features

Inspection Slot	No
Insulation Sleeve Color	Brown
Weight per Piece	.65 g [.0229 oz]
Stripe Color	Brown
Ring & Spade Plating Material	Copper, Nickel

Contact Features

--	--

Terminal & Splice Type	Ring Tongue
------------------------	-------------

Ring & Spade Terminal Orientation	Straight
-----------------------------------	----------

Mechanical Attachment

Wire Insulation Support	With
-------------------------	------

Dimensions

Wire Size	.205 – .326 mm ²
-----------	-----------------------------

Stud Diameter	4.34 mm [.171 in]
---------------	-------------------

Tongue Thickness	.79 mm [.031 in]
------------------	------------------

Ring & Spade Overall Length	21.31 mm [.839 in]
-----------------------------	--------------------

Ring & Spade Wire Insulation Diameter (Max)	1.9 mm [.075 in]
---	------------------

Ring & Spade Wire Insulation Diameter	.89 – 1.9 mm [.035 – .075 in]
---------------------------------------	-------------------------------

Usage Conditions

Operating Temperature Range	260 °C [500 °F]
-----------------------------	-----------------

Operation/Application

Heavy Duty	No
------------	----

Industry Standards

Government Qualified	No
----------------------	----

Packaging Features

Packaging Quantity	1000
--------------------	------

Ring & Spade Packaging Method	Bag/Box
-------------------------------	---------

Product Compliance

[For compliance documentation, visit the product page on TE.com>](#)

EU RoHS Directive 2011/65/EU	Compliant
------------------------------	-----------

EU ELV Directive 2000/53/EC	Compliant
-----------------------------	-----------

China RoHS 2 Directive MIIT Order No 32, 2016	No Restricted Materials Above Threshold
---	---

EU REACH Regulation (EC) No. 1907/2006	Current ECHA Candidate List: JUN 2020 (209) Candidate List Declared Against: JAN 2019 (197) Does not contain REACH SVHC
--	---

Halogen Content	Low Halogen - Br, Cl, F, I < 900 ppm per homogenous material. Also BFR/CFR/PVC Free
-----------------	---

Solder Process Capability

Not applicable for solder process capability

Product Compliance Disclaimer

This information is provided based on reasonable inquiry of our suppliers and represents our current actual knowledge based on the information they provided. This information is subject to change. The part numbers that TE has identified as EU RoHS compliant have a maximum concentration of 0.1% by weight in homogenous materials for lead, hexavalent chromium, mercury, PBB, PBDE, DBP, BBP, DEHP, DIBP, and 0.01% for cadmium, or qualify for an exemption to these limits as defined in the Annexes of Directive 2011/65/EU (RoHS2). Finished electrical and electronic equipment products will be CE marked as required by Directive 2011/65/EU. Components may not be CE marked. Additionally, the part numbers that TE has identified as EU ELV compliant have a maximum concentration of 0.1% by weight in homogenous materials for lead, hexavalent chromium, and mercury, and 0.01% for cadmium, or qualify for an exemption to these limits as defined in the Annexes of Directive 2000/53/EC (ELV). Regarding the REACH Regulation, the information TE provides on SVHC in articles for this part number is based on the latest European Chemicals Agency (ECHA) 'Guidance on requirements for substances in articles' posted at this URL: <https://echa.europa.eu/guidance-documents/guidance-on-reach>

Compatible Parts



TE Model / Part # 576778
HEAVY HD HT, STRATO #24-#22

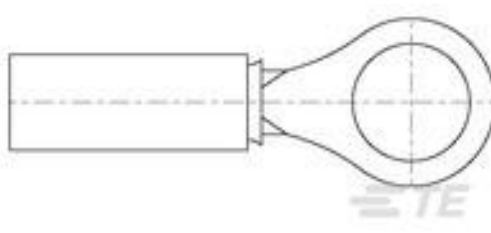


TE Model / Part # 1901611-1
HT,CCII, STRATO,24-20, LONG



TE Model / Part # 1901611-2
HT, CCII, STRATO,24-20, SHORT

Customers Also Bought



TE Model / Part #1577624-1
TERMINAL RT PIDG PEEK STRATO 20 AWG



TE Model / Part #1577623-1
TERMINAL, PEEK PIDG STRATO, 20AWG



TE Model / Part #1577633-1
TERMINAL RT PIDG PEEK STRATO 18-16 AWG



TE Model / Part #170330-2
PL 187 RECEPTACLE 24-20 AWG NPPHBZ



TE Model / Part #ZPF000000000017864
FAST-E 01 F-X-A 00 B



TE Model / Part #ZPF000000000003651
724-8022-16



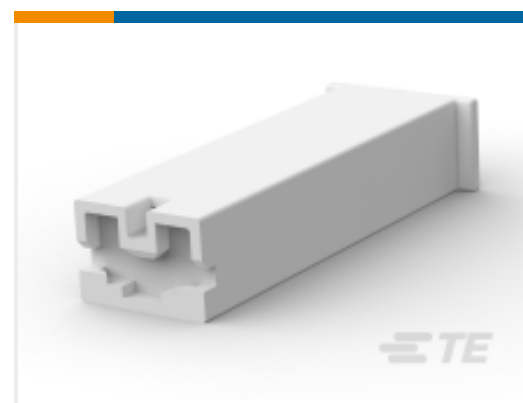
TE Model / Part #ZPF0000000000137993
787-8055-13M



TE Model / Part #ZPF000000000000570
020-0511-20



TE Model / Part #ZPF000000000001930
182-0118-20



TE Model / Part #928083-1
PL 187 REC HSG 1P NYLON NAT

Documents

Product Drawings

TERMINAL RT PIDG PEEK STRATO 24-22 AWG

English

CAD Files

3D PDF

3D

Customer View Model

[ENG_CVM_CVM_1577620-1_B.2d_dxf.zip](#)

English

Customer View Model

[ENG_CVM_CVM_1577620-1_B.3d_igs.zip](#)

English

Customer View Model

[ENG_CVM_CVM_1577620-1_B.3d_stp.zip](#)

English

By downloading the CAD file I accept and agree to the [Terms and Conditions](#) of use.

Product Specifications

Application Specification

English

Product Environmental Compliance

TE Material Declaration

English