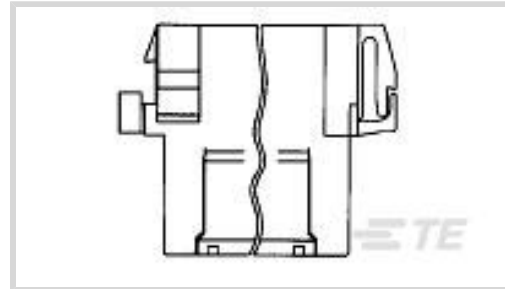




Connectors > Automotive, Truck, Bus, & Off-Road Connectors > Connector Housings > TIMER, CONNECTOR HOUSING



Connector Style: **Housing for male terminals**

Mating Tab Width: **2.8 mm [ .11 in ]**

Connector System: **Wire-to-Wire**

Number of Positions: **4**

Centerline (Pitch): **5 mm [ .196 in ]**

[All TIMER, CONNECTOR HOUSING \(717\)](#)

## Features

### Product Type Features

Connector Style	Housing for male terminals
Connector System	Wire-to-Wire
Sealable	No
Hybrid Connector	No
Connector & Contact Terminates To	Wire & Cable
Strain Relief	No
Row-to-Row Spacing	5.6 mm[.22 in]

### Configuration Features

Number of Positions	4
Number of Rows	2

### Body Features

Cable Exit Angle	180°
Body Material	PBT
Color	Black

### Contact Features

Mating Tab Width	2.8 mm[.11 in]
------------------	----------------

### Mechanical Attachment

Terminal Position Assurance	No
-----------------------------	----

Mounting Feature	Without
Polarized	Yes

### Housing Features

Centerline (Pitch)	5 mm[.196 in]
--------------------	---------------

### Dimensions

Height	26 mm[1.02 in]
Length	18.8 mm[.74 in]
Width	22.4 mm[.881 in]

### Operation/Application

Circuit Application	Signal
---------------------	--------

### Packaging Features

Packaging Method	Carton
Packaging Quantity	1000

### Other

Serviceable	No
Connector Position Assurance Capable	No

## Product Compliance

[For compliance documentation, visit the product page on TE.com>](#)

EU RoHS Directive 2011/65/EU	Compliant
EU ELV Directive 2000/53/EC	Compliant
China RoHS 2 Directive MIIT Order No 32, 2016	No Restricted Materials Above Threshold
EU REACH Regulation (EC) No. 1907/2006	Current ECHA Candidate List: JAN 2019 (197) Candidate List Declared Against: JAN 2019 (197)
Halogen Content	Not Low Halogen - contains Br or Cl > 900 ppm.
Solder Process Capability	Not applicable for solder process capability

#### Product Compliance Disclaimer

This information is provided based on reasonable inquiry of our suppliers and represents our current actual knowledge based on the information they provided. This information is subject to change. The part numbers that TE has identified as EU RoHS compliant have a maximum concentration of 0.1% by weight in homogenous materials for lead, hexavalent chromium, mercury, PBB, PBDE, DBP, BBP, DEHP, DIBP, and 0.01% for cadmium, or qualify for an exemption to these limits as defined in the Annexes of Directive 2011/65/EU (RoHS2). Finished electrical and electronic equipment products will be CE marked as required by Directive 2011/65/EU. Components may not be CE marked. Additionally, the part

numbers that TE has identified as EU ELV compliant have a maximum concentration of 0.1% by weight in homogenous materials for lead, hexavalent chromium, and mercury, and 0.01% for cadmium, or qualify for an exemption to these limits as defined in the Annexes of Directive 2000/53/EC (ELV). Regarding the REACH Regulations, TE's information on SVHC in articles for this part number is still based on the European Chemical Agency (ECHA) 'Guidance on requirements for substances in articles' (Version: 2, April 2011), applying the 0.1% weight on weight concentration threshold at the finished product level. TE is aware of the European Court of Justice ruling of September 10th, 2015 also known as O5A (Once An Article Always An Article) stating that, in case of 'complex object', the threshold for a SVHC must be applied to both the product as a whole and simultaneously to each of the articles forming part of its composition. TE has evaluated this ruling based on the new ECHA "Guidance on requirements for substances in articles" (June 2017, version 4.0) and will be updating its statements accordingly.

## Compatible Parts

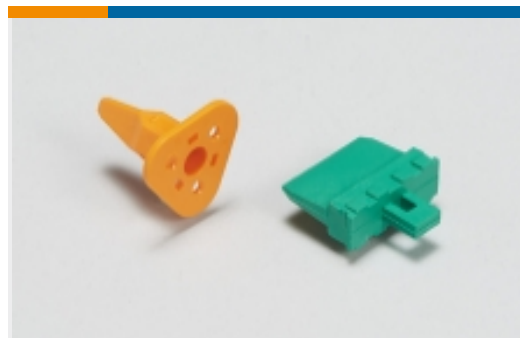


Automotive, Truck, Bus, & Off-Road Housings(15)

## Also in the Series | Timer Connector System



Automotive Connector Caps & Covers(17)



Automotive Connector Locks & Position Assurance (19)



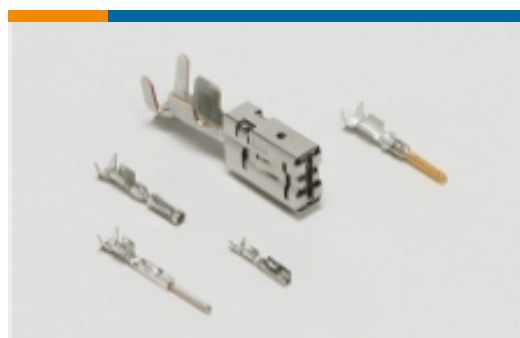
Automotive Seals & Cavity Plugs(33)



Automotive, Truck, Bus, & Off-Road Headers(111)



Automotive, Truck, Bus, & Off-Road Housings(277)



Automotive, Truck, Bus, & Off-Road Terminals(158)



Crimp Terminal Housings (13)

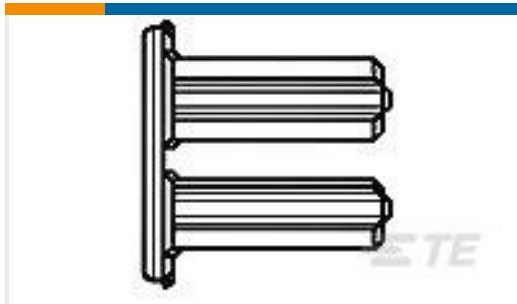


Other Automotive Connector Accessories(5)

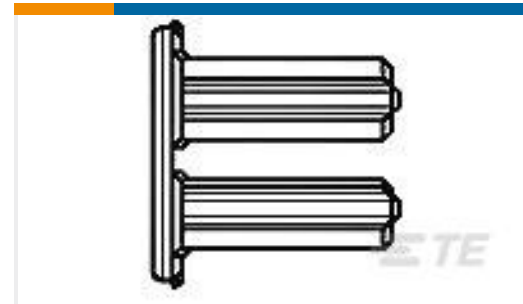


Quick Disconnects(4)

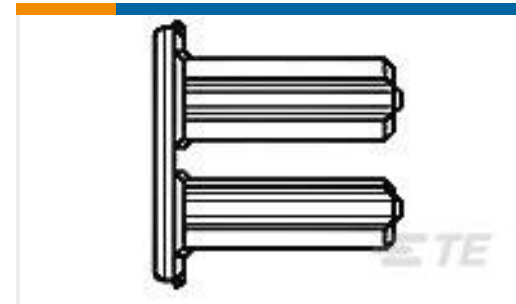
## Customers Also Bought



TE Part #967633-1  
2. KONT-SICHERUNG 15P



TE Part #967631-1  
2. KONT-SICHERUNG 9P



TE Part #968271-1  
2. KONT-SICHERUNG 6P

## Documents

### Product Drawings

[FF FLSTE-GEH2X2P](#)

German

### CAD Files

Customer View Model

[ENG\\_CVM\\_929505-1\\_F4.3d\\_igs.zip](#)

English

Customer View Model

[ENG\\_CVM\\_929505-1\\_F4.3d\\_stp.zip](#)

English

Customer View Model

[ENG\\_CVM\\_929505-1\\_F4.2d\\_dxf.zip](#)

English

[3D PDF](#)

English

### Datasheets & Catalog Pages

[Timer Interconnection System](#)

English