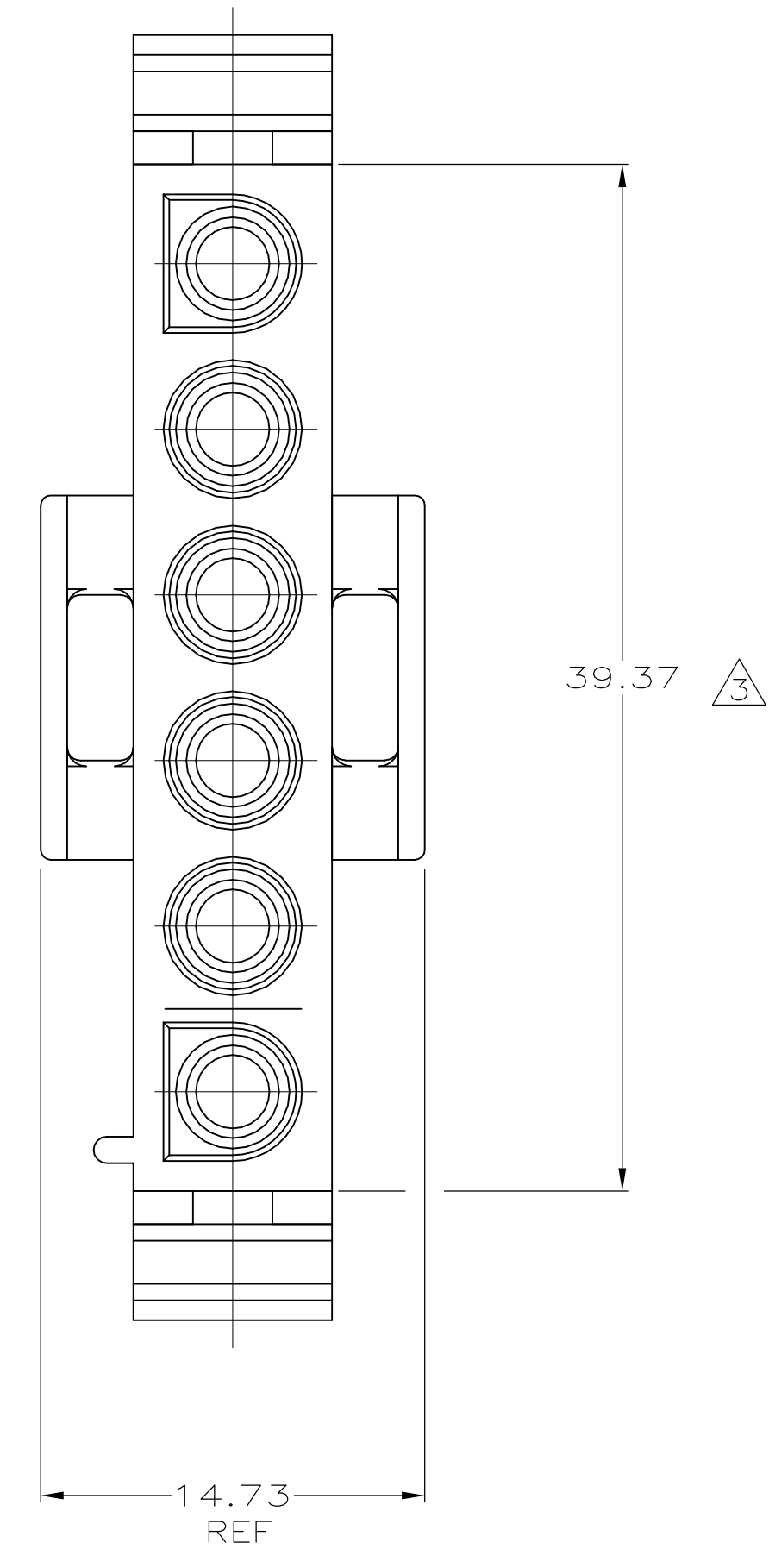
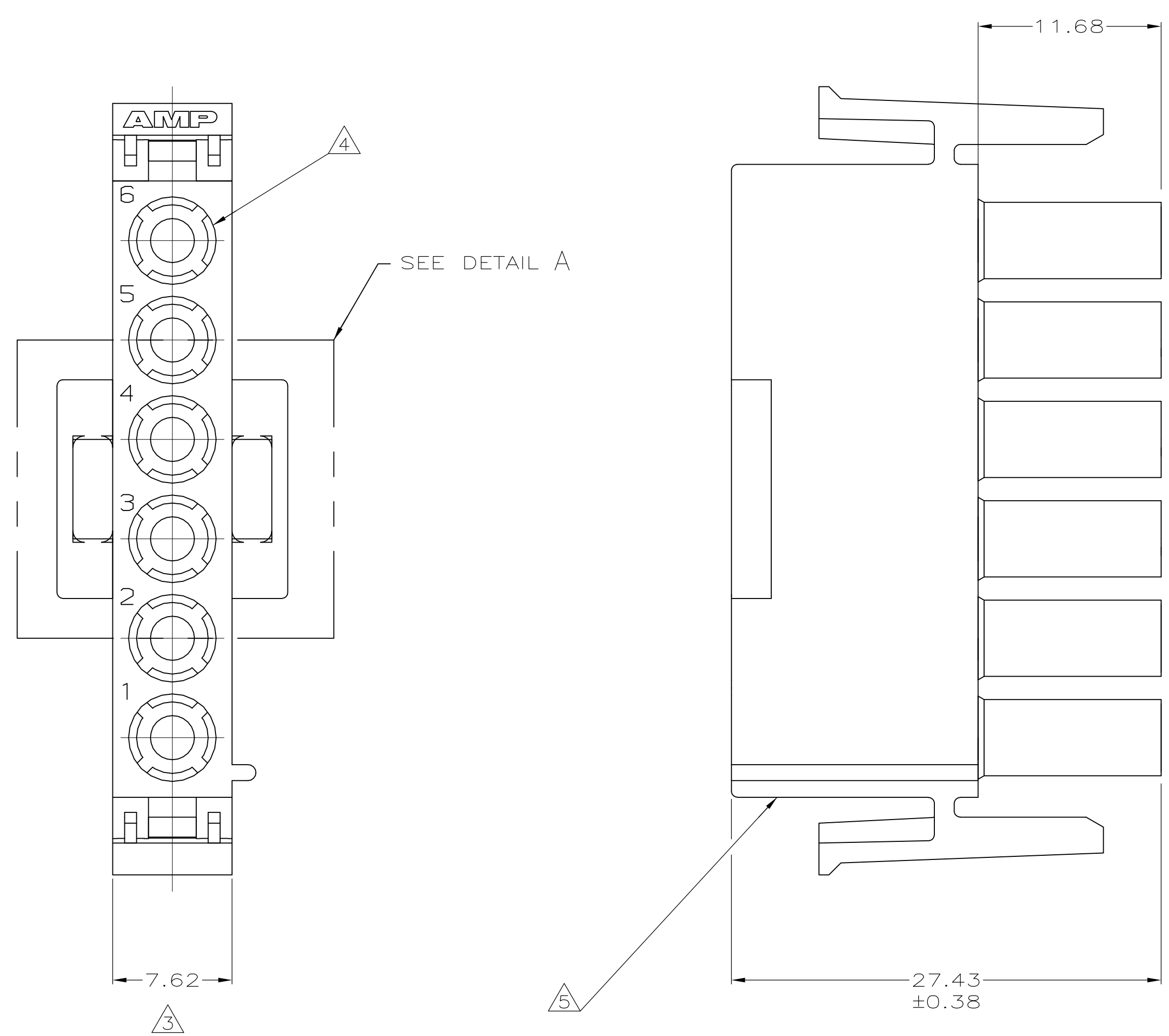
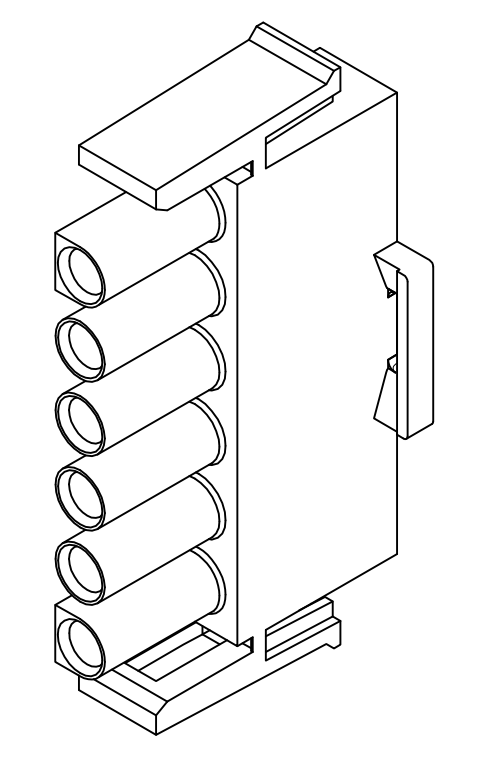
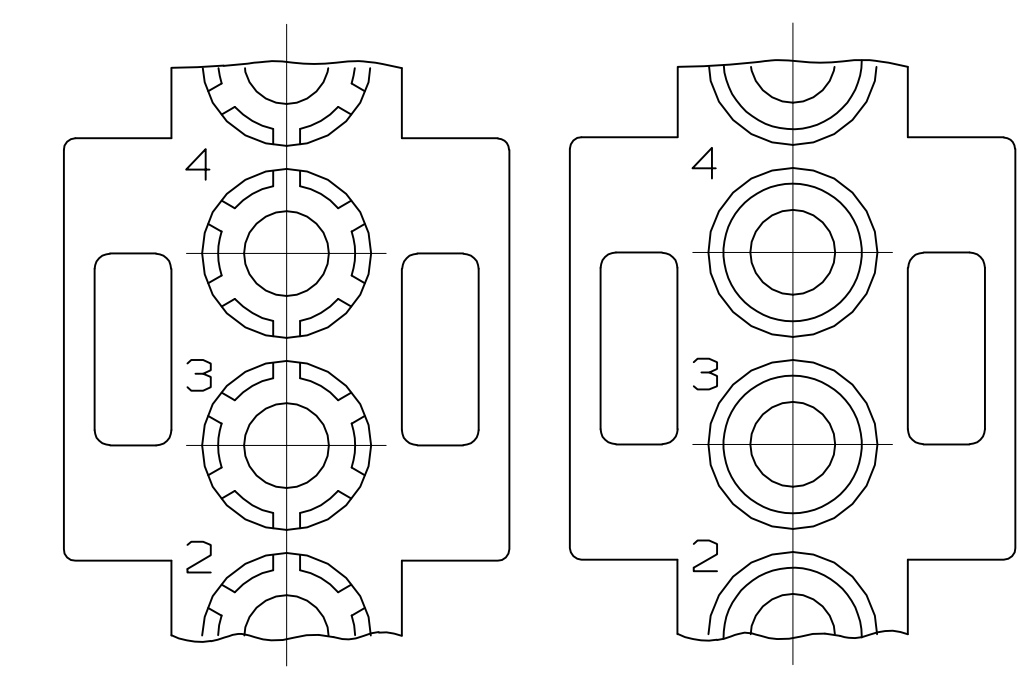
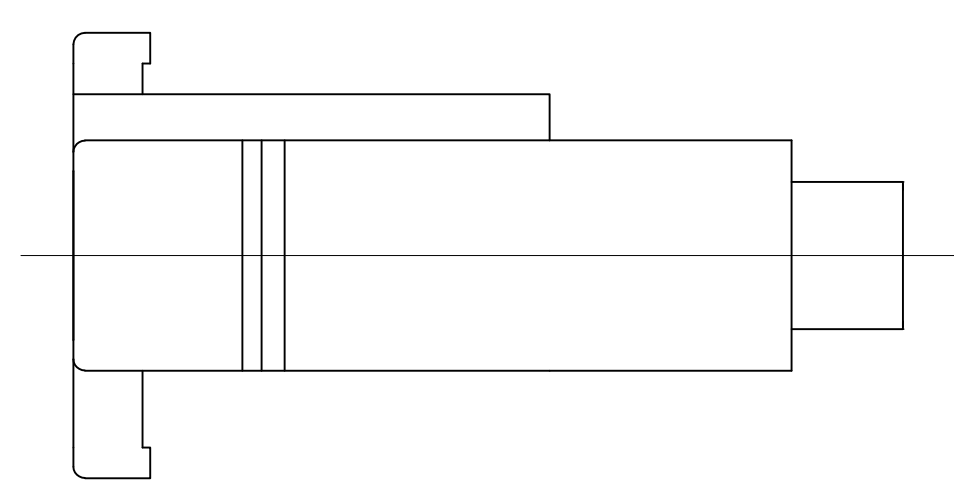


LOC		DIST		REVISIONS			
P	LTR	DESCRIPTION	DATE	DMN	APVD		
T2		ECO-07-020492	30AUG07	KW	DC		



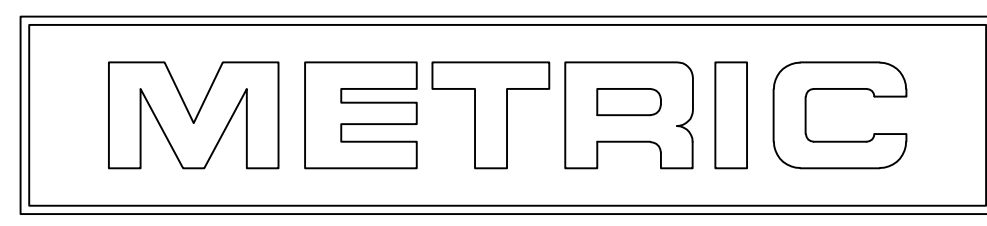
- MATES WITH APPROPRIATE UNIVERSAL MATE-N-LOK™ CAP OR HEADER.
  - SMALL NICKS ARE PERMITTED ON THE CIRCUIT TOWERS WHICH COULD INCREASE THE INITIAL HOUSING MATING FORCE BY UP TO 4.4 NEWTONS [1.0 LBS]. NO INDIVIDUAL NICKED TOWER SHALL INCREASE THIS FORCE BY OVER 2.2 NEWTONS [.5 LBS].
- ⚠ DIMENSION INDICATED IS AS MOLDED. ADDITIONAL GROWTH DUE TO SUBSEQUENT MOISTURE ABSORPTION MAY OCCUR.
- ⚠ FOUR RIBS EQUALLY SPACED, NO SPECIFIC ORIENTATION. NO RIBS OR SIX RIBS EQUALLY SPACED, NO SPECIFIC ORIENTATION, OPTIONAL.
- ⚠ UNDERWRITERS RECOGNIZED COMPONENT LOGO AND CSA CERTIFICATION LOGO TO BE LOCATED ONCE EACH ON SIDE OF HOUSING.



3-DIMENSIONAL MODEL

MM	IN
39.37	1.550
27.43	1.080
14.73	.580
11.68	.460
7.62	.300
0.38	.015
0.13	.005
MM	IN

CONVERSION TABLE



BLUE	1-640581-6
RED	1-640581-2
NATURAL (WHITE)	640581-1
COLOR	PART NUMBER

THIS DRAWING IS A CONTROLLED DOCUMENT.

DIMENSIONS: mm [INCHES]	TOLERANCES UNLESS OTHERWISE SPECIFIED:	DIN K. WHITAKER 09AUG2007	CHK D. COLEY 09AUG2007	APVD D. COLEY 09AUG2007	NAME PLUG, 6 CIRCUIT, UNIVERSAL MATE-N-LOK(TM)
0. PLC ± -	1. PLC ± -	Tyco Electronics Corporation Harrisburg, PA 17105-3608		PRODUCT SPEC	SIZE
2. PLC ± 0.13	3. PLC ± -	APPLICATION SPEC		RESTRICTED TO	
4. PLC ± -	ANGLES ± ± 0°30'	WEIGHT	A1 00779	SCALE 4:1	SHEET 1 OF 1
MATERIAL NYLON,UL 94V-0	FINISH -	CUSTOMER DRAWING	640581	REV T2	