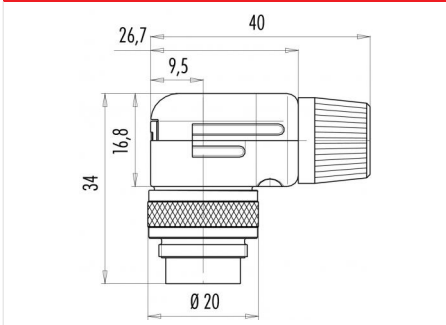


Product	Polzahl: 5, Winkelstecker, Kabeldurchlass 4 – 6 mm, Metallausführung, schirmbar, versilberte Kontakte
Area	M16 IP40 Series 682
Article number	99 0139 10 05

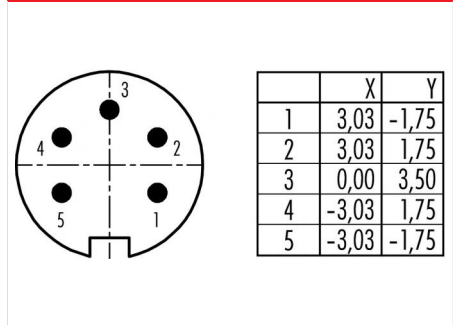
Illustration



Scale drawing



Contact Arrangement



You can find the item description on the next page.

Technical data

Common values

Connector Design	Male angled connector
Connector locking system	screw
Termination	Solder
Wire gauge (mm)	0.75 mm ²
Wire gauge (AWG)	20
Cable outlet	4 - 6 mm
Upper temperature	85 °C
Lower temperature	-40 °C

Electrical values

Rated voltage	250 V
Rated impulse voltage	1500 V
Pollution degree	1
Overvoltage category	I
Material group	III
Rated current (40°C)	6 A
Volume resistivity	≤ 5 mΩ
EMV compliance	shielded
Degree of protection	IP40
Mechanical operation	> 500 mating cycles

Material

Material of contact	CuZn (Brass)
Contact plating	Ag (Silver)
Material of contact body	PBT (UL 94 V-0)
Material of housing	PA (UL 94 HB)

Product **Polzahl: 5, Winkelstecker, Kabeldurchlass 4 – 6 mm, Metallausführung, schirmbar, versilberte Kontakte**

Area **M16 IP40 Series 682**
 Article number **99 0139 10 05**

Item description

