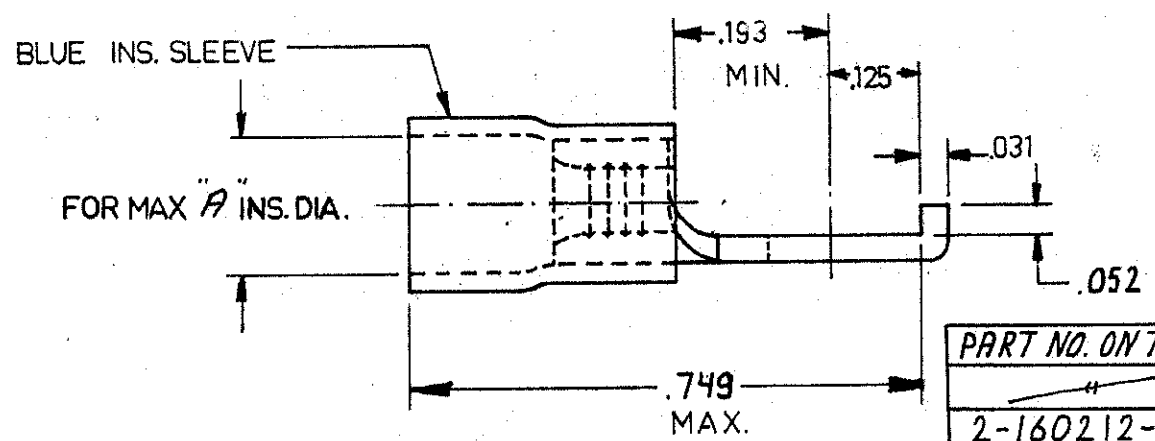
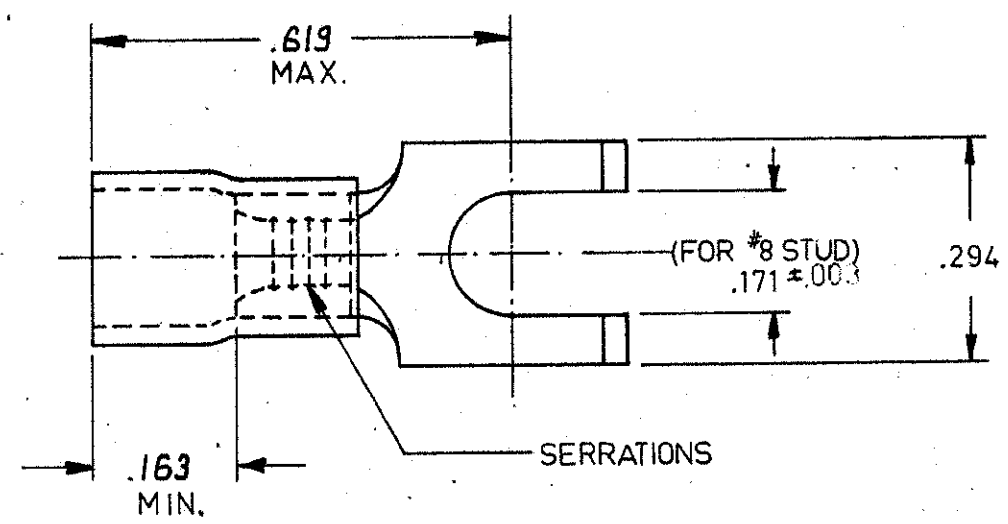


DIMENSIONS IN INCHES —DO NOT SCALE PRINT

⚠ PART NO. IS OBSOLETE
 ⚠ SUPERSEDED BY 160212

ORDER № 160212



PART NO. ON TAPE	PART NO.	A
	160212	.195
2-160212-1	160212-1	.173

CUSTOMER PRINT FOR REFERENCE ONLY

©1964 BY AMP Holland N.V. ALL RIGHTS RESERVED. AMP PRODUCTS COVERED BY PATENTS AND/OR PATENTS PENDING.

-9	-8	-7	-6	-5	-4	-3	-2	-1	DWG SIZE	NUMBER	NAME	REMARKS	ITEM NO.	
REQUIRED PER ASSEMBLY									MATERIAL	HEAT TREAT	FINISH			
									COPPER		TINPLATED			
									AMP	DR. G. Arnold 12-7-64	DATE APP. [Signature]	DATE REL. 12 MAY 64	DATE	
									AMP-HOLLAND N.V.	CHK. [Signature] 12-15-64	DATE APP.	DATE FIRST USED		
									HERTOGENBOSCH HOLLAND	TYPE P. G.	PRINT DIST.	LOC H A	SIZE NUMBER C-160 212-EE	REV E
									SCALE 4-1	WIRE SIZE 16-14	CMA MAX. MIN.	NAME	FLANGED SPADE	
DESCRIPTION														