

General Description

The 7219/7221 are compact, serial input/output common-cathode display drivers that interface microprocessors (μ Ps) to 7-segment numeric LED displays of up to 8 digits, bar-graph displays, or 64 individual LEDs. Included on-chip are a BCD code-B decoder, multiplex scan circuitry, segment and digit drivers, and an 8x8 static RAM that stores each digit. Only one external resistor is required to set the segment current for all LEDs. The 7221 is compatible with SPI[™], QSPI[™], and MICROWIRE[™], and has slew-rate-limited segment drivers to reduce EMI.

A convenient 4-wire serial interface connects to all common μ Ps. Individual digits may be addressed and updated without rewriting the entire display. The 7219/7221 also allow the user to select code-B decoding or no-decode for each digit.

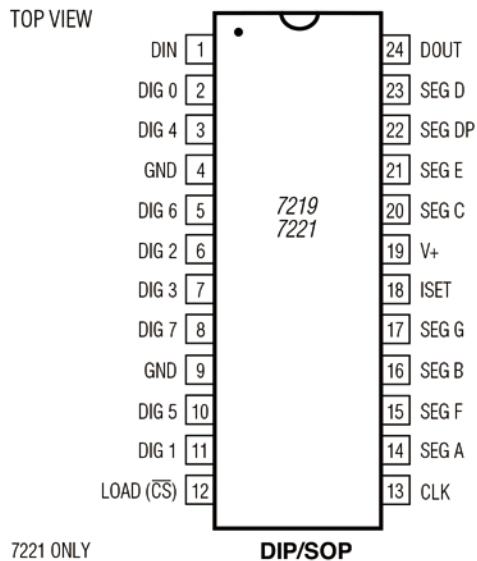
The devices include a 150 μ A low-power shutdown mode, analog and digital brightness control, a scan-limit register that allows the user to display from 1 to 8 digits, and a test mode that forces all LEDs on.

For applications requiring 3V operation or segment blinking, refer to the 6951 data sheet.

Applications

| | |
|------------------------|---------------------|
| Bar-Graph Displays | Panel Meters |
| Industrial Controllers | LED Matrix Displays |

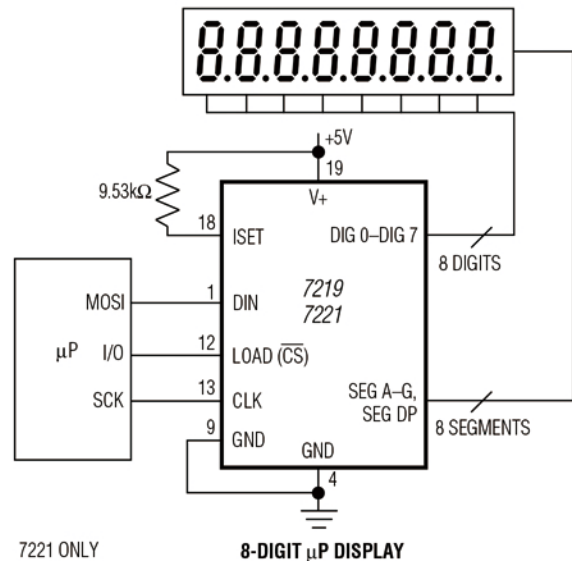
Pin Configuration



Features

- ◆ 10MHz Serial Interface
- ◆ Individual LED Segment Control
- ◆ Decode/No-Decode Digit Selection
- ◆ 150 μ A Low-Power Shutdown (Data Retained)
- ◆ Digital and Analog Brightness Control
- ◆ Display Blanked on Power-Up
- ◆ Drive Common-Cathode LED Display
- ◆ Slew-Rate Limited Segment Drivers for Lower EMI (7221)
- ◆ SPI, QSPI, MICROWIRE Serial Interface (7221)
- ◆ 24-Pin DIP and SO Packages

Typical Application Circuit



XD7219 DIP24 / XL7219 SOP24 XD7221 DIP24 / XL7221 SOP24

ABSOLUTE MAXIMUM RATINGS

| | |
|---|----------------------|
| Voltage (with respect to GND) | |
| V+ | -0.3V to 6V |
| DIN, CLK, LOAD, \overline{CS} | -0.3V to 6V |
| All Other Pins | -0.3V to (V+ + 0.3V) |
| Current | |
| DIG 0–DIG 7 Sink Current | 500mA |
| SEG A–G, DP Source Current | 100mA |
| Continuous Power Dissipation (T _A = +85°C) | |
| Narrow Plastic DIP (derate 13.3mW/°C above +70°C) | 1066mW |
| Wide SO (derate 11.8mW/°C above +70°C) | 941mW |
| Narrow CERDIP (derate 12.5mW/°C above +70°C) ... | 1000mW |

| | |
|--|-----------------|
| Operating Temperature Ranges (T _{MIN} to T _{MAX}) | |
| 7219/7221 | 0°C to +70°C |
| 7219/7221 | -40°C to +85°C |
| Storage Temperature Range | -65°C to +160°C |
| Lead Temperature (soldering, 10s) | +300°C |

Stresses beyond those listed under "Absolute Maximum Ratings" may cause permanent damage to the device. These are stress ratings only, and functional operation of the device at these or any other conditions beyond those indicated in the operational sections of the specifications is not implied. Exposure to absolute maximum rating conditions for extended periods may affect device reliability.

ELECTRICAL CHARACTERISTICS

(V+ = 5V ±10%, R_{SET} = 9.53kΩ ±1%, T_A = T_{MIN} to T_{MAX}, unless otherwise noted.)

| PARAMETER | SYMBOL | CONDITIONS | MIN | TYP | MAX | UNITS |
|--|-----------------------|---|-----|-----|------|-------|
| Operating Supply Voltage | V+ | | 4.0 | | 5.5 | V |
| Shutdown Supply Current | I+ | All digital inputs at V+ or GND, T _A = +25°C | | | 150 | μA |
| Operating Supply Current | I+ | R _{SET} = open circuit | | | 8 | mA |
| | | All segments and decimal point on, I _{SEG_} = -40mA | | 330 | | |
| Display Scan Rate | f _{OSC} | 8 digits scanned | 500 | 800 | 1300 | Hz |
| Digit Drive Sink Current | I _{DIGIT} | V+ = 5V, V _{OUT} = 0.65V | 320 | | | mA |
| Segment Drive Source Current | I _{SEG} | T _A = +25°C, V+ = 5V, V _{OUT} = (V+ - 1V) | -30 | -40 | -45 | mA |
| Segment Current Slew Rate (7221 only) | ΔI _{SEG} /Δt | T _A = +25°C, V+ = 5V, V _{OUT} = (V+ - 1V) | 10 | 20 | 50 | mA/μs |
| Segment Drive Current Matching | ΔI _{SEG} | | | 3.0 | | % |
| Digit Drive Leakage (7221 only) | I _{DIGIT} | Digit off, V _{DIGIT} = V+ | | | -10 | μA |
| Segment Drive Leakage (7221 only) | I _{SEG} | Segment off, V _{SEG} = 0V | | | 1 | μA |
| Digit Drive Source Current (7219 only) | I _{DIGIT} | Digit off, V _{DIGIT} = (V+ - 0.3V) | -2 | | | mA |
| Segment Drive Sink Current (7219 only) | I _{SEG} | Segment off, V _{SEG} = 0.3V | 5 | | | mA |

XD7219 DIP24 / XL7219 SOP24 XD7221 DIP24 / XL7221 SOP24

ELECTRICAL CHARACTERISTICS (continued)

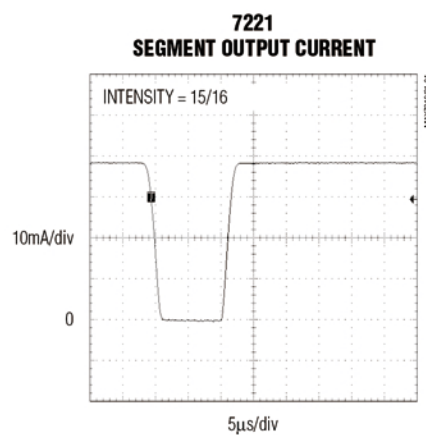
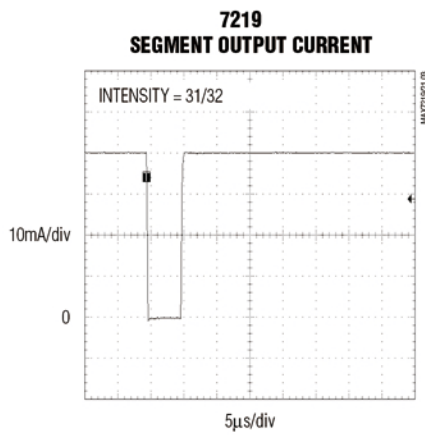
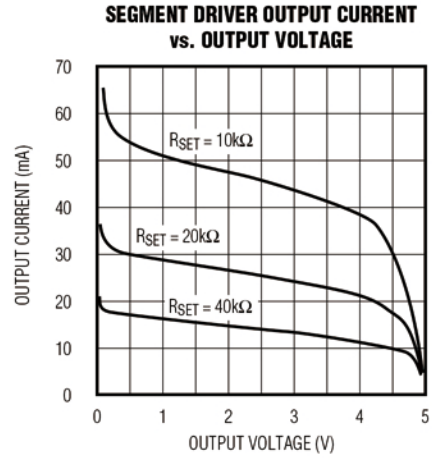
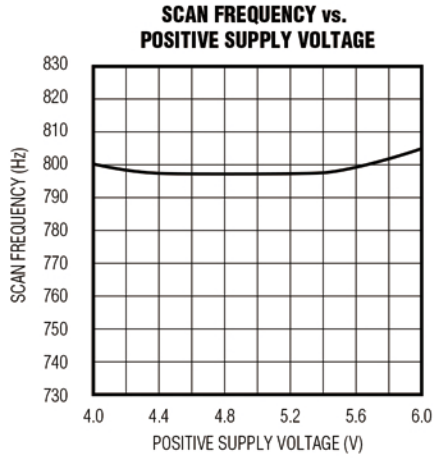
(V+ = 5V ±10%, RSET = 9.53kΩ ±1%, TA = TMIN to TMAX, unless otherwise noted.)

| PARAMETER | SYMBOL | CONDITIONS | MIN | TYP | MAX | UNITS |
|--|-----------------------------------|----------------------------------|--------|-----|------|-------|
| LOGIC INPUTS | | | | | | |
| Input Current DIN, CLK, LOAD, \overline{CS} | I _{IH} , I _{IL} | V _{IN} = 0V or V+ | -1 | | 1 | μA |
| Logic High Input Voltage | V _{IH} | | 3.5 | | | V |
| Logic Low Input Voltage | V _{IL} | | | | 0.8 | V |
| Output High Voltage | V _{OH} | DOUT, I _{SOURCE} = -1mA | V+ - 1 | | | V |
| Output Low Voltage | V _{OL} | DOUT, I _{SINK} = 1.6mA | | | 0.4 | V |
| Hysteresis Voltage | ΔV _I | DIN, CLK, LOAD, \overline{CS} | | 1 | | V |
| TIMING CHARACTERISTICS | | | | | | |
| CLK Clock Period | t _{CP} | | 100 | | | ns |
| CLK Pulse Width High | t _{CH} | | 50 | | | ns |
| CLK Pulse Width Low | t _{CL} | | 50 | | | ns |
| \overline{CS} Fall to SCLK Rise Setup Time (7221 only) | t _{CSS} | | 25 | | | ns |
| CLK Rise to \overline{CS} or LOAD Rise Hold Time | t _{CSH} | | 0 | | | ns |
| DIN Setup Time | t _{DS} | | 25 | | | ns |
| DIN Hold Time | t _{DH} | | 0 | | | ns |
| Output Data Propagation Delay | t _{DO} | C _{LOAD} = 50pF | | | 25 | ns |
| Load-Rising Edge to Next Clock Rising Edge (7219 only) | t _{LDCK} | | 50 | | | ns |
| Minimum \overline{CS} or LOAD Pulse High | t _{CSW} | | 50 | | | ns |
| Data-to-Segment Delay | t _{DSPD} | | | | 2.25 | ms |

XD7219 DIP24 / XL7219 SOP24 XD7221 DIP24 / XL7221 SOP24

Typical Operating Characteristics

(V+ = +5V, T_A = +25°C, unless otherwise noted.)

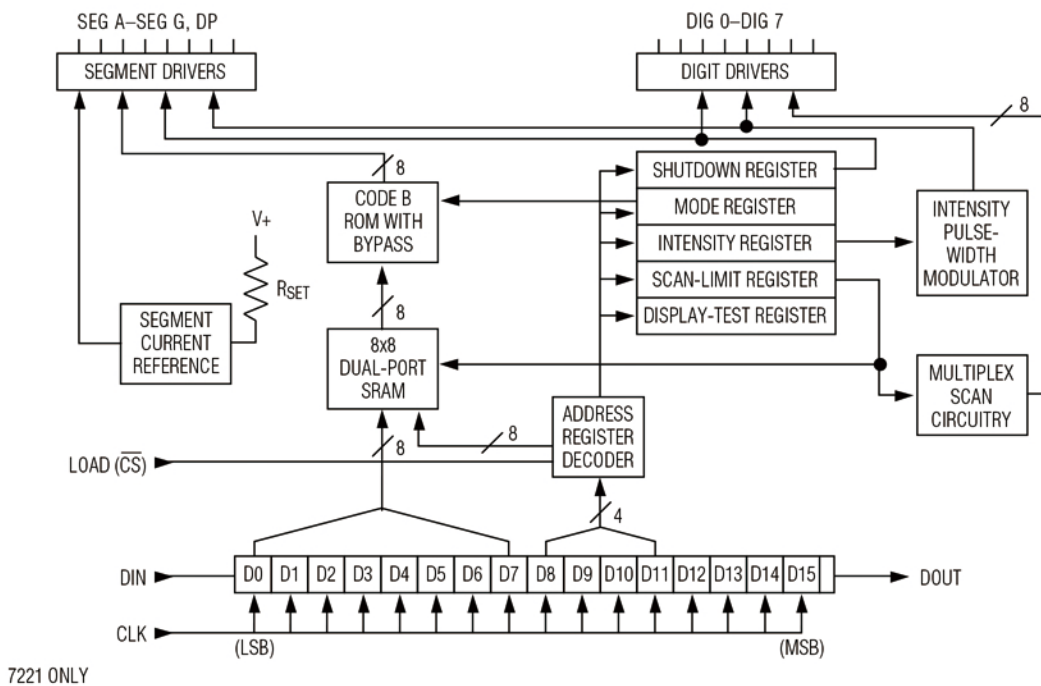


XD7219 DIP24 / XL7219 SOP24 XD7221 DIP24 / XL7221 SOP24

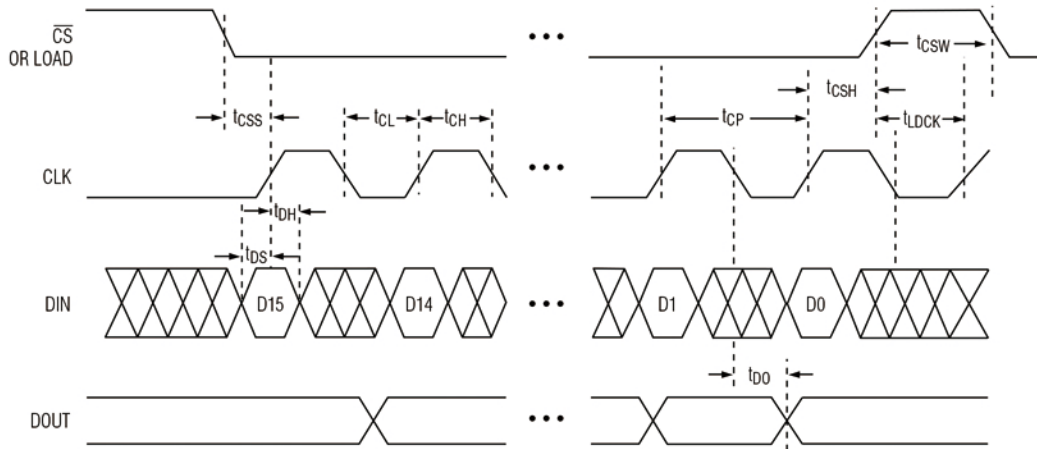
Pin Description

| PIN | NAME | FUNCTION |
|-------------------|-------------------------------|--|
| 1 | DIN | Serial-Data Input. Data is loaded into the internal 16-bit shift register on CLK's rising edge. |
| 2, 3, 5-8, 10, 11 | DIG 0-DIG 7 | Eight-Digit Drive Lines that sink current from the display common cathode. The 7219 pulls the digit outputs to V+ when turned off. The 7221's digit drivers are high-impedance when turned off. |
| 4, 9 | GND | Ground (both GND pins must be connected) |
| 12 | LOAD (7219) | Load-Data Input. The last 16 bits of serial data are latched on LOAD's rising edge. |
| | $\overline{\text{CS}}$ (7221) | Chip-Select Input. Serial data is loaded into the shift register while $\overline{\text{CS}}$ is low. The last 16 bits of serial data are latched on $\overline{\text{CS}}$'s rising edge. |
| 13 | CLK | Serial-Clock Input. 10MHz maximum rate. On CLK's rising edge, data is shifted into the internal shift register. On CLK's falling edge, data is clocked out of DOUT. On the 7221, the CLK input is active only while $\overline{\text{CS}}$ is low. |
| 14-17, 20-23 | SEG A-SEG G, DP | Seven Segment Drives and Decimal Point Drive that source current to the display. On the 7219, when a segment driver is turned off it is pulled to GND. The 7221 segment drivers are high-impedance when turned off. |
| 18 | ISET | Connect to V _{DD} through a resistor (R _{SET}) to set the peak segment current (Refer to <i>Selecting R_{SET} Resistor and Using External Drivers</i> section). |
| 19 | V+ | Positive Supply Voltage. Connect to +5V. |
| 24 | DOUT | Serial-Data Output. The data into DIN is valid at DOUT 16.5 clock cycles later. This pin is used to daisy-chain several 7219/7221's and is never high-impedance. |

Functional Diagram



XD7219 DIP24 / XL7219 SOP24 XD7221 DIP24 / XL7221 SOP24



Timing Diagram

Table 1. Serial-Data Format (16 Bits)

| D15 | D14 | D13 | D12 | D11 | D10 | D9 | D8 | D7 | D6 | D5 | D4 | D3 | D2 | D1 | D0 | | |
|-----|-----|-----|-----|---------|-----|----|----|------|----|----|----|----|----|----|----|-----|-----|
| X | X | X | X | ADDRESS | | | | DATA | | | | | | | | MSB | LSB |

Detailed Description

7219/7221 Differences

The 7219 and 7221 are identical except for two parameters: the 7221 segment drivers are slew-rate limited to reduce electromagnetic interference (EMI), and its serial interface is fully SPI compatible.

Serial-Addressing Modes

For the 7219, serial data at DIN, sent in 16-bit packets, is shifted into the internal 16-bit shift register with each rising edge of CLK regardless of the state of LOAD. For the 7221, \overline{CS} must be low to clock data in or out. The data is then latched into either the digit or control registers on the rising edge of LOAD/ \overline{CS} . LOAD/ \overline{CS} must go high concurrently with or after the 16th rising clock edge, but before the next rising clock edge or data will be lost. Data at DIN is propagated through the shift register and appears at DOUT 16.5 clock cycles later. Data is clocked out on the falling edge of CLK. Data bits are labeled D0–D15 (Table 1). D8–D11 contain the register address. D0–D7 contain the data, and D12–D15 are “don’t care” bits. The first received is D15, the most significant bit (MSB).

Digit and Control Registers

Table 2 lists the 14 addressable digit and control registers. The digit registers are realized with an on-chip, 8x8 dual-port SRAM. They are addressed directly so that individual digits can be updated and retain data as long as $V+$ typically exceeds 2V. The control registers consist of decode mode, display intensity, scan limit (number of scanned digits), shutdown, and display test (all LEDs on).

Shutdown Mode

When the 7219 is in shutdown mode, the scan oscillator is halted, all segment current sources are pulled to $V+$, thereby blanking the display. The 7221 is identical, except the drivers are high-impedance. Data in the digit and control registers remains unaltered. Shutdown can be used to save power or as an alarm to flash the display by successively entering and leaving shutdown mode. For minimum supply current in shutdown mode, logic inputs should be at ground or $V+$ (CMOS-logic levels).

Typically, it takes less than 250 μ s for the 7219/7221 to leave shutdown mode. The display driver can be programmed while in shutdown mode, and shutdown mode can be overridden by the display-test function.

XD7219 DIP24 / XL7219 SOP24 XD7221 DIP24 / XL7221 SOP24

Table 2. Register Address Map

| REGISTER | ADDRESS | | | | | HEX CODE |
|--------------|---------|-----|-----|----|----|----------|
| | D15–D12 | D11 | D10 | D9 | D8 | |
| No-Op | X | 0 | 0 | 0 | 0 | 0xX0 |
| Digit 0 | X | 0 | 0 | 0 | 1 | 0xX1 |
| Digit 1 | X | 0 | 0 | 1 | 0 | 0xX2 |
| Digit 2 | X | 0 | 0 | 1 | 1 | 0xX3 |
| Digit 3 | X | 0 | 1 | 0 | 0 | 0xX4 |
| Digit 4 | X | 0 | 1 | 0 | 1 | 0xX5 |
| Digit 5 | X | 0 | 1 | 1 | 0 | 0xX6 |
| Digit 6 | X | 0 | 1 | 1 | 1 | 0xX7 |
| Digit 7 | X | 1 | 0 | 0 | 0 | 0xX8 |
| Decode Mode | X | 1 | 0 | 0 | 1 | 0xX9 |
| Intensity | X | 1 | 0 | 1 | 0 | 0xXA |
| Scan Limit | X | 1 | 0 | 1 | 1 | 0xXB |
| Shutdown | X | 1 | 1 | 0 | 0 | 0xXC |
| Display Test | X | 1 | 1 | 1 | 1 | 0xFF |

Initial Power-Up

On initial power-up, all control registers are reset, the display is blanked, and the 7219/7221 enter shutdown mode. Program the display driver prior to display use. Otherwise, it will initially be set to scan one digit, it will not decode data in the data registers, and the intensity register will be set to its minimum value.

Decode-Mode Register

The decode-mode register sets BCD code B (0-9, E, H, L, P, and -) or no-decode operation for each digit. Each bit in the register corresponds to one digit. A logic high selects code B decoding while logic low bypasses the decoder. Examples of the decode mode control-register format are shown in Table 4.

When the code B decode mode is used, the decoder looks only at the lower nibble of the data in the digit registers (D3–D0), disregarding bits D4–D6. D7, which sets the decimal point (SEG DP), is independent of the decoder and is positive logic (D7 = 1 turns the decimal point on). Table 5 lists the code B font.

When no-decode is selected, data bits D7–D0 correspond to the segment lines of the 7219/7221.

Table 6 shows the one-to-one pairing of each data bit to the appropriate segment line.

Table 3. Shutdown Register Format (Address (Hex) = 0xXC)

| MODE | ADDRESS CODE (HEX) | REGISTER DATA | | | | | | | |
|------------------|--------------------|---------------|----|----|----|----|----|----|----|
| | | D7 | D6 | D5 | D4 | D3 | D2 | D1 | D0 |
| Shutdown Mode | 0xXC | X | X | X | X | X | X | X | 0 |
| Normal Operation | 0xXC | X | X | X | X | X | X | X | 1 |

Table 4. Decode-Mode Register Examples (Address (Hex) = 0xX9)

| DECODE MODE | REGISTER DATA | | | | | | | | HEX CODE |
|--|---------------|----|----|----|----|----|----|----|----------|
| | D7 | D6 | D5 | D4 | D3 | D2 | D1 | D0 | |
| No decode for digits 7–0 | 0 | 0 | 0 | 0 | 0 | 0 | 0 | 0 | 0x00 |
| Code B decode for digit 0 No decode for digits 7–1 | 0 | 0 | 0 | 0 | 0 | 0 | 0 | 1 | 0x01 |
| Code B decode for digits 3–0 No decode for digits 7–4 | 0 | 0 | 0 | 0 | 1 | 1 | 1 | 1 | 0x0F |
| Code B decode for digits 7–0 | 1 | 1 | 1 | 1 | 1 | 1 | 1 | 1 | 0xFF |

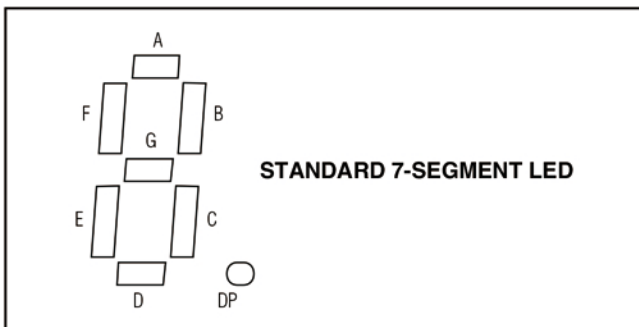
XD7219 DIP24 / XL7219 SOP24 XD7221 DIP24 / XL7221 SOP24

Table 5. Code B Font

| 7-SEGMENT CHARACTER | REGISTER DATA | | | | | | ON SEGMENTS = 1 | | | | | | | |
|---------------------|---------------|-------|----|----|----|----|-----------------|---|---|---|---|---|---|---|
| | D7* | D6-D4 | D3 | D2 | D1 | D0 | DP* | A | B | C | D | E | F | G |
| 0 | | X | 0 | 0 | 0 | 0 | | 1 | 1 | 1 | 1 | 1 | 1 | 0 |
| 1 | | X | 0 | 0 | 0 | 1 | | 0 | 1 | 1 | 0 | 0 | 0 | 0 |
| 2 | | X | 0 | 0 | 1 | 0 | | 1 | 1 | 0 | 1 | 1 | 0 | 1 |
| 3 | | X | 0 | 0 | 1 | 1 | | 1 | 1 | 1 | 1 | 0 | 0 | 1 |
| 4 | | X | 0 | 1 | 0 | 0 | | 0 | 1 | 1 | 0 | 0 | 1 | 1 |
| 5 | | X | 0 | 1 | 0 | 1 | | 1 | 0 | 1 | 1 | 0 | 1 | 1 |
| 6 | | X | 0 | 1 | 1 | 0 | | 1 | 0 | 1 | 1 | 1 | 1 | 1 |
| 7 | | X | 0 | 1 | 1 | 1 | | 1 | 1 | 1 | 0 | 0 | 0 | 0 |
| 8 | | X | 1 | 0 | 0 | 0 | | 1 | 1 | 1 | 1 | 1 | 1 | 1 |
| 9 | | X | 1 | 0 | 0 | 1 | | 1 | 1 | 1 | 1 | 0 | 1 | 1 |
| — | | X | 1 | 0 | 1 | 0 | | 0 | 0 | 0 | 0 | 0 | 0 | 1 |
| E | | X | 1 | 0 | 1 | 1 | | 1 | 0 | 0 | 1 | 1 | 1 | 1 |
| H | | X | 1 | 1 | 0 | 0 | | 0 | 1 | 1 | 0 | 1 | 1 | 1 |
| L | | X | 1 | 1 | 0 | 1 | | 0 | 0 | 0 | 1 | 1 | 1 | 0 |
| P | | X | 1 | 1 | 1 | 0 | | 1 | 1 | 0 | 0 | 1 | 1 | 1 |
| blank | | X | 1 | 1 | 1 | 1 | | 0 | 0 | 0 | 0 | 0 | 0 | 0 |

*The decimal point is set by bit D7 = 1

Table 6. No-Decode Mode Data Bits and Corresponding Segment Lines



| | REGISTER DATA | | | | | | | |
|----------------------------|---------------|----|----|----|----|----|----|----|
| | D7 | D6 | D5 | D4 | D3 | D2 | D1 | D0 |
| Corresponding Segment Line | DP | A | B | C | D | E | F | G |

Intensity Control and Interdigit Blanking

The 7219/7221 allow display brightness to be controlled with an external resistor (RSET) connected between V+ and ISET. The peak current sourced from the segment drivers is nominally 100 times the current entering ISET. This resistor can either be fixed or variable to allow brightness adjustment from the front panel. Its minimum value should be 9.53kΩ, which typically sets the segment current at 40mA. Display brightness can also be controlled digitally by using the intensity register.

Digital control of display brightness is provided by an internal pulse-width modulator, which is controlled by the lower nibble of the intensity register. The modulator scales the average segment current in 16 steps from a maximum of 31/32 down to 1/32 of the peak current set by RSET (15/16 to 1/16 on 7221). Table 7 lists the intensity register format. The minimum interdigit blanking time is set to 1/32 of a cycle.

XD7219 DIP24 / XL7219 SOP24 XD7221 DIP24 / XL7221 SOP24

Table 7. Intensity Register Format (Address (Hex) = 0xXA)

| DUTY CYCLE | | D7 | D6 | D5 | D4 | D3 | D2 | D1 | D0 | HEX CODE |
|------------------|-------------------|----|----|----|----|----|----|----|----|----------|
| 7219 | 7221 | | | | | | | | | |
| 1/32 (min on) | 1/16 (min on) | X | X | X | X | 0 | 0 | 0 | 0 | 0xX0 |
| 3/32 | 2/16 | X | X | X | X | 0 | 0 | 0 | 1 | 0xX1 |
| 5/32 | 3/16 | X | X | X | X | 0 | 0 | 1 | 0 | 0xX2 |
| 7/32 | 4/16 | X | X | X | X | 0 | 0 | 1 | 1 | 0xX3 |
| 9/32 | 5/16 | X | X | X | X | 0 | 1 | 0 | 0 | 0xX4 |
| 11/32 | 6/16 | X | X | X | X | 0 | 1 | 0 | 1 | 0xX5 |
| 13/32 | 7/16 | X | X | X | X | 0 | 1 | 1 | 0 | 0xX6 |
| 15/32 | 8/16 | X | X | X | X | 0 | 1 | 1 | 1 | 0xX7 |
| 17/32 | 9/16 | X | X | X | X | 1 | 0 | 0 | 0 | 0xX8 |
| 19/32 | 10/16 | X | X | X | X | 1 | 0 | 0 | 1 | 0xX9 |
| 21/32 | 11/16 | X | X | X | X | 1 | 0 | 1 | 0 | 0xXA |
| 23/32 | 12/16 | X | X | X | X | 1 | 0 | 1 | 1 | 0xXB |
| 25/32 | 13/16 | X | X | X | X | 1 | 1 | 0 | 0 | 0xXC |
| 27/32 | 14/16 | X | X | X | X | 1 | 1 | 0 | 1 | 0xXD |
| 29/32 | 15/16 | X | X | X | X | 1 | 1 | 1 | 0 | 0xXE |
| 31/32 | 15/16 (max on) | X | X | X | X | 1 | 1 | 1 | 1 | 0xFF |

Table 8. Scan-Limit Register Format (Address (Hex) = 0xXB)

| SCAN LIMIT | REGISTER DATA | | | | | | | | HEX CODE |
|--------------------------------|---------------|----|----|----|----|----|----|----|----------|
| | D7 | D6 | D5 | D4 | D3 | D2 | D1 | D0 | |
| Display digit 0 only* | X | X | X | X | X | 0 | 0 | 0 | 0xX0 |
| Display digits 0 & 1* | X | X | X | X | X | 0 | 0 | 1 | 0xX1 |
| Display digits 0 1 2* | X | X | X | X | X | 0 | 1 | 0 | 0xX2 |
| Display digits 0 1 2 3 | X | X | X | X | X | 0 | 1 | 1 | 0xX3 |
| Display digits 0 1 2 3 4 | X | X | X | X | X | 1 | 0 | 0 | 0xX4 |
| Display digits 0 1 2 3 4 5 | X | X | X | X | X | 1 | 0 | 1 | 0xX5 |
| Display digits 0 1 2 3 4 5 6 | X | X | X | X | X | 1 | 1 | 0 | 0xX6 |
| Display digits 0 1 2 3 4 5 6 7 | X | X | X | X | X | 1 | 1 | 1 | 0xX7 |

*See Scan-Limit Register section for application.

Scan-Limit Register

The scan-limit register sets how many digits are displayed, from 1 to 8. They are displayed in a multiplexed manner with a typical display scan rate of 800Hz with 8 digits displayed. If fewer digits are displayed, the scan rate is $8f_{osc}/N$, where N is the number of digits

scanned. Since the number of scanned digits affects the display brightness, the scan-limit register should not be used to blank portions of the display (such as leading zero suppression). Table 8 lists the scan-limit register format.

XD7219 DIP24 / XL7219 SOP24 XD7221 DIP24 / XL7221 SOP24

If the scan-limit register is set for three digits or less, individual digit drivers will dissipate excessive amounts of power. Consequently, the value of the RSET resistor must be adjusted according to the number of digits displayed, to limit individual digit driver power dissipation. Table 9 lists the number of digits displayed and the corresponding maximum recommended segment current when the digit drivers are used.

Display-Test Register

The display-test register operates in two modes: normal and display test. Display-test mode turns all LEDs on by overriding, but not altering, all controls and digit registers (including the shutdown register). In display-test mode, 8 digits are scanned and the duty cycle is 31/32 (15/16 for 7221). Table 10 lists the display-test register format.

Table 9. Maximum Segment Current for 1-, 2-, or 3-Digit Displays

| NUMBER OF DIGITS DISPLAYED | MAXIMUM SEGMENT CURRENT (mA) |
|----------------------------|------------------------------|
| 1 | 10 |
| 2 | 20 |
| 3 | 30 |

Table 10. Display-Test Register Format (Address (Hex) = 0xXF)

| MODE | REGISTER DATA | | | | | | | |
|-------------------|---------------|----|----|----|----|----|----|----|
| | D7 | D6 | D5 | D4 | D3 | D2 | D1 | D0 |
| Normal Operation | X | X | X | X | X | X | X | 0 |
| Display Test Mode | X | X | X | X | X | X | X | 1 |

Note: The 7219/7221 remain in display-test mode (all LEDs on) until the display-test register is reconfigured for normal operation.

No-Op Register

The no-op register is used when cascading 7219s or 7221s. Connect all devices' LOAD/ \overline{CS} inputs together and connect DOUT to DIN on adjacent devices. DOUT is a CMOS logic-level output that easily drives DIN of successively cascaded parts. (Refer to the *Serial Addressing Modes* section for detailed information on serial input/output timing.) For example, if four 7219s are cascaded, then to write to the

fourth chip, sent the desired 16-bit word, followed by three no-op codes (hex 0xXX0X, see Table 2). When LOAD/CS goes high, data is latched in all devices. The first three chips receive no-op commands, and the fourth receives the intended data.

Applications Information

Supply Bypassing and Wiring

To minimize power-supply ripple due to the peak digit driver currents, connect a 10 μ F electrolytic and a 0.1 μ F ceramic capacitor between V+ and GND as close to the device as possible. The 7219/7221 should be placed in close proximity to the LED display, and connections should be kept as short as possible to minimize the effects of wiring inductance and electromagnetic interference. Also, both GND pins must be connected to ground.

Selecting RSET Resistor and Using External Drivers

The current per segment is approximately 100 times the current in ISET. To select RSET, see Table 11. The 7219/7221's maximum recommended segment current is 40mA. For segment current levels above these levels, external digit drivers will be needed. In this application, the 7219/7221 serve only as controllers for other high-current drivers or transistors. Therefore, to conserve power, use RSET = 47k Ω when using external current sources as segment drivers.

The example in Figure 2 uses the 7219/7221's segment drivers, a 394 single-pole double-throw analog switch, and external transistors to drive 2.3" AND2307SLC common-cathode displays. The 5.6V zener diode has been added in series with the decimal point LED because the decimal point LED forward voltage is typically 4.2V. For all other segments the LED forward voltage is typically 8V. Since external transistors are used to sink current (DIG 0 and DIG 1 are used as logic switches), peak segment currents of 45mA are allowed even though only two digits are displayed. In applications where the 7219/7221's digit drivers are used to sink current and fewer than four digits are displayed, Table 9 specifies the maximum allowable segment current. RSET must be selected accordingly (Table 11).

Refer to the *Continuous Power Dissipation* section of the *Absolute Maximum Ratings* to calculate acceptable limits for ambient temperature, segment current, and the LED forward-voltage drop.

XD7219 DIP24 / XL7219 SOP24 XD7221 DIP24 / XL7221 SOP24

Table 11. RSET vs. Segment Current and LED Forward Voltage

| ISEG (mA) | VLED (V) | | | | |
|-----------|----------|------|------|------|------|
| | 1.5 | 2.0 | 2.5 | 3.0 | 3.5 |
| 40 | 12.2 | 11.8 | 11.0 | 10.6 | 9.69 |
| 30 | 17.8 | 17.1 | 15.8 | 15.0 | 14.0 |
| 20 | 29.8 | 28.0 | 25.9 | 24.5 | 22.6 |
| 10 | 66.7 | 63.7 | 59.3 | 55.4 | 51.2 |

Table 12. Package Thermal Resistance Data

| PACKAGE | THERMAL RESISTANCE (θJA) |
|---|--------------------------|
| 24 Narrow DIP | +75°C/W |
| 24 Wide SO | +85°C/W |
| 24 CERDIP | +80°C/W |
| Maximum Junction Temperature (T _J) = +150°C | |
| Maximum Ambient Temperature (T _A) = +85°C | |

Computing Power Dissipation

The upper limit for power dissipation (PD) for the 7219/7221 is determined from the following equation:

$$PD = (V_+ \times 8mA) + (V_+ - V_{LED})(DUTY \times I_{SEG} \times N)$$

where:

V₊ = supply voltage

DUTY = duty cycle set by intensity register

N = number of segments driven (worst case is 8)

V_{LED} = LED forward voltage

I_{SEG} = segment current set by RSET

Dissipation example:

I_{SEG} = 40mA, N = 8, DUTY = 31/32, V_{LED} = 1.8V at 40mA, V₊ = 5.25V

$$PD = (5.25V \times 8mA) + (5.25V - 1.8V)(31/32 \times 40mA \times 8) = 1.11W$$

Thus, for a CERDIP package (θ_{JA} = +80°C/W from Table 12), the maximum allowed ambient temperature T_A is given by:

$$T_{J(MAX)} = T_A + PD \times \theta_{JA}$$

$$150^\circ C = T_A + 1.11W \times 80^\circ C/W$$

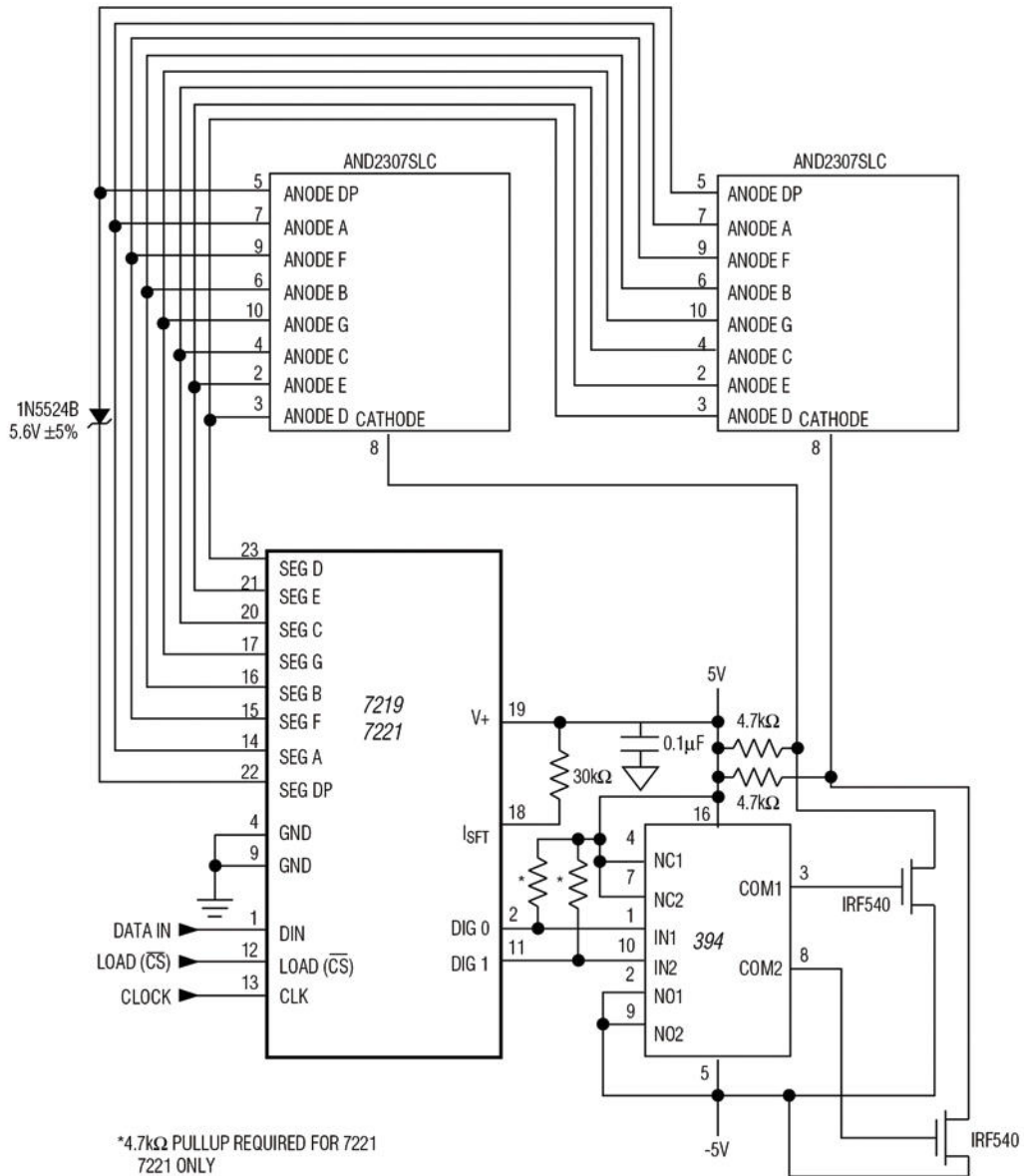
where T_A = +61.2°C.

The T_A limits for PDIP and SO packages in the dissipation example above are +66.7°C and +55.6°C, respectively.

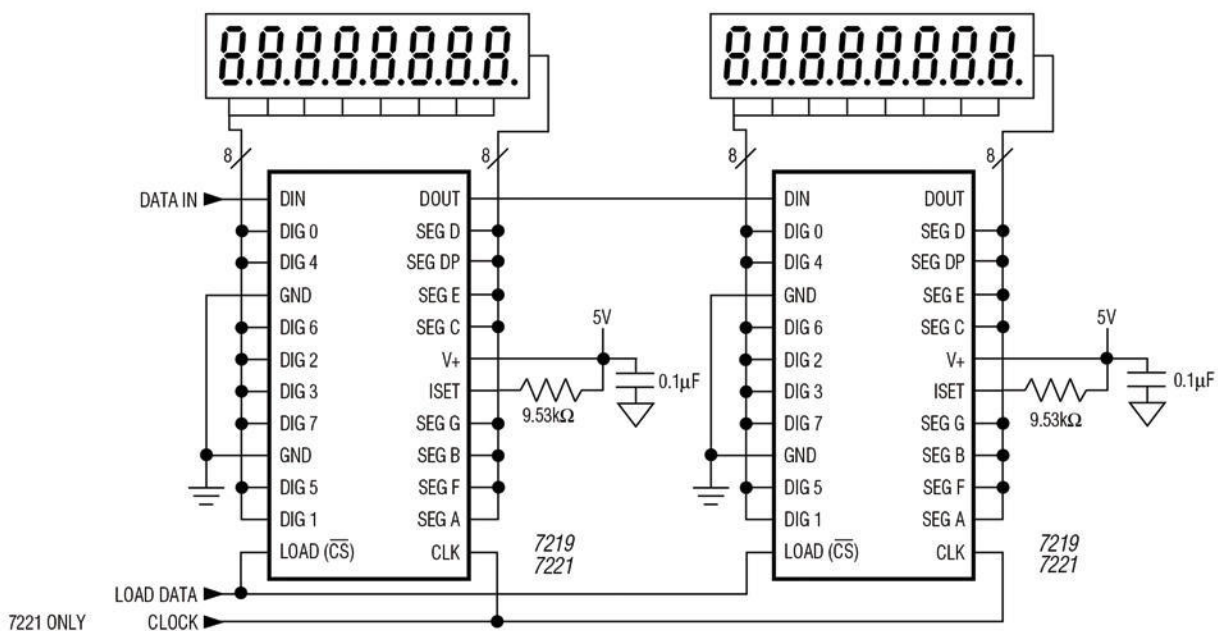
Cascading Drivers

The example in Figure 3 drives 16 digits using a 3-wire μP interface. If the number of digits is not a multiple of 8, set both drivers' scan limits registers to the same number so one display will not appear brighter than the other. For example, if 12 digits are need, use 6 digits per display with both scan-limit registers set for 6 digits so that both displays have a 1/6 duty cycle per digit. If 11 digits are needed, set both scan-limit registers for 6 digits and leave one digit driver unconnected. If one display for 6 digits and the other for 5 digits, the second display will appear brighter because its duty cycle per digit will be 1/5 while the first display's will be 1/6. Refer to the *No-Op Register* section for additional information.

XD7219 DIP24 / XL7219 SOP24 XD7221 DIP24 / XL7221 SOP24

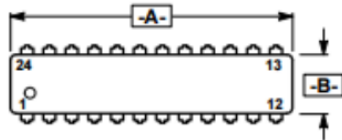
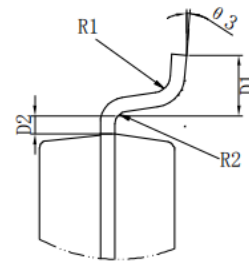
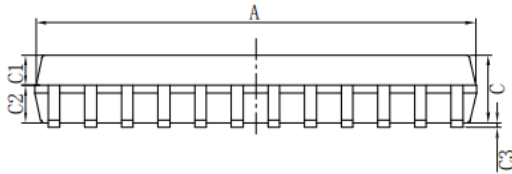
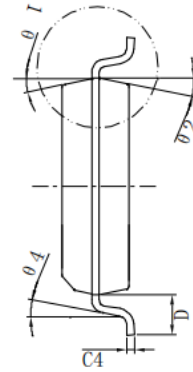
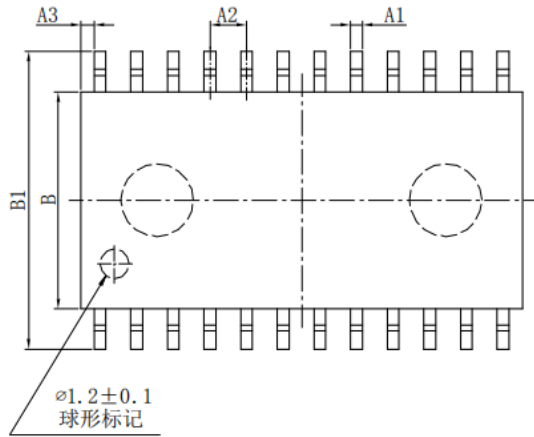


XD7219 DIP24 / XL7219 SOP24 XD7221 DIP24 / XL7221 SOP24

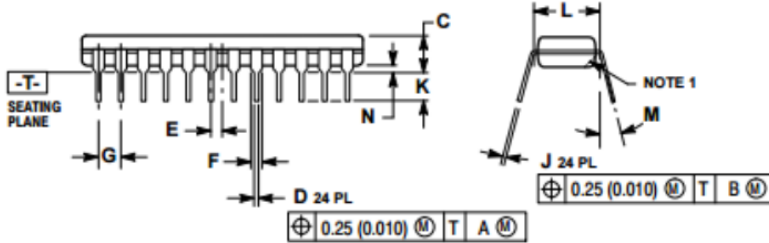


| 标注 | 尺寸 | 最小 (mm) | 最大 (mm) | 标注 | 尺寸 | 最小 (mm) | 最大 (mm) |
|----|----|----------|---------|-----|----|----------|---------|
| A | | 15.19 | 15.39 | C4 | | 0.246 | 0.262 |
| A1 | | 0.406TYP | | D | | 1.34 | 1.44 |
| A2 | | 1.22 | 1.32 | D1 | | 1.21TYP | |
| A3 | | 0.457TYP | | D2 | | 0.18TYP | |
| B | | 7.40 | 7.60 | R1 | | 0.30TYP | |
| B1 | | 10.206 | 10.406 | R2 | | 0.20TYP | |
| C | | 2.13 | 2.33 | θ 1 | | 12° TYP4 | |
| C1 | | 0.938 | 1.038 | θ 2 | | 12° TYP4 | |
| C2 | | 1.192 | 1.292 | θ 3 | | 0° ~ 8° | |
| C3 | | 0.145 | 0.205 | | | | |

XD7219 DIP24 / XL7219 SOP24 XD7221 DIP24 / XL7221 SOP24



- NOTES:
1. CHAMFERED CONTOUR OPTIONAL.
 2. DIMENSION L TO CENTER OF LEADS WHEN FORMED PARALLEL.
 3. DIMENSIONING AND TOLERANCING PER ANSI Y14.5M, 1982.
 4. CONTROLLING DIMENSION: INCH.



| DIM | INCHES | | MILLIMETERS | |
|-----|-----------|-------|-------------|-------|
| | MIN | MAX | MIN | MAX |
| A | 1.230 | 1.265 | 31.25 | 32.13 |
| B | 0.250 | 0.270 | 6.35 | 6.85 |
| C | 0.145 | 0.175 | 3.68 | 4.44 |
| D | 0.015 | 0.020 | 0.38 | 0.51 |
| E | 0.050 BSC | | 1.27 BSC | |
| F | 0.040 | 0.060 | 1.02 | 1.52 |
| G | 0.100 BSC | | 2.54 BSC | |
| J | 0.007 | 0.012 | 0.18 | 0.30 |
| K | 0.110 | 0.140 | 2.80 | 3.55 |
| L | 0.300 BSC | | 7.62 BSC | |
| M | 0° | 15° | 0° | 15° |
| N | 0.020 | 0.040 | 0.51 | 1.01 |

以上信息仅供参考. 如需帮助联系客服人员. 谢谢 XINLUDA