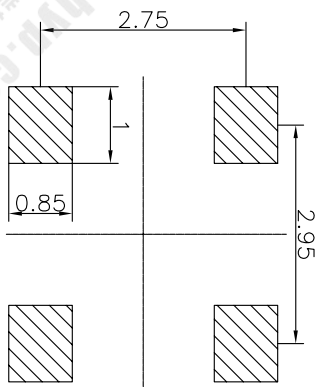
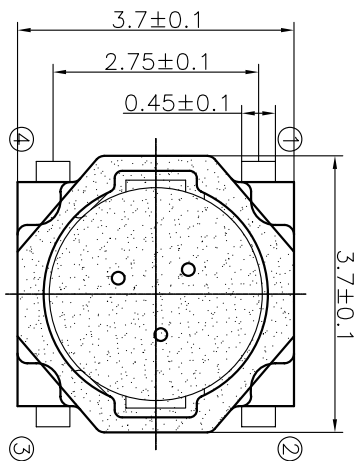


REV	ECN NO.	APPD
A	HC-16-0121	PROUJOM

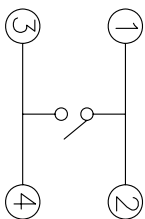
规格 Specifications

额定负荷 Rating	DC 12V/50mA	
接触电阻 Contact Resistance	100mΩ max.	
绝缘电阻 Insulation resistance	DC100V 60S 100MΩ min.	
抗电强度 Dielectric strength	AC250V(50~60HZ) 60S min.	
操作力 Operation force	160±30gf	250±50gf
寿命试验 Operating life	100,000cycles	70,000cycles
行程 Travels	0.13±0.05mm	



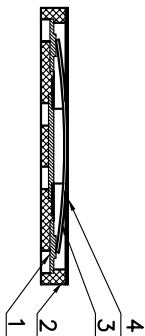
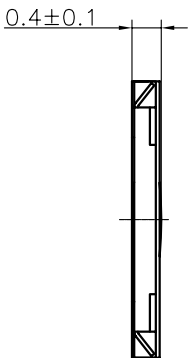
RECOMMENDED P.C.B. LAYOUT

安装尺寸图



CIRCUIT DIAGRAM

回路图



PRODUCT NO.: 1TS017C -*****-CT

轻触开关
3.7X3.7系列
外形:
材料:
0=LCP
1=新增材质
依次增加
产品高度(H):
04=0.40mm
非编带
编带, 不启用

操作力度:
160=160±30gf
250=250±50gf
手感:
0=常规
1=大手感
2=小手感

ITEM	PART NAME	QUANTITY	MATERIAL	FINISH
4	PE-FILE	1	PE	/
3	CONTACT	1	STAINLESS STEEL	Ag-PLATED
2	HOUSING	1	LCP	BLACK
1	TERMINAL	1	BRONZE	Ag-PLATED

X. ± 0.3	X' ± 3'	UNITS	MM
X ± 0.2	X' ± 2'	MAT'L	
.XX ± 0.1	.XX' ± 1'	FINISH	
XXX ± 0.05	XXX' ± 0.5'		

NAME(INTENDED USE)	HON YUAN
PART NO.(INTENDED USE)	3.7X3.7 TACT SWITCH
APPD:	ZO 2016-11-12
CHKD:	M.H.LI 2016-11-12
DR.Y.Y.Chen	2016-11-12
DWG NO.:	1TS017C

TITLE:	PRODUCT DRAWING
SCALE	10/1
SHEET	1/1
REV.	A

THESE DRAWINGS AND SPECIFICATIONS ARE THE PROPERTY OF HON YUAN PRECISION CO., LTD. AND SHALL NOT BE REPRODUCED, COPIED OR USED IN ANY MANNER WITHOUT THE PRIOR WRITTEN CONSENT OF HON YUAN PRECISION IND. CO., LTD.