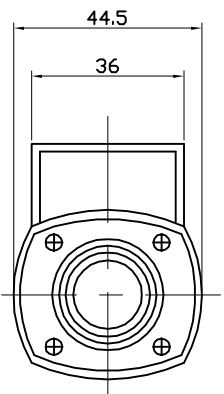
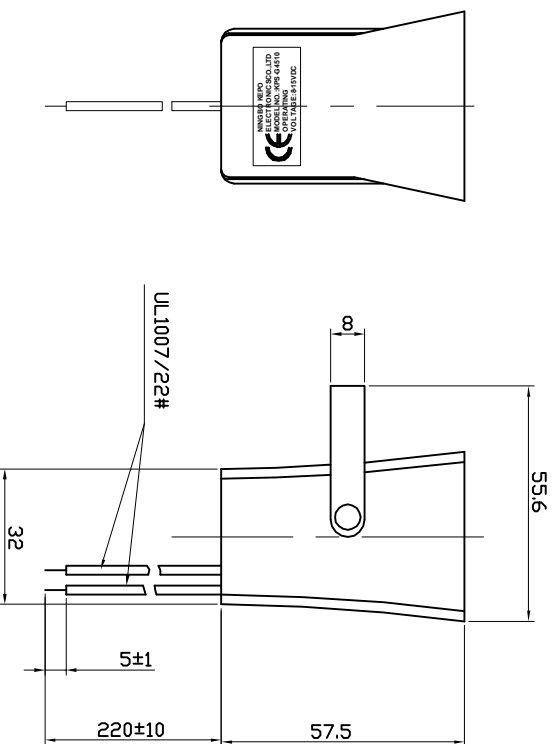


# Specification

(Test Condition, 25 °C)

1. Housing Material/ Color ..... ABS /Black
2. Power Rating RMS ..... 10 W
3. Power Rating Peak ..... 15 W
4. Rated Voltage ..... 12 VDC
5. Range Voltage ..... 8-15 VDC
6. S.P.L. .... min. 100 dB(at 1 meter, 12VDC)
7. Current Draw ..... 200 mA Max. (at 12 VDC)
8. Load Test ..... 8 Hours (at 12 VDC)
9. Heat Test ..... 8 Hours (at 65 °C)
10. Operating Temperature range ..... -20 ~ +65 °C
11. Wires Connection ..... Red +12V  
Black GND
12. Weight ..... 65±5 g



Compliance with ROHS			
<b>KEPO</b> NINGBO KEPO ELECTRONIC CO.,LTD http://www.chinaacoustic.com			
<b>Electronic Siren</b> KPS-G4510			
No.	DESCRIPTION	APPROVED	DATE
FORMING OPERATIONS			
DRAWN		CHECKED	
APPROVALS		APPROVED	
DATE		06.08.23	
UNIT		SCALE	
mm		NOT TO SCALE	
DRAWING NO		SHEET	
KP3.840.407R		VER 1.1	