

Single-pole Rocker Switch

Q-1099

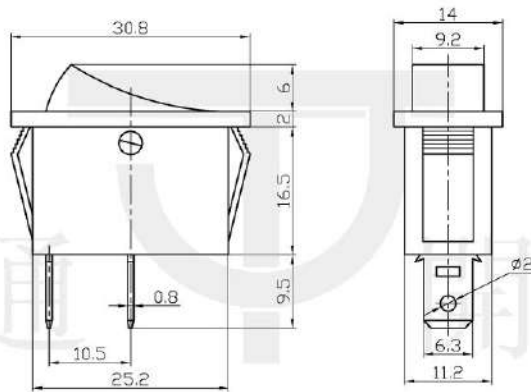
TYPE: **RS-101-16C3**
Cap Marking



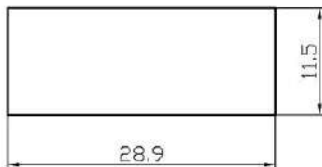
SPECIFICATIONS

Contact Type: SPST
Rating: 15A 250V AC
Contact R: 35mΩ max
Insulation R: 500V DC 100MΩ min
Dielectric Strength: 1 Minute 1500V AC
Operating Temperature: -25°C ~ +85°C
Electrical Life: 10,000 Cycles

Outline Drawing



Mounting



Circuitry

