

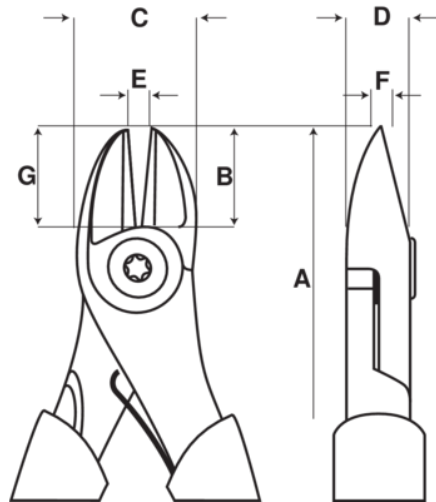


2101D
Side Cutting Pliers with Mono
Material Handles and Phosphate
Finish



PRODUCT DETAILS





- Side cutting pliers with mono-material handles
- Suitable for cutting Cu, Fe+ and piano wire
- Distance from joint to centre of cutting edges is reduced for greater leverage and increased cutting capacity
- High-performance alloy steel
- Phosphate finish, anti-corrosion treated



Follow the Fish!



PRODUCT ATTRIBUTES

Product	A	B	C	D	E	 Cu	 Fe+	 Piano	 g
2101D-125	125 mm	14.2 mm	17 mm	8 mm	1 mm	3.5 mm	1.8 mm	1.6 mm	90 g
2101D-140	140 mm	16,4 mm	19 mm	8 mm	1,5 mm	3.7 mm	2.0 mm	1.8 mm	120 g
2101D-160	160 mm	18,1 mm	21 mm	9 mm	2 mm	3.8 mm	2.5 mm	2.0 mm	170 g
2101D-180	180 mm	20 mm	23 mm	10 mm	2 mm	4.0 mm	2.7 mm	2.3 mm	230 g
2101D-125IP	125 mm	14.2 mm	17 mm	8 mm	1 mm	3.5 mm	1.8 mm	1.6 mm	90 g
2101D-140IP	140 mm	16,4 mm	19 mm	8 mm	1,5 mm	3.7 mm	2.0 mm	1.8 mm	120 g
2101D-160IP	160 mm	18,1 mm	21 mm	9 mm	2 mm	3.8 mm	2.5 mm	2.0 mm	170 g
2101D-180IP	180 mm	20 mm	23 mm	10 mm	2 mm	4.0 mm	2.7 mm	2.3 mm	230 g

Follow the Fish!

