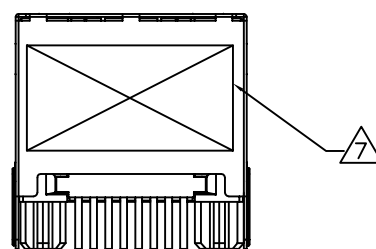
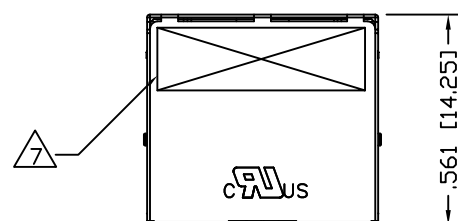
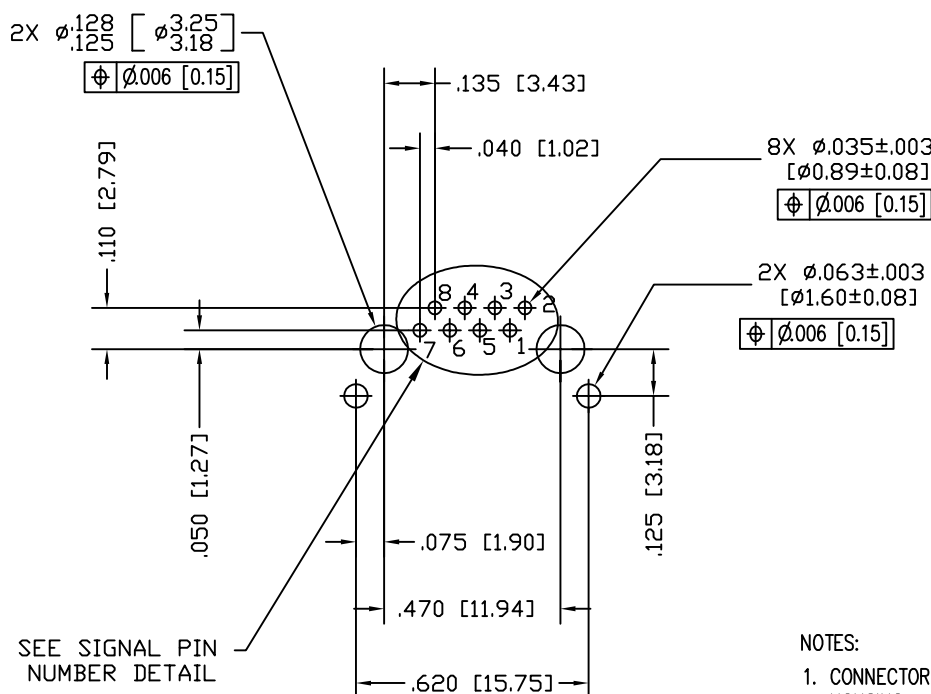
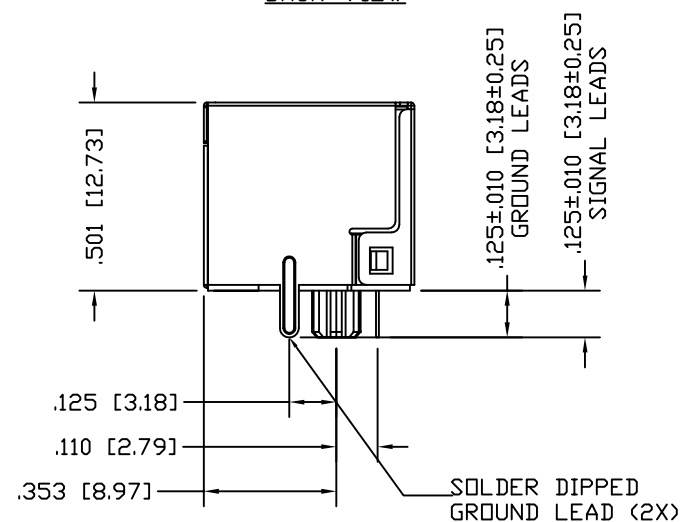
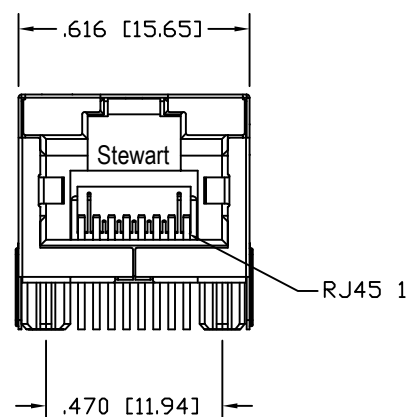


DATE	REV	ECN	APP'D. BY
2-10-16	A7	10534	TRM
8-12-16	A8	10737	TRM

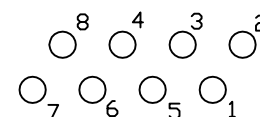


BACK VIEW



P.C.B. RECOMMENDED HOLE LAYOUT  
SEEN FROM COMPONENT SIDE

ALL CENTERLINE DIMENSIONS ARE BASIC.



SIGNAL PIN NUMBER DETAIL

NOTES:

- CONNECTOR MATERIALS:  
HOUSING: THERMOPLASTIC UL94 V-0  
CONTACTS/SHIELD: COPPER ALLOY  
SHIELD PLATING: NICKEL OR TIN  
CONTACT PLATING: SELECTIVE GOLD IN CONTACT AREA  
SEE CHART FOR PART NUMBER
- DESIGNED FOR CATEGORY 6A APPLICATIONS.
- DIMENSIONS AND TOLERANCES COMPLY WITH FCC/CFR 47, PART 68.
- THE ASSEMBLY SHALL WITHSTAND 1000 VDC BETWEEN CONTACTS FOR 60 SECONDS, MIN.
- HIGH TEMPERATURE PLASTIC; WAVE SOLDER COMPATIBLE TO 260°C
- FOR PRODUCT SPECIFICATION SEE PR033-01
- LOGO, PART NUMBER AND DATE CODE LOCATED APROX. IN THIS AREA.
- FOR PROPER JACK FUNCTION AND PERFORMANCE, TIA-1096 COMPLIANT PLUGS MUST BE USED.

50 MICRO-INCHES [1.27um]	SS-60300-004
CONTACT PLATING IN MATING AREA	PART NUMBER

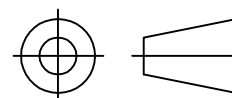
POSITIONS	1 TO 3	3 TO 5	3 TO 7	2 TO 6	4 TO 6	6 TO 8
CAPACITANCE +/- 80 FEMTOFARADS	570	1303	333	325	1330	585

CAPACITANCE CHARACTERISTICS OF ASSEMBLED CONNECTOR

PATENTED



THIRD ANGLE PROJECTION



1118 Susquehanna Trail South  
Glen Rock, PA 17327-9199  
(717) 235-7512

<http://www.stewartconnector.com>

DO NOT SCALE DRAWING  
DRAWING IS SUBJECT TO  
CHANGE WITHOUT NOTICE

TITLE: CATEGORY 6A, HORIZONTAL  
SHIELDED JACK

DIMENSIONS: INCHES [METRIC]  
UNLESS OTHERWISE SPECIFIED  
TOLERANCES ARE ±.005 [0.13]  
ANGLES ARE ± 1°

THIS DRAWING AND THE SUBJECT MATTER SHOWN THEREON  
ARE CONFIDENTIAL AND THE PROPRIETARY PROPERTY OF  
STEWART CONNECTOR AND SHALL NOT BE REPRODUCED,  
COPIED, OR USED IN ANY MANNER WITHOUT PRIOR WRITTEN  
CONSENT OF STEWART CONNECTOR. ONE OR MORE U.S. PATENTS  
MAY APPLY TO THIS PRODUCT. FOR DETAILS, PLEASE  
VISIT: [HTTP://BELFUSE.COM/STEWART/STEWART\\_PATENTS/](http://BELFUSE.COM/STEWART/STEWART_PATENTS/)

DRN BY: DHG DATE 04-20-06

APPD BY: TRM DATE 04-20-06

DWG NO. CT600038 REV. A8

SHEET NO. 1 OF 1