

Style
M12 Socket, shielded
8 pin
A-coding

Ratings
Voltage: 30 V
Current: 2 A

Operating Temperature Range
-40~105 °C

Materials

- ① Insulator: Polyamide 66 (PA66), UL94 HB, black
- ② Pin: C5191 phosphor bronze, gold plated
- ③ Shell: C3604 brass, nickel plated
- ④ Nut: C3604 brass, nickel plated
- ⑤ O-ring: Nitrile rubber, green/black

Electrical Requirements

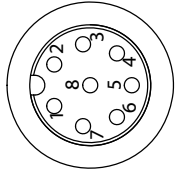
Dielectric strength: 1 min @ 500 Vac
Insulation resistance: 100 MΩ @ 500 Vdc
Contact resistance: 10 mΩ or less

Mechanical Requirements

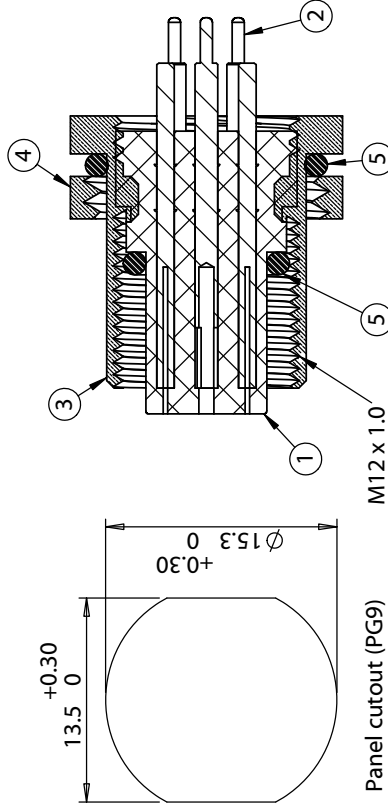
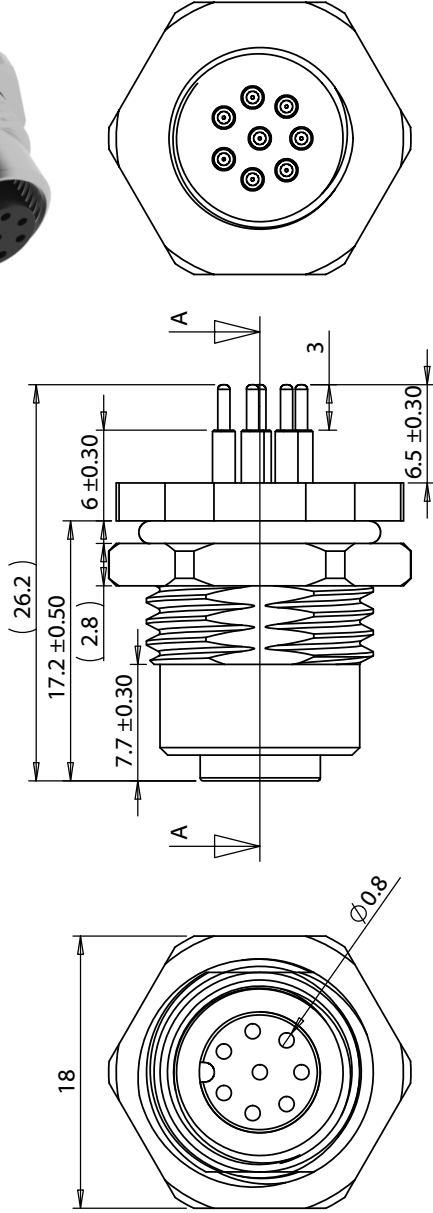
Life cycle: 500 mating cycles minimum

Environmental Requirements

Salt spray test: 35 °C, relative humidity 90-95%, 5% NaCl mist for 48 hrs. Wash parts after test. Maintain mechanical requirements and a contact resistance of less than 10 mΩ.
Waterproof: IP67



Front View
Not to Scale



SECTION A-A

Revision:	Date:	Description:	Prepared:	Notes:
A	10/6/2020	Initial release		RoHS compliant
			Verified:	Function test: no open, no short circuit, no intermittent
			Dimensions are in millimeters.	Description:
			Tolerances:	Connector, 8 pin M12 A-code socket, 12xL26.2mm, gold plated, panel mount, PCB, IP67
			X: ± 0.3 mm	
			XX: ± 0.1 mm	
			XXX: ± 0.05 mm	

TENSILITY

tel 1.541.323.3228 800 877.670.7118
fax 1.541.323.4202 web tensility.com

Size: Part number:
A 54-00238

Scale: 2:1



Sheet 1 of 1