

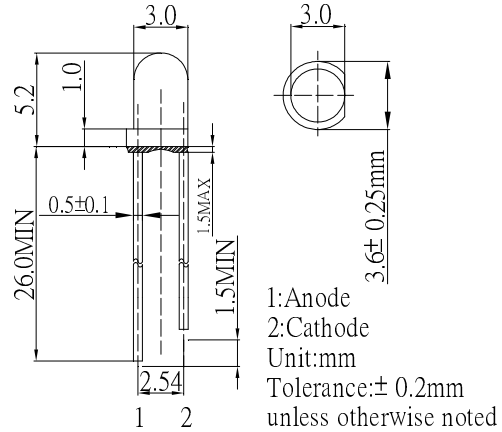
**■ Features**

- Normal Bright LEDs
- 3mm Standard Directivity
- UV Resistant Epoxy
- Color Diffused Type
- Ammo Pack

**■ Applications**

- Toys
- Games
- Audio
- Christmas Light
- Indications

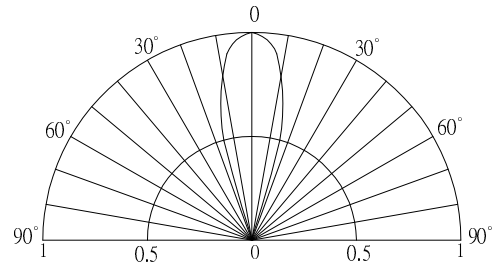
**■ Outline Dimension**



**■ Absolute Maximum Rating (Ta=25°C)**

Item	Symbol	Value		Unit
		NG/NY/NR		
DC Forward Current	I <sub>F</sub>	30		mA
Pulse Forward Current#	I <sub>FP</sub>	100		mA
Reverse Voltage	V <sub>R</sub>	5		V
Power Dissipation	P <sub>D</sub>	72		mW
Operating Temperature	Topr	-30 ~ +85		°C
Storage Temperature	Tstg	-40 ~ +100		°C
Lead Soldering Temperature	Tsol	260°C/5sec		-

**■ Directivity**

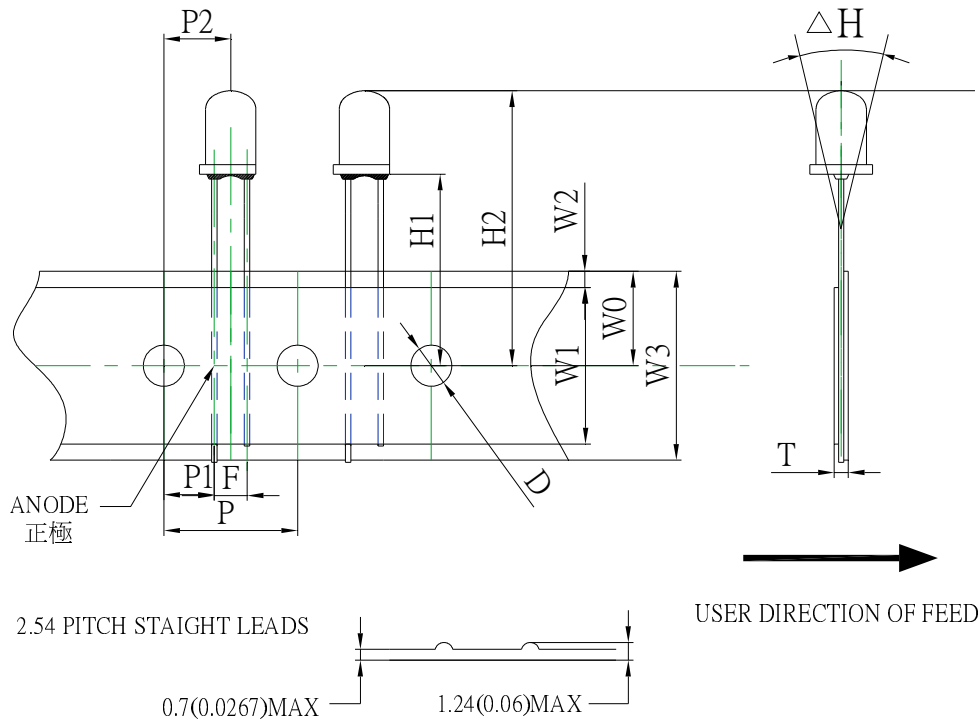


#Pulse width Max.10ms Duty ratio max 1/10

**■ Electrical -Optical Characteristics (Ta=25°C)**

Part Number	Color			V <sub>F</sub> (V)			I <sub>R</sub> (μA)	I <sub>v</sub> (mcd)			λD (nm)			θ1/2 (deg)
				Min.	Typ.	Max.	Max.	Min.	Typ.	Max.	Min.	Typ.	Max.	Typ.
				I <sub>F</sub> =20mA			V <sub>R</sub> =5V	I <sub>F</sub> =20mA						
OSNG3134A-T	Yellow Green	NG	<span style="color: green;">■</span>	1.8	2.0	2.4	10	10	15	20	565	570	575	30
OSNY3134A-T	Yellow	NY	<span style="color: yellow;">■</span>	1.8	2.0	2.4	10	10	20	30	585	590	595	30
OSNR3134A-T	Red	NR	<span style="color: red;">■</span>	1.8	2.0	2.4	10	10	15	20	630	640	650	30

\*1 Tolerance of measurements of dominant wavelength is ±1nm  
 \*2 Tolerance of measurements of luminous intensity is ±15%  
 \*3 Tolerance of measurements of forward voltage is ±0.1V



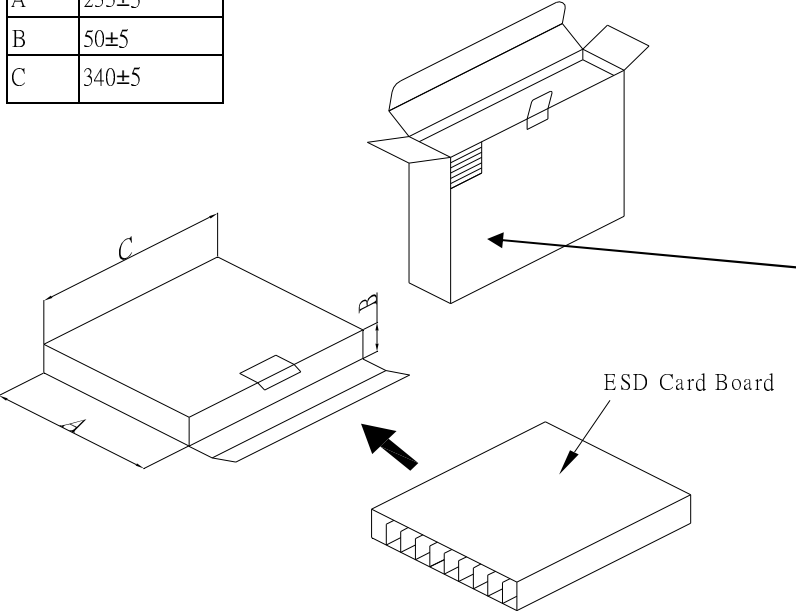
**Taping Outline Dimensions**

ITEM	SYMBOL	SPECIFICATION			
		Millimeter		Inch	
		Size	Tolerance	Size	Tolerance
Tape Feed Hole Diameter	D	4.0	±0.2	0.157	±0.008
Component Lead Pitch	F	2.54	±0.3	0.197	±0.012
Front To Rear Deflection	$\Delta H$	-	MAX2.0	-	MAX0.079
Feed Hole To Bottom Of Component	H1	21.5	±0.5	0.846	±0.020
Feed Hole To Overall Component Height	H2	26.8	±0.5	1.055	±0.020
Feed Hole Pitch	P	12.7	±0.3	0.5	±0.012
Lead Location	P1	5.0	±0.7	0.197	±0.027
Center Component Location	P2	6.35	±1.3	0.25	±0.051
Overall Taped Package Thickness	T	-	MAX1.42	-	MAX0.056
Feed Hole Location	W0	9.0	±0.5	0.354	±0.020
Adhesive Tape Width	W1	13.0	±0.5	0.512	±0.020
Adhesive Tape Position	W2	-	MAX4.0	-	MAX0.157
Taped Width	W3	18.0	±0.5	0.709	±0.020

**Packing**

Unit: mm

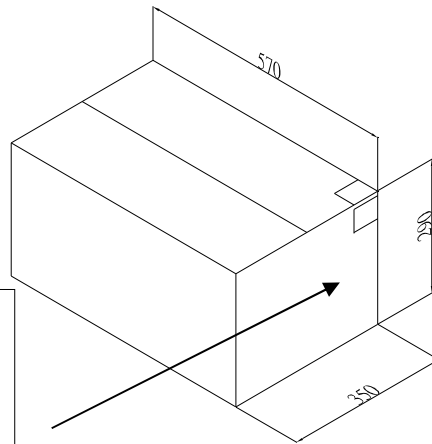
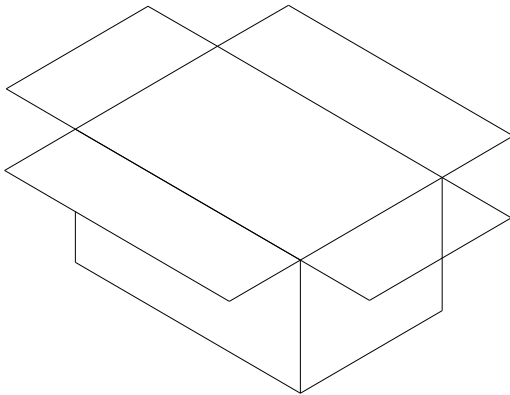
A	235±5
B	50±5
C	340±5



- 1.Package: Box(3000pcs/box)
- 2.Indication: Below indicate the label Details which affix to box.

LED LAMPS	
PART NO:	_____
LOT NO:	_____
IV:	_____
VF:	_____
COLOR:	_____
QTY:	_____
QC:	_____

3.Packaging methods: 10 Boxes/carton



LED LAMPS	
PART NO:	_____
LOT NO:	_____
IV:	_____
VF:	_____
COLOR:	_____
QTY:	_____
QC:	_____

- 3.1 There are 10 Boxes in carton, totally 30,000pcs/carton.
- 3.2 The dimension of outer carton is 480\*355\*275mm.