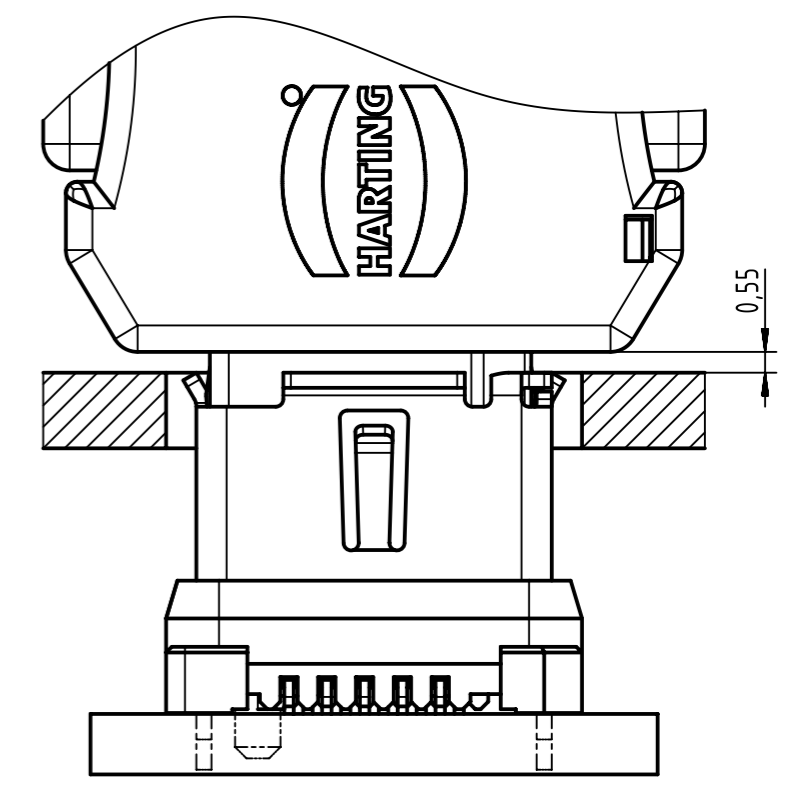
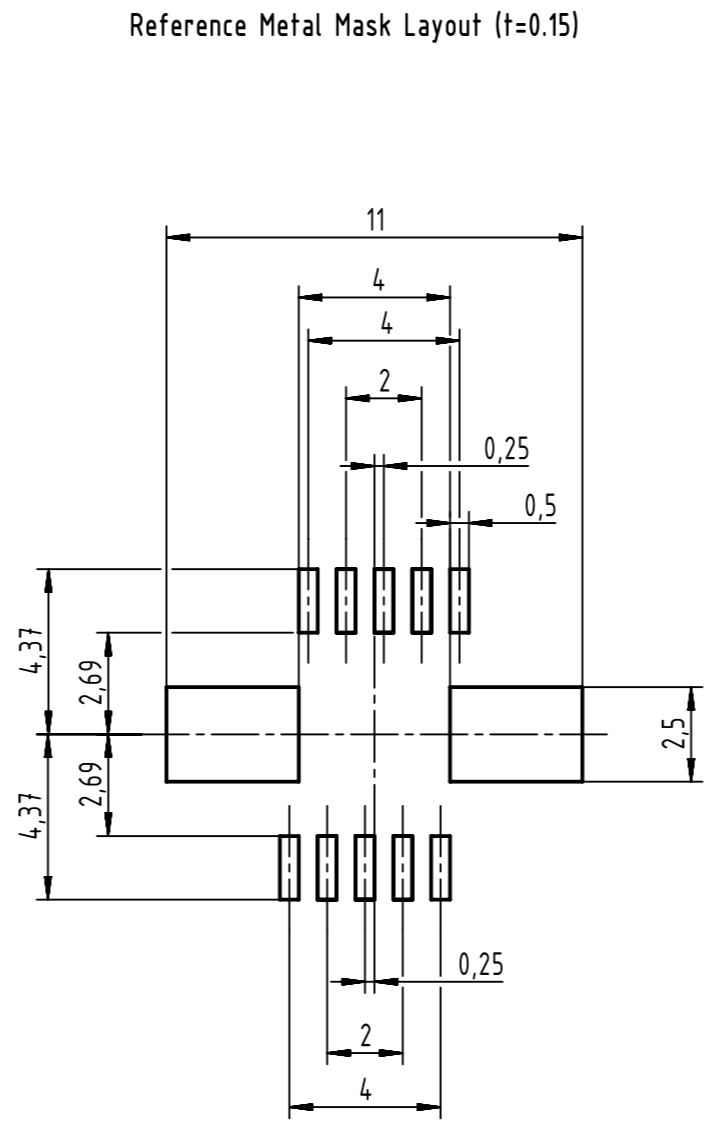
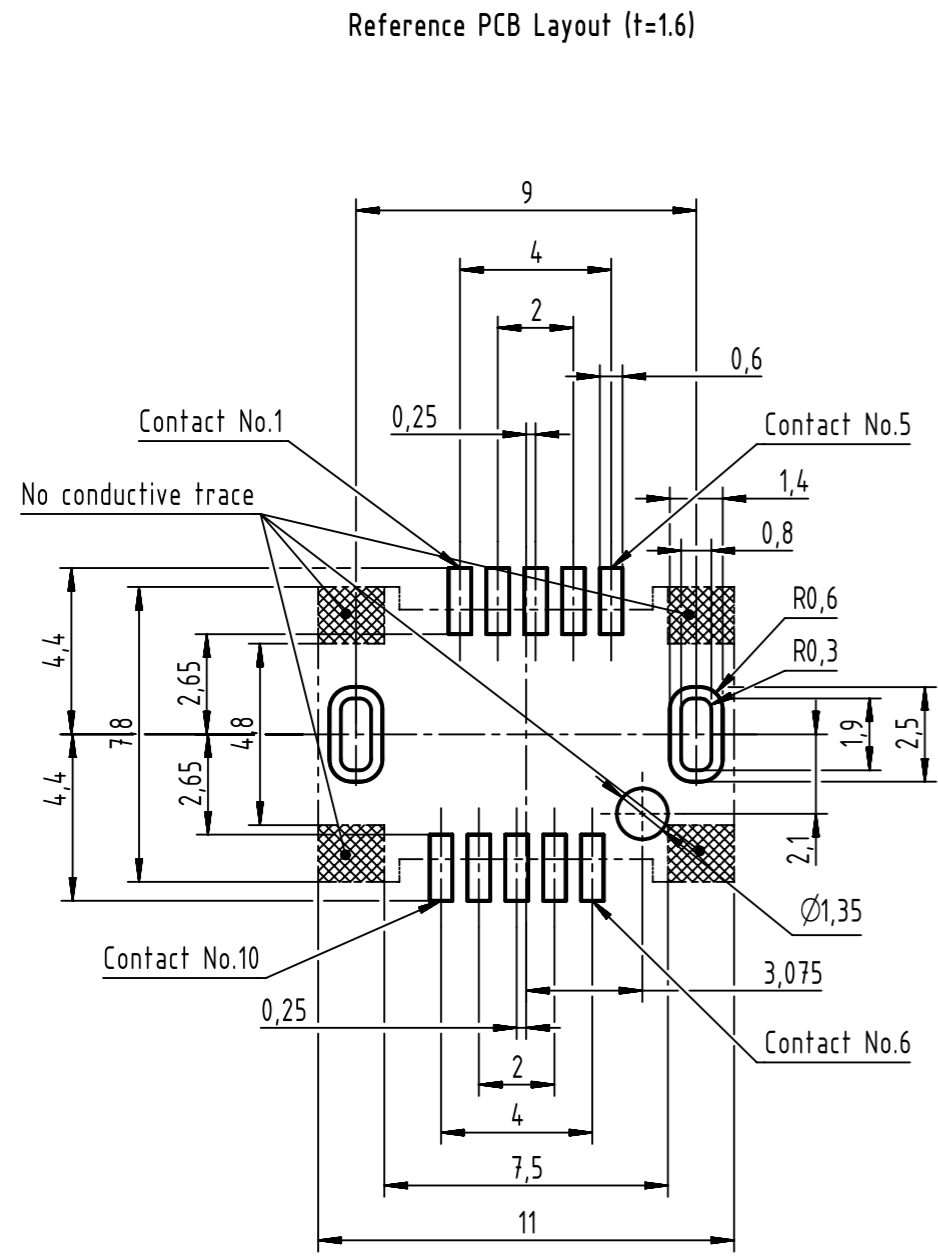


Contact No.	Signal	
	10/100 Mbit/s	1/10 Gbit/s
1	TX+	BI_DA+
2	TX-	BI_DA-
3	N.C.	GND
4	N.C.	BI_DC+
5	N.C.	BI_DC-
6	RX+	BI_DB+
7	RX-	BI_DB-
8	N.C.	GND
9	N.C.	BI_DD+
10	N.C.	BI_DD-

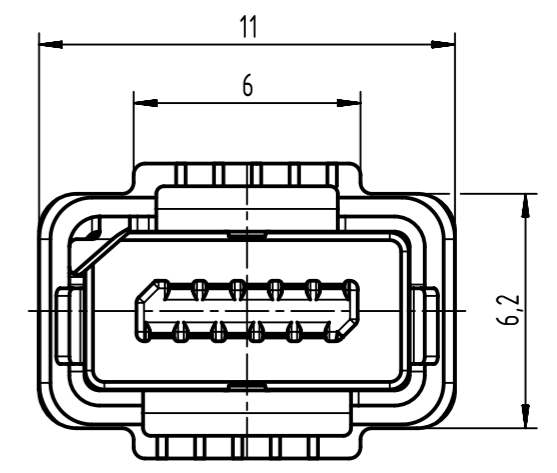
09452812562: Tape & reel packaging (450 pcs.)  
 09452812562333: Single packaging (1 pcs.)


This product is mounted by reflow soldering.  
 Contact material: copper alloy  
 Contact area: 0.2µm min.  
 Lead area: 0.03µm min.  
 Under plating: 2µm min.

	All rights reserved Department EL PD	All Dimensions in mm Original Size DIN A3		Scale 5:1	Free size tol.	Ref. Sub.
		Created by POPESCU	Inspected by PRIESTER	Standardisation HOFFMANN	Date 2018-08-27	State Final Release
HARTING Electronics GmbH D-32339 Espelkamp		Title ix Industrial 10A-1 jack V (T&R450)				Doc-Key / ECM-Nr. 100758847/UGD/000/B 500000138273
		Type TB	Number 09452812562		Rev. B	Page 1/3

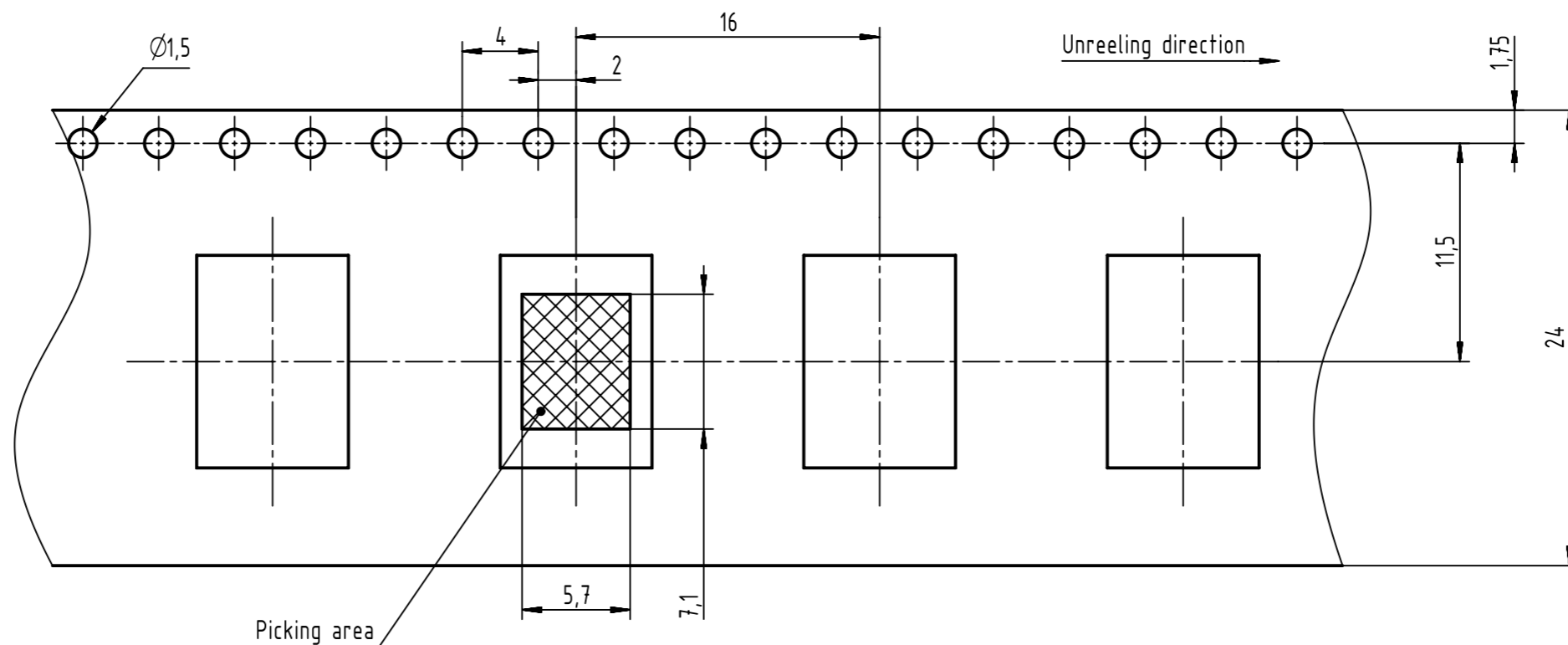


REFERENCE DIMENSIONS OF PANEL CUT OUT

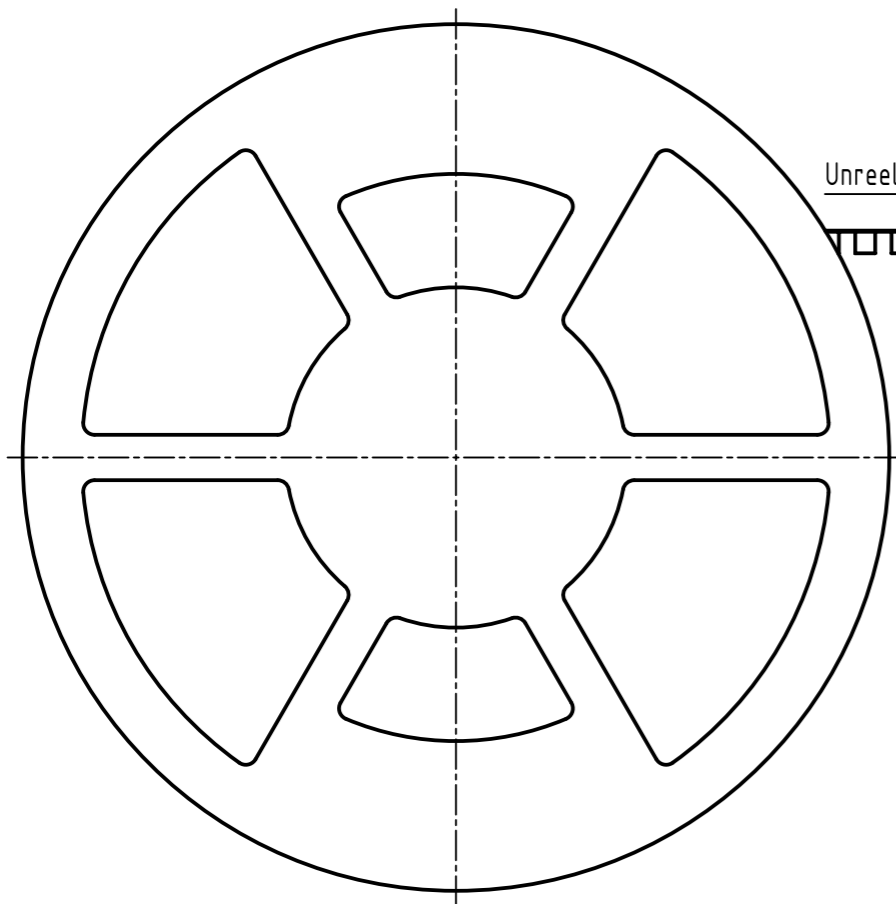


	All rights reserved		Created by POPESCU		Inspected by PRIESTER		Standardisation HOFFMANN		Date 2018-08-27		State Final Release		
	Department EL PD		Title ix Industrial 10A-1 jack V (T&R450)		Type TB		Number 09452812562		Doc-Key / ECM-Nr. 100758847/UGD/000/B 500000138273		Rev. B		
HARTING Electronics GmbH D-32339 Espelkamp												Page 2/3	

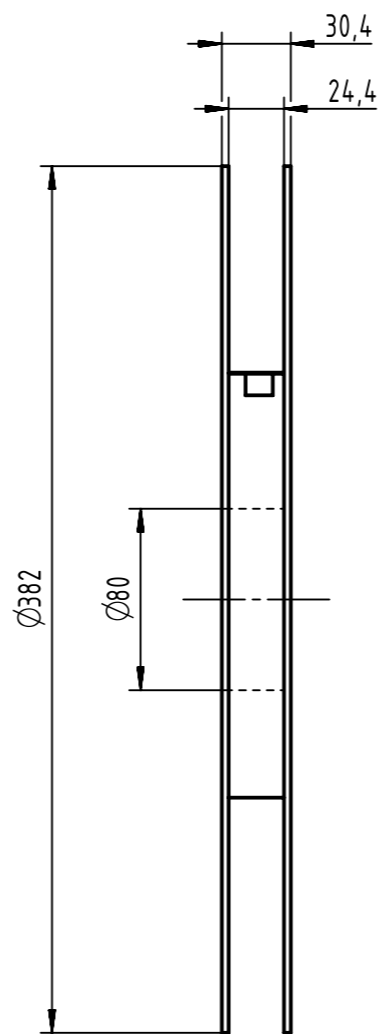
Drawing for packing




Picking area



Unreeing direction



	All Dimensions in mm Original Size DIN A3		Scale 5:1	Free size tol.		Ref.
	All rights reserved Department EL PD		Created by POPESCU	Inspected by PRIESTER	Standardisation HOFFMANN	Date 2018-08-27
HARTING Electronics GmbH D-32339 Espelkamp		Title ix Industrial 10A-1 jack V (T&R450)			Doc-Key / ECM-Nr. 100758847/UGD/000/B 500000138273	
		Type TB	Number 09452812562		Rev. B	Page 3/3