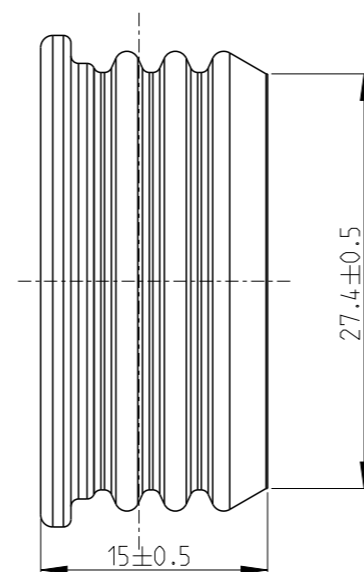
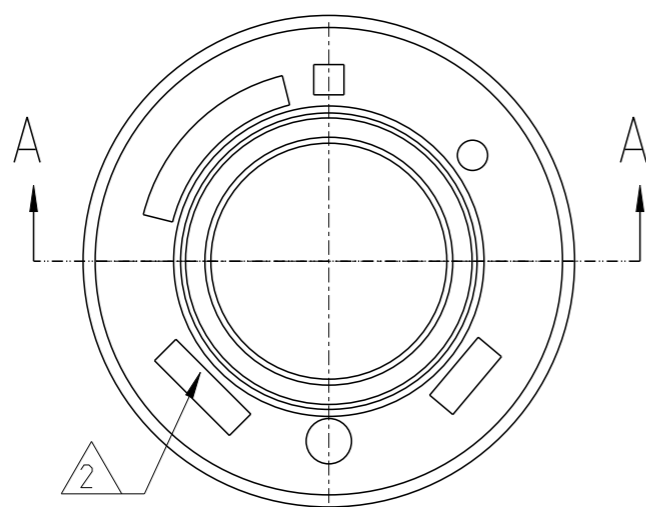


THIS DRAWING IS UNPUBLISHED. RELEASED FOR PUBLICATION 20  
 © COPYRIGHT 20 BY - ALL RIGHTS RESERVED.

REVISIONS

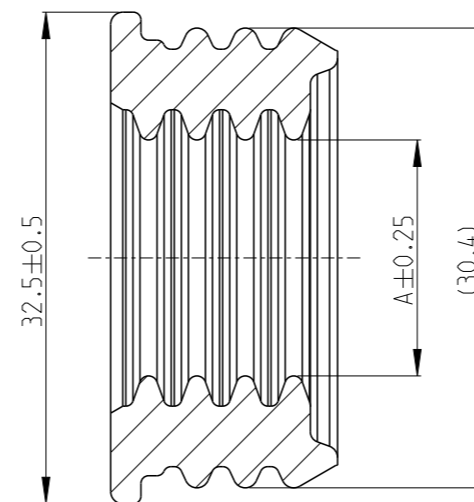
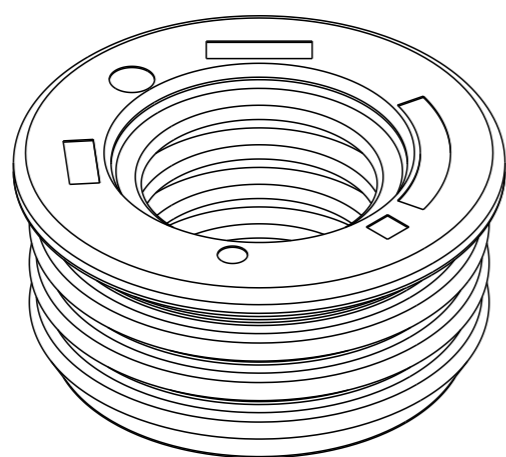
P	LTR	DESCRIPTION	DATE	DWN	APVD
	A	INITIAL RELEASE	04 JUL 19	F.M	I.Y
	A1	ADD NEW PART	31MAR2022	C.C	Z.Z



1 SUPPLIED FORM: LOOSE PIECE PACKED INTO AIR TIGHT POLYETHYLENE PACKET

△ SUPPLIER-MARK

3 ONLY APPROVED CABLE SUPPLIERS AND CABLE SIZES ON THE 114&108 DOCUMENTS  
 NO LISTED CABLE SUPPLIERS AND CABLE SIZES MUST BE VALIDATED



SECTION A-A

A1	2355151-3	SINGLE WIRE SEAL	20.9+0/-0.8	95	18.5	SILICON	BLUE
	2355151-2	SINGLE WIRE SEAL	15.8+0/-0.6	50	13.6	SILICON	RED
	2355151-1	SINGLE WIRE SEAL	18.2+0/-0.8	70	16.0	SILICON	GREEN
	P/N	DESCRIPTION	FOR WIRE DIAMETER	FOR WIRE SIZE(mm <sup>2</sup> )	A	MATERIAL	SURFACE/ COLOUR

THIS DRAWING IS A CONTROLLED DOCUMENT.		DWN F.MA 27 JUN 2019	TE Connectivity	
DIMENSIONS: mm		CHK E. JIANG 04 JUL 2019		
TOLERANCES UNLESS OTHERWISE SPECIFIED:		APVD I.YIN 04 JUL 2019	NAME SINGLE WIRE SEAL	
0 PLC ± 1 PLC ± 2 PLC ± 3 PLC ± 4 PLC ± ANGLES ± FINISH -		PRODUCT SPEC 108-160140	RESTRICTED TO	
MATERIAL		APPLICATION SPEC 114-160083	SIZE A3	CAGE CODE 00779
		WEIGHT	DRAWING NO C-2355151	
		CUSTOMER DRAWING	SCALE 2:1	SHEET 1 OF 1
				REV A1