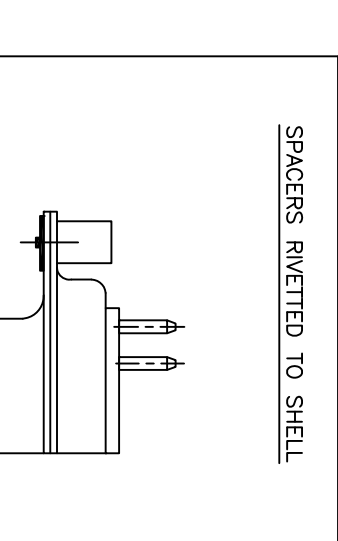
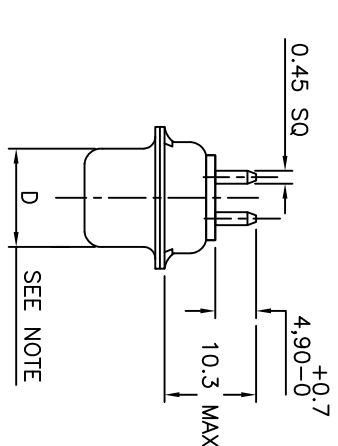
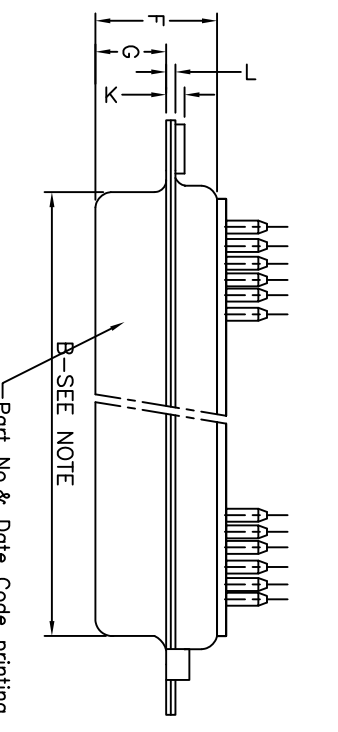


NOTE: INSIDE DIMENSION OF MALE AND OUTSIDE DIMENSION OF THE FEMALE CONNECTOR

TECHNICAL SPECIFICATIONS

SHELL SIZE	DIMENSIONS											
	A ₀ ^{+0.76}	B ₀ ^{+0.25}	C	D ₀ ^{+0.25}	E ₀ ^{+0.76}	F _{max}	G ₀ ^{+0.15}	H ₀ ^{+0.51}	J ₀ ^{+0.51}	K	L ₀ ^{+0.22}	
50	P	66.65	52.68	61.11	11.08	14.99	11.09	5.85	55.07	13.31	1.50	1.0
	S	66.65	52.30	61.11	10.62	14.99	11.21	6.05	55.07	13.31	1.10	0.8
37	P	68.94	55.30	63.50	8.23	12.17	11.09	5.85	57.45	10.46	1.50	1.0
	S	68.94	54.71	63.50	7.77	12.17	11.21	6.05	57.45	10.46	1.10	0.8
25	P	52.65	38.84	47.04	8.23	12.17	11.07	5.85	41.02	10.46	1.10	0.8
	S	52.65	38.25	47.04	7.77	12.17	11.21	6.05	41.02	10.46	1.10	0.8
15	P	38.76	25.12	33.32	8.23	12.17	10.99	5.85	27.25	10.46	1.10	0.8
	S	38.76	24.54	33.32	7.77	12.17	11.21	6.05	27.25	10.46	1.10	0.8
09	P	30.43	16.79	24.99	8.23	12.17	10.99	5.85	19.02	10.46	1.10	0.8
	S	30.43	16.21	24.99	7.77	12.17	11.21	6.05	19.02	10.46	1.10	0.8



ORD CODE - 8630-01-062

SPACERS RIVETTED TO SHELL

SHIELDS : TIN/ZINC PLATED STEEL

CONTACTS DIA ON ACTIVE AREA : Ø1 MM.

CONTACTS MATERIAL : COPPER ALLOY

CONTACT PLATING : GXT / GOLD OVER NICKEL (ACTIVE ZONE)

FOR LEAD FREE PLATING : TIN OVER NICKEL (TERMINATION ZONE)

INSULATOR MATERIAL : 2µ MIN. TIN TOP OVER

INSULATOR MATERIAL : SELF EXTINGUISHING THERMOPLASTIC-1.27µ MIN.NICKEL UNDER PLATE(ON TERMINATION ZONE) TO UL CLASS 94 V0

THE HOUSING WILL WITHSTAND EXPOSURE TO 260-265°C IF WE USE PROTECTIVE ADHESIVE (Type Kapton or Teflon) OR PROTECTIVE METALLIC DEVICE

OPERATING TEMPERATURE : -55°C +125°C

OPERATING CURRENT : 5 A PER CONTACT

CONTACT RESISTANCE : <10m Ω

INSULATION RESISTANCE : >5000 M Ω

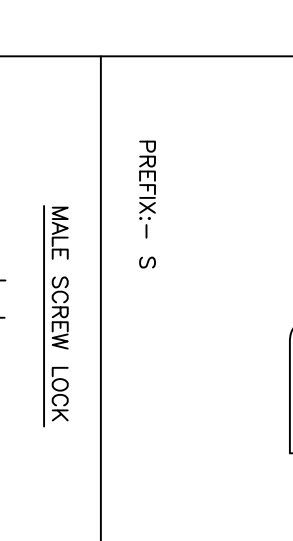
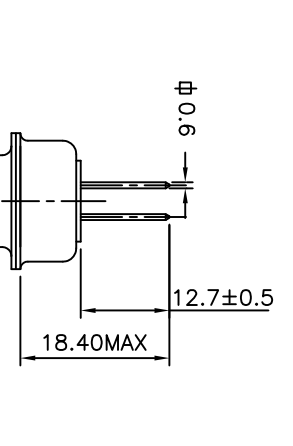
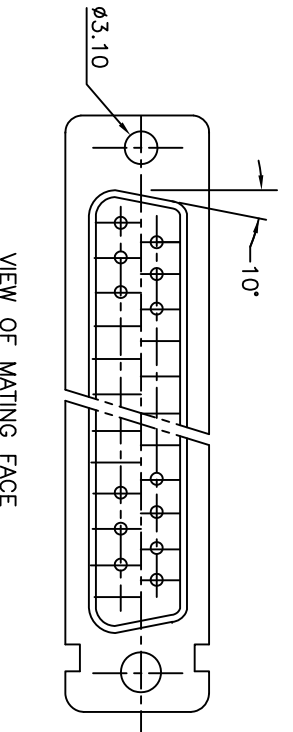
MAXIMUM VOLTAGE : 1000 V.r.m.s

MECHANICAL ENDURANCE : 500 MATTINGS FOR CODE 64

DAMP HEAT : 200 MATTINGS FOR CODE 65

56 DAYS FOR >0.75µ GOLD PLATING

21 DAYS FOR <0.40µ GOLD PLATING



ORD CODE:-

8630-05 (E.A.B.C.) FEMALE

8630-03 D SHELL FEMALE

8630-15 D SHELL MALE

8630-04 E.A.B.C SHELL WITH METAL HOOD

FOR 440 UNC 2A THREADED ADD UNC TO THE CORRESPONDING ORD. CODE.

ORD CODE:-

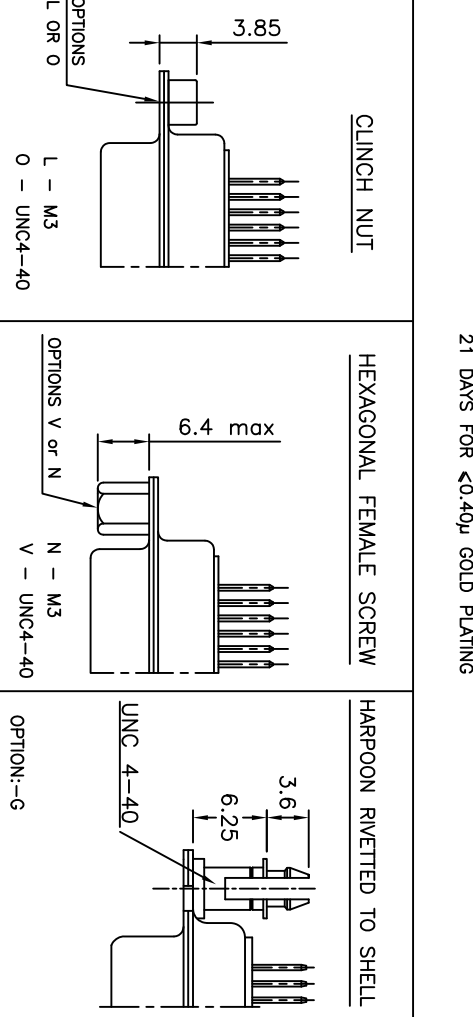
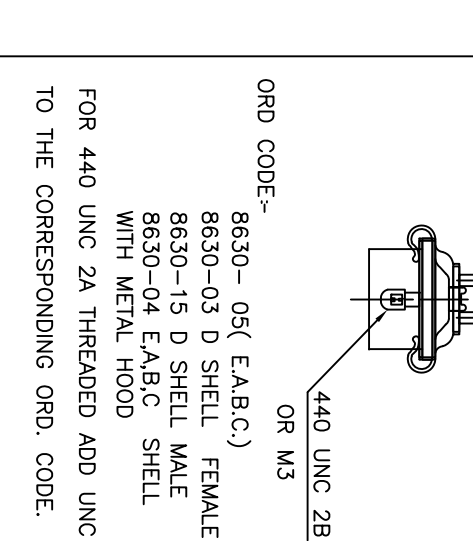
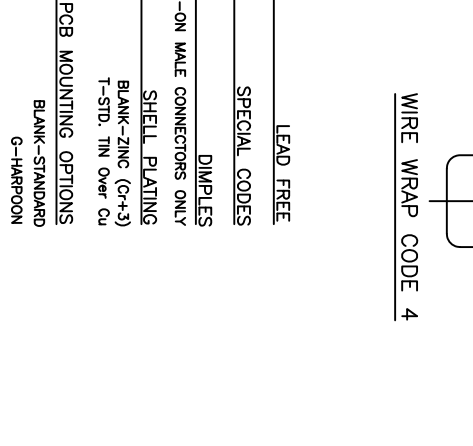
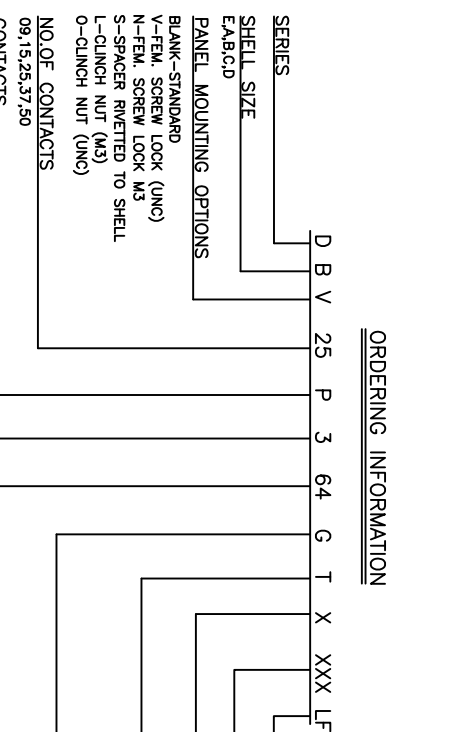
OR M3

440 UNC 2B

CLINCH NUT

HEXAGONAL FEMALE SCREW

HARPOON RIVETTED TO SHELL



SERIES

SHELL SIZE E.A.B.C.D

PANEL MOUNTING OPTIONS

BLANK-STANDARD

V-FEM. SCREW LOCK (UNC)

N-FEM. SCREW LOCK M3

S-SPACER RIVETTED TO SHELL

L-CLINCH NUT (M3)

O-CLINCH NUT (UNC)

NO.OF CONTACTS 09,15,25,37,50

CONTACTS

P - PIN

S - SOCKET

TERMINATION TYPE

3-STRAIGHT SPILL

4-WIRE WRAP

ORDERING INFORMATION

D B V 25 P 3 64 G T X XXX LF

LEAD FREE

SPECIAL CODES

DIMPLES

X-ON MALE CONNECTORS ONLY

SHELL PLATING

BLANK-ZINC (Cr+3)

T-STD. TIN OVER CU

PCB MOUNTING OPTIONS

BLANK-STANDARD

G-HARPOON

CONTACT PLATING

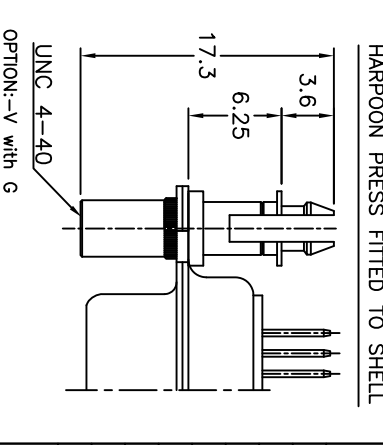
64 - 200 MATTING CYCLES

65 - 500 MATTING CYCLES

"This LF product meets European Union Directives and other country regulations as described in GS-22-008"

The housing will withstand exposure to 260°C peak temperature for 3.5 seconds in a wave solder application with a 1.6mm minimum thick circuit board.

Packaging as per GS-14-920



mat'l. code SEE NOTE 4

tr	ecn no	dr	date	surface	tolerance	projection	product family	title
D	106-0074	GVJ	2006/06/08	ISO 1302	ISO 406 ISO 1101	MM	D-SUB S/S W/W CONNECTOR (WITH ASSEMBLY OPTIONS)	
E	109-0179	AMR	2009/09/04	tolerances unless otherwise specified				
F	109-0195	AMR	2009/09/04	angles	linear			
G	111-0003	AMR	2011/01/06	linear				
H	111-0047	AMR	2011/03/05	engr	Mini K Vandanath	scale		
				chr	George V Joseph			
				appd	Abhilash M R			
					Sudhir Varma			

sheet index revision sheet 1 H

product family

type Product Customer Drawing

dwg no sheet 1 of 1 size A3

C-DSUB-0065