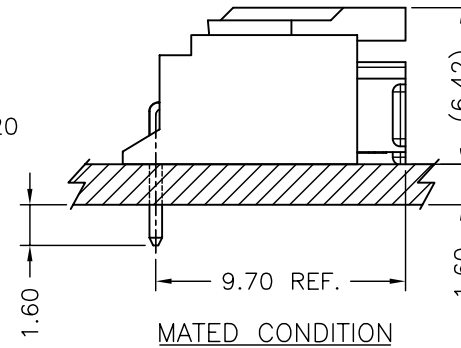
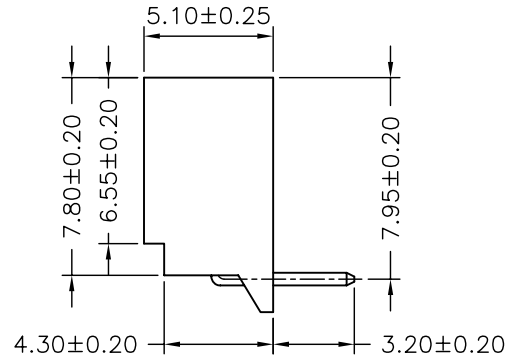
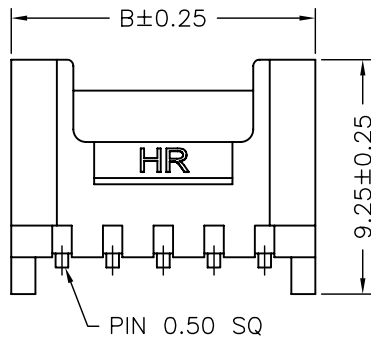


P/N LEGEND

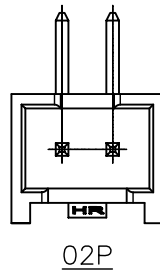
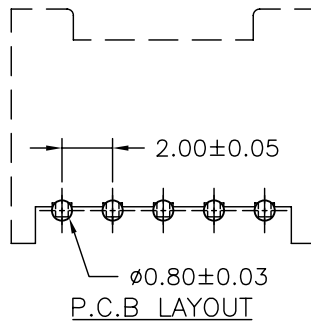
A2006	WR-XP	XXX
①	②	③
① Series No.	② Connector type: WR=Right angle	③ No. of circuits
④ Option code: Blank=Nylon 46,UL94V-0, Color:Natural(Beige) BK=Nylon 46,UL94V-0, Color:Black		

SPECIFICATIONS

Current Rating: 3A AC,DC  
 Voltage Rating: 250V AC,DC  
 Temperature Range: -25°C ~ +85°C  
 Contact Resistance: 30mΩ Max  
 Insulation Resistance: 1000MΩ Min  
 Withstanding Voltage: 1000V AC/minute  
 Pin Material: Brass/Gold-flash  
 Material: Nylon 46,UL94V-0



Circuit No.	Dimensions	
	A	B
02P	2.00	6.00
03P	4.00	8.00
04P	6.00	10.00
05P	8.00	12.00
06P	10.00	14.00
07P	12.00	16.00
08P	14.00	18.00
09P	16.00	20.00
10P	18.00	22.00
11P	20.00	24.00
12P	22.00	26.00
13P	24.00	28.00
14P	26.00	30.00
15P	28.00	32.00
16P	30.00	34.00



				UNIT	SCALE	SHEET	TITLE:
				mm	1 : 1	1 of 1	
DRAWN BY		APPROVED BY		2.00mm PITCH 90° WAFER			
董正一		董正一					
2005.04.08		2005.04.08					
GENERAL TOLERANCE				DRAW NO. : A2006WR-XPXXX			
X. X±0.25		ANGLE±		REV. A0			
X. XX±0.15							
A0	NEW RELEASE	2013.08.12	郭木恩				
REV.	DESCRIPTION	DATE	NAME				