



**ON Semiconductor®**

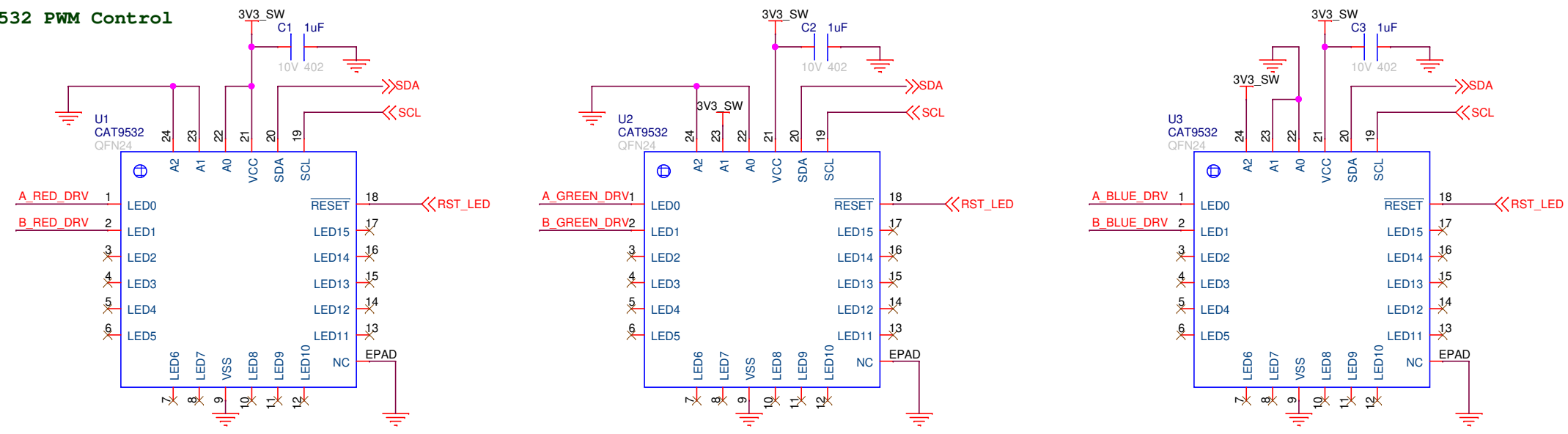
# **ONSEC-18-030**

## **Yaquina Bay LED Board**

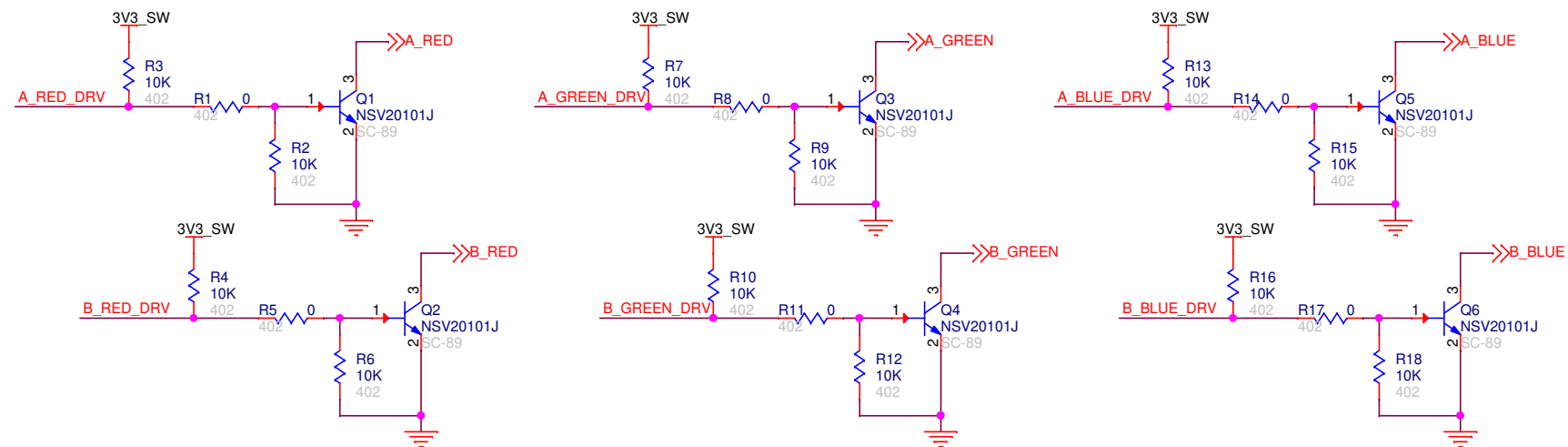
<b>ON Semiconductor</b>		
Title Yaquina Bay LED Board		
Size Custom	Document Number ONSEC-18-030	Rev REV1
Date:	Monday, February 04, 2019	Sheet 1 of 8

# PULSE - 2 Channel PWM RGB

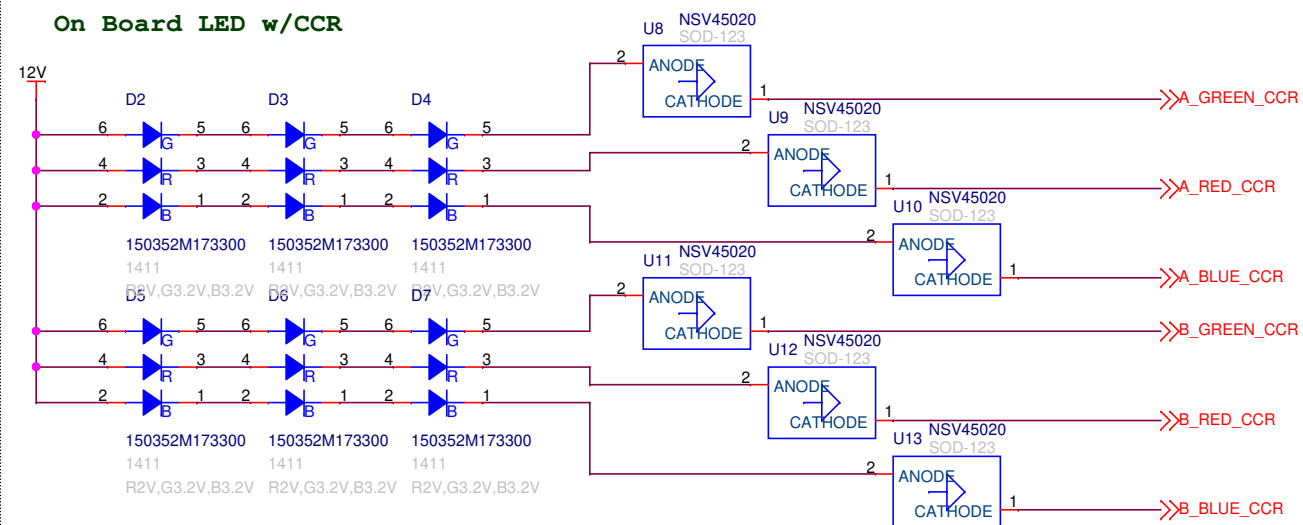
## CAT9532 PWM Control



## BJT Drives



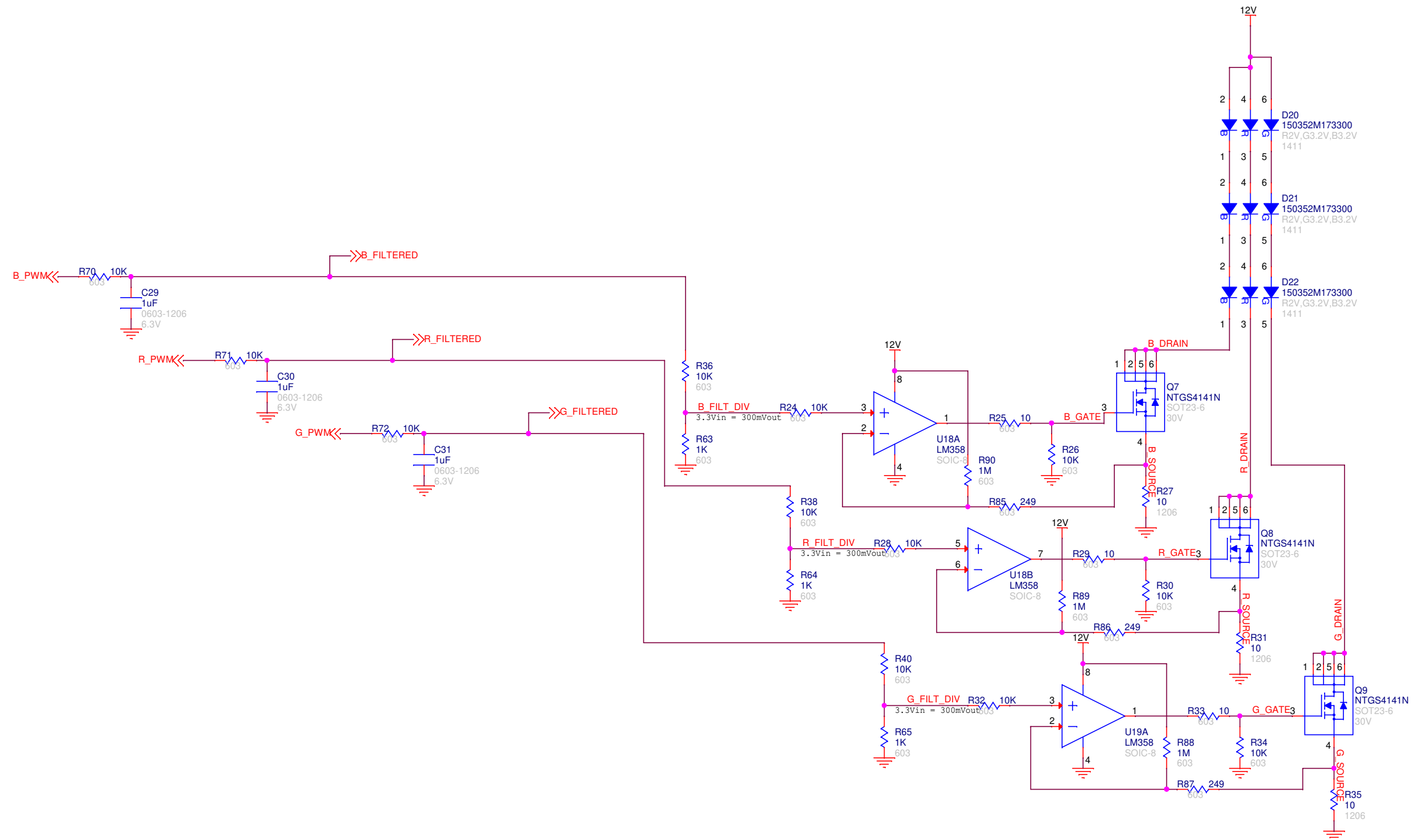
## On Board LED w/CCR



**ON Semiconductor**

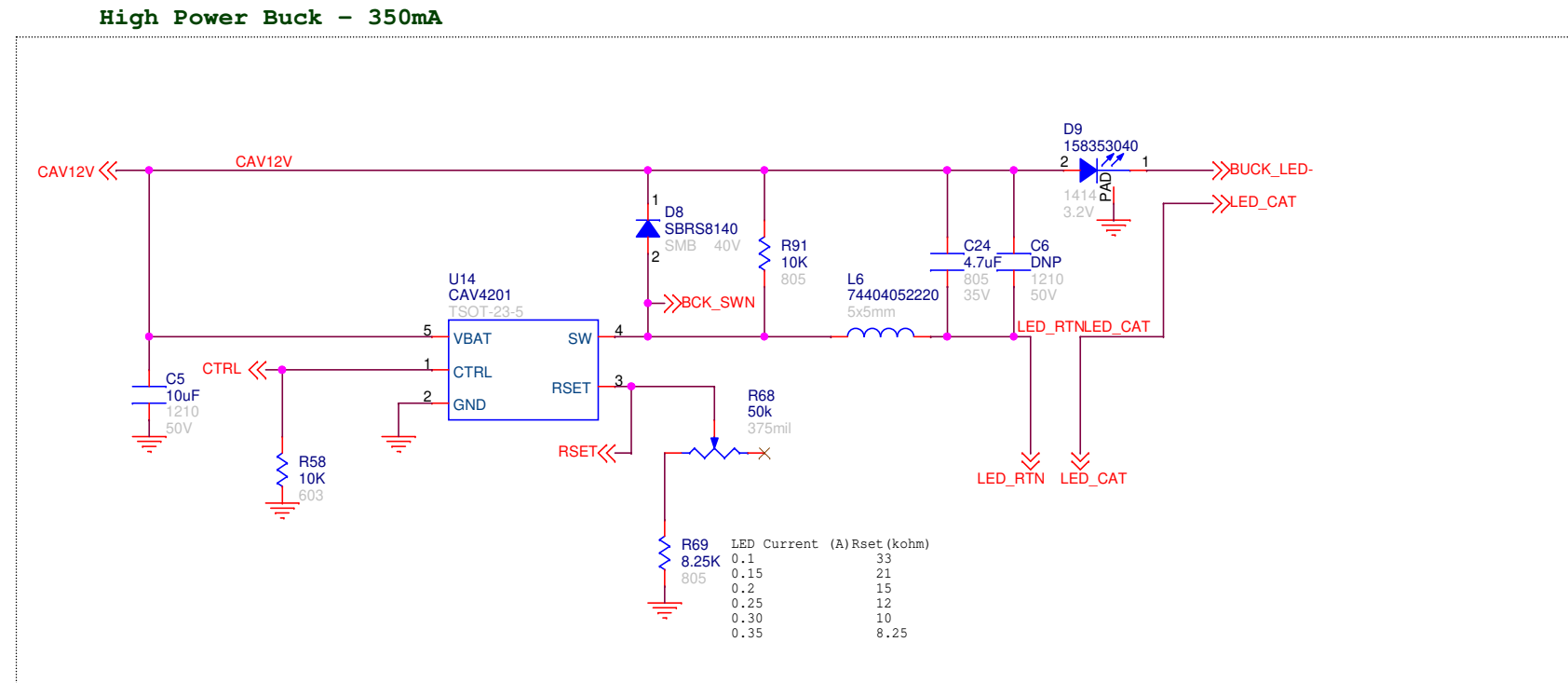
Title Yaquina Bay LED Board		
Size Custom	Document Number ONSEC-18-030	Rev REV1
Date: Monday, February 04, 2019	Sheet 2 of 8	

# LINEAR - 1 Channel DC RGB



<b>ON Semiconductor</b>		
Title Yaquina Bay LED Board		
Size Custom	Document Number ONSEC-18-030	Rev REV1
Date: Monday, February 04, 2019	Sheet 3 of 8	

# BUCK - High Current AECQ Buck Controller

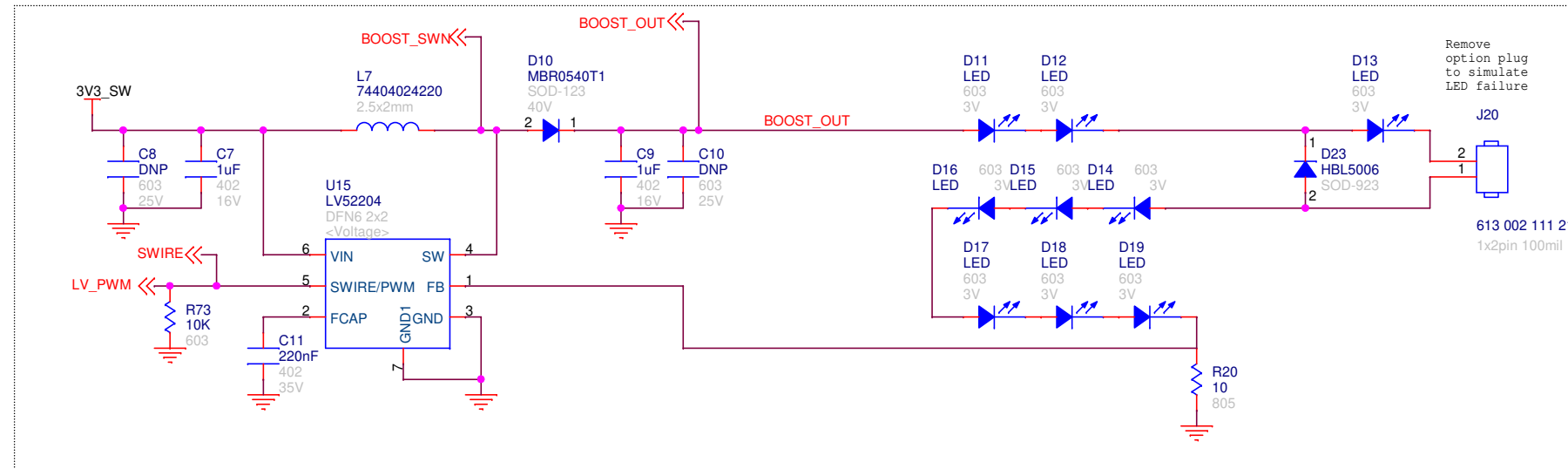


**ON Semiconductor**

Title Yaquina Bay LED Board		
Size Custom	Document Number ONSEC-18-030	Rev REV1
Date: Monday, February 04, 2019	Sheet 4	of 8

# BOOST - SMPS for LED Backlighting

SMPS Boost (Backlight) - 30mA max

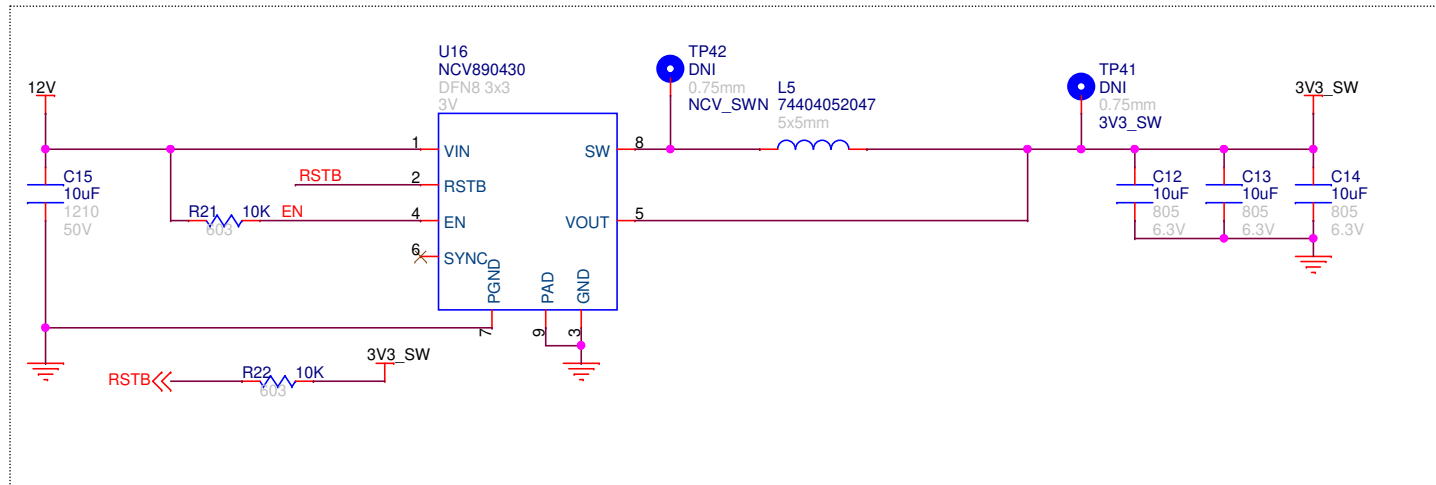


**ON Semiconductor**

Title Yaquina Bay LED Board		
Size Custom	Document Number ONSEC-18-030	Rev REV1
Date: Monday, February 04, 2019	Sheet 5 of 8	

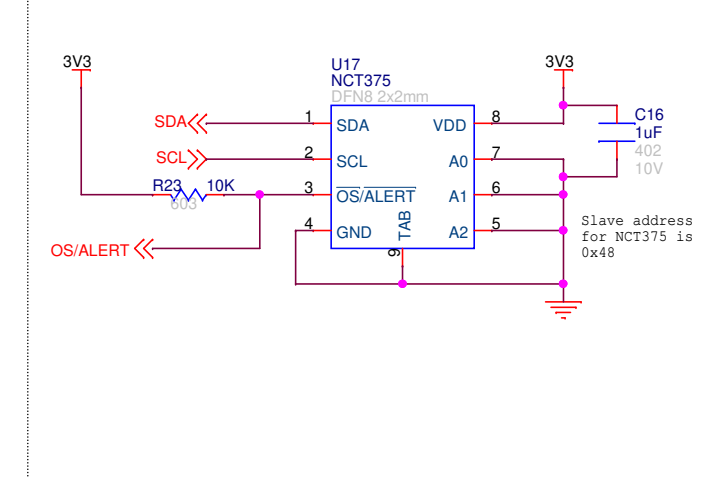
# Power and Telemetry

## 3.3V SMPS

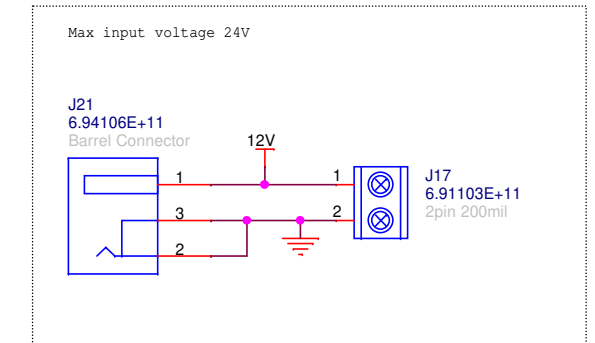


## BUCK - Temp Monitor

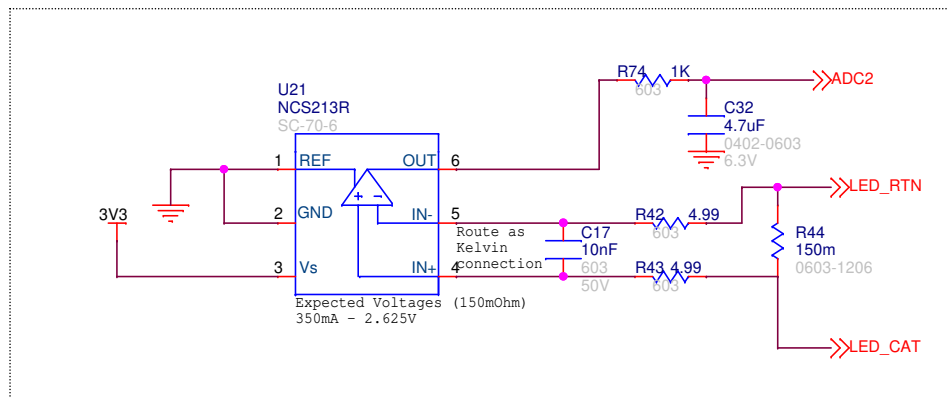
Place near high power LED



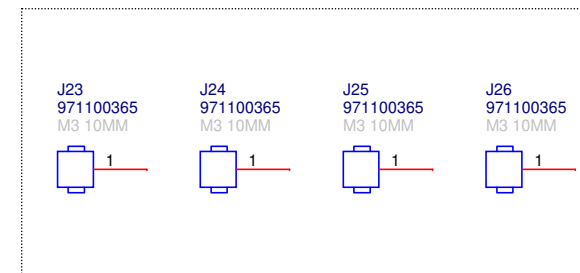
## Input Power



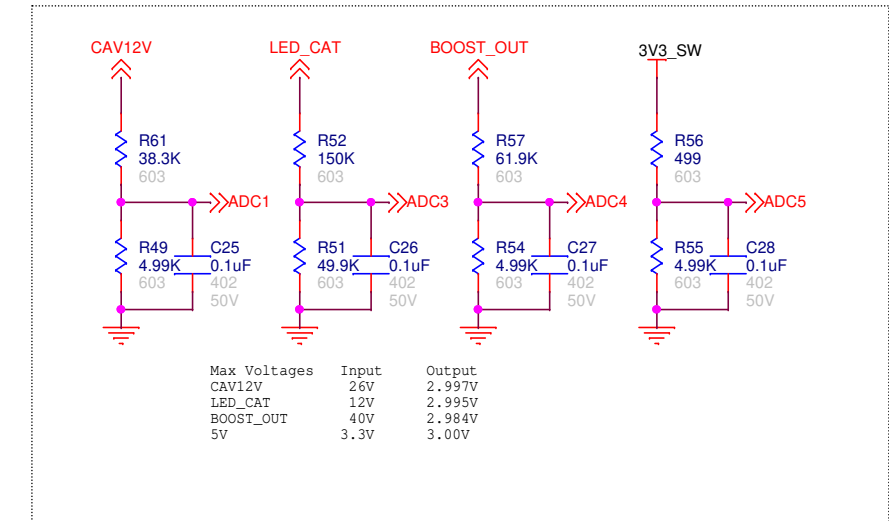
## BUCK - LED Current Monitor - CAV4201



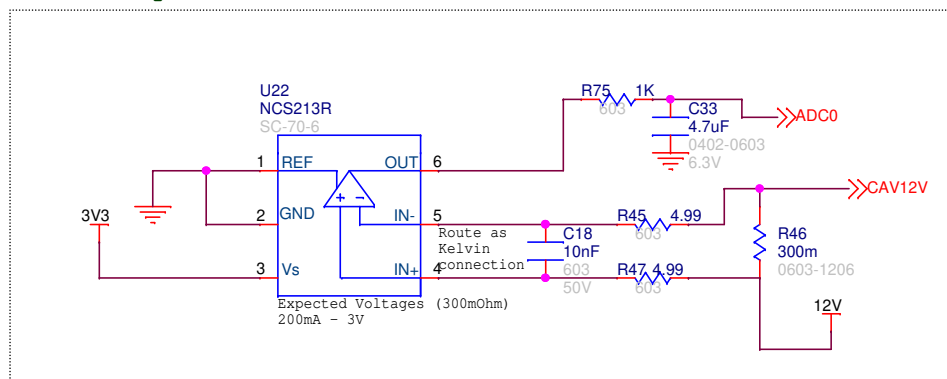
## Mounting Holes for LED Cover



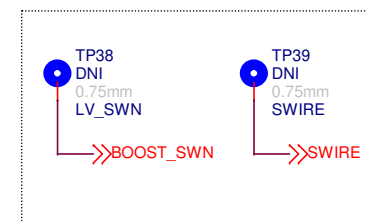
## Voltage Monitoring



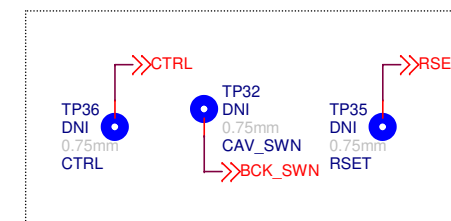
## BUCK - Input Current Monitor - CAV4201



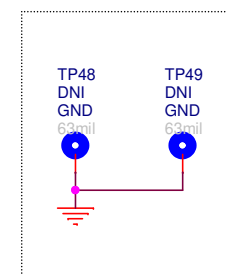
## BOOST - Test Points



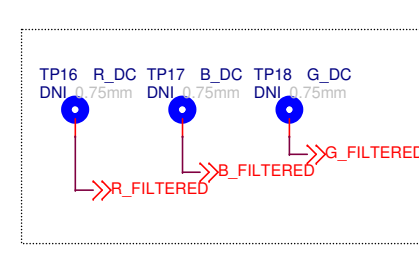
## BUCK - Test Points



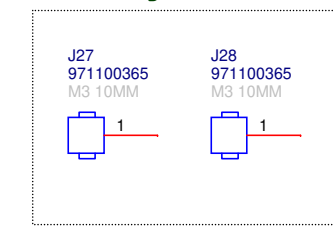
## GND Holes



## LINEAR - Test Points



## Mounting Holes for Board

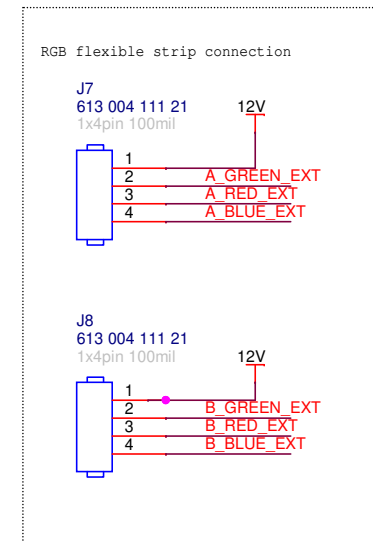


**ON Semiconductor**

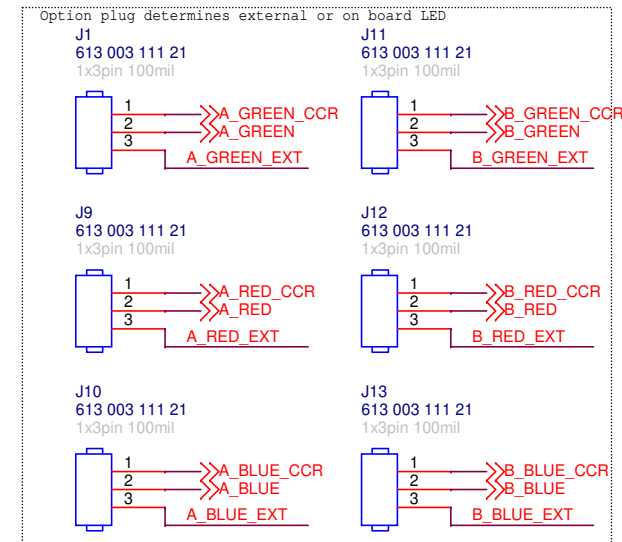
Title Yaquina Bay LED Board		
Size Custom	Document Number ONSEC-18-030	Rev REV1
Date: Monday, February 04, 2019	Sheet 6 of 8	

# External Connections

## PULSE External Connections

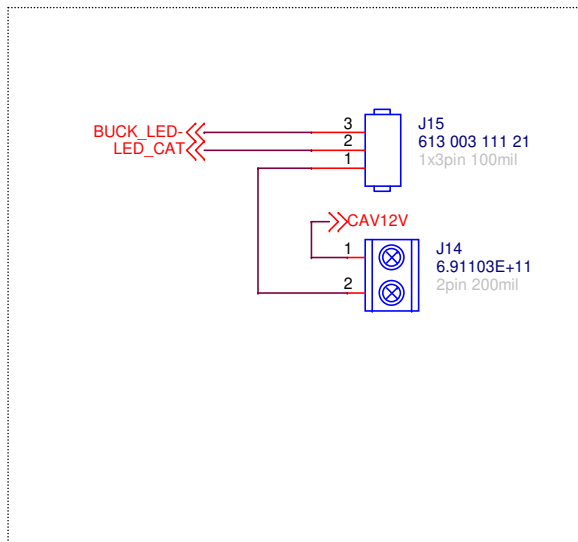


## PULSE Option Selector



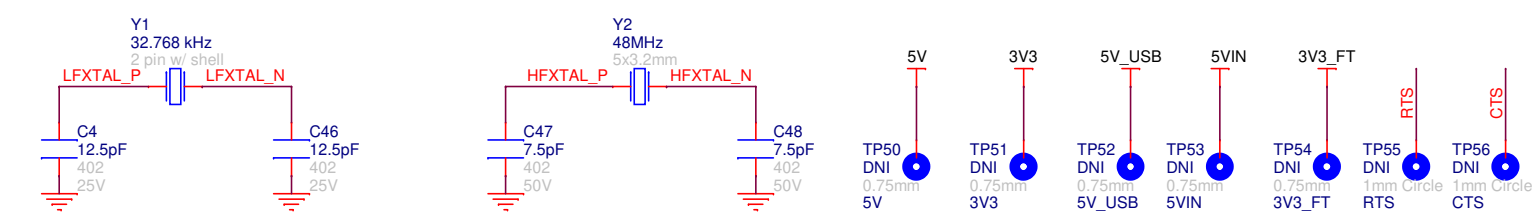
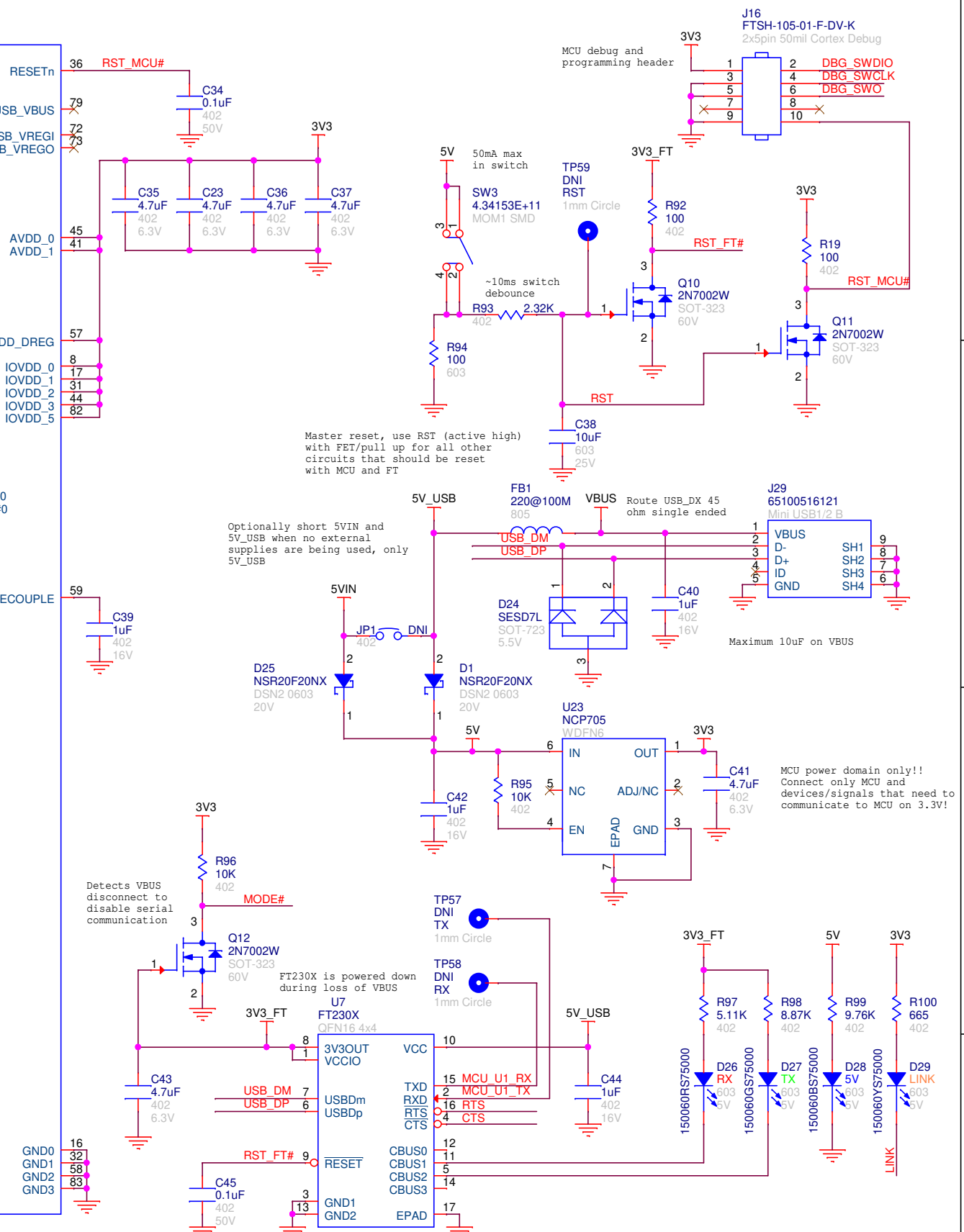
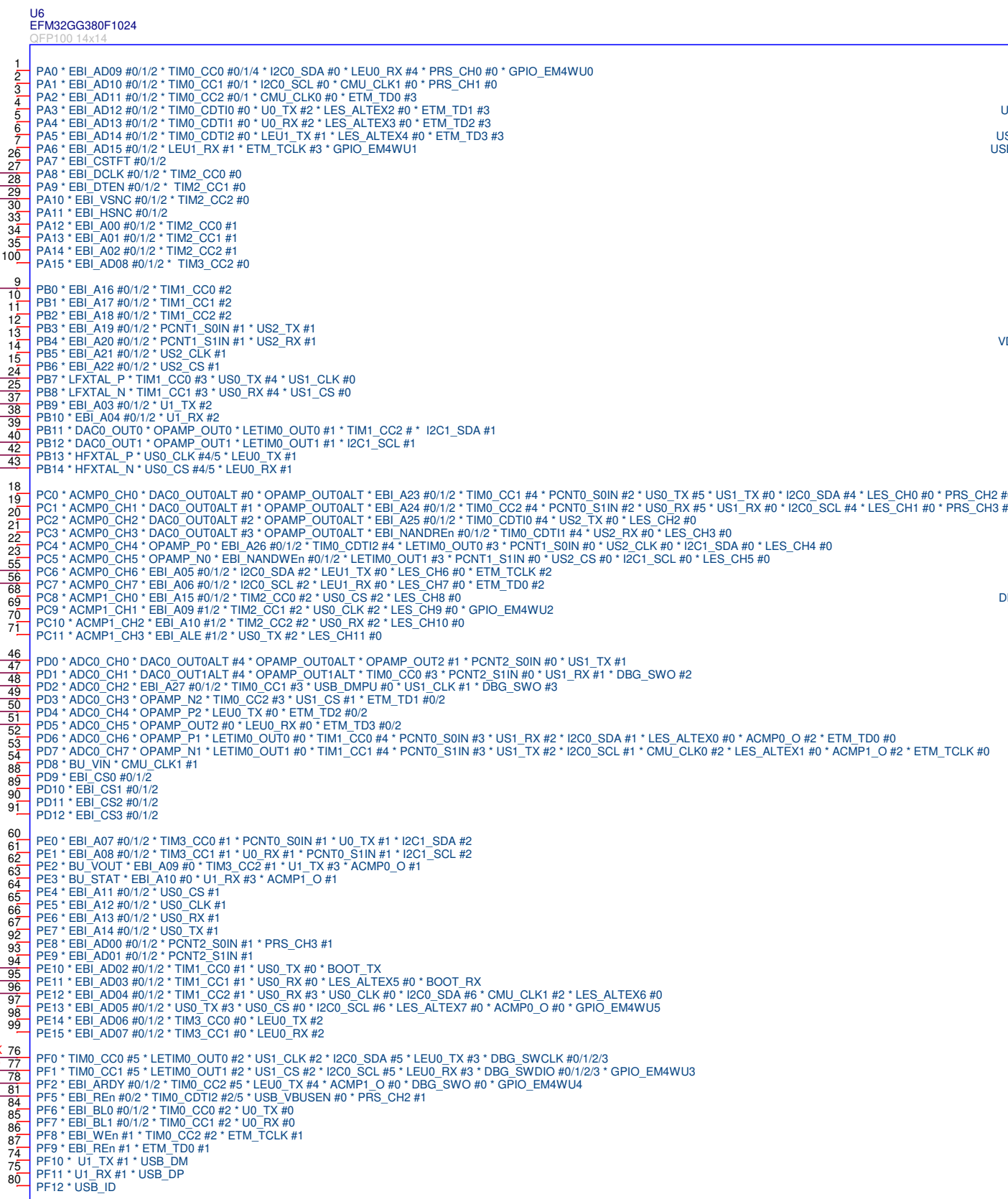
## BUCK - Option Selector

Option plug determines external or on board LED



**ON Semiconductor**

Title Yaquina Bay LED Board		
Size Custom	Document Number ONSEC-18-030	Rev REV1
Date: Monday, February 04, 2019	Sheet 7 of 8	



**ON Semiconductor**

Title Yaquina Bay LED Board		
Size Custom	Document Number ONSEC-18-030	Rev REV1
Date: Wednesday, February 20, 2019	Sheet 8	of 8