

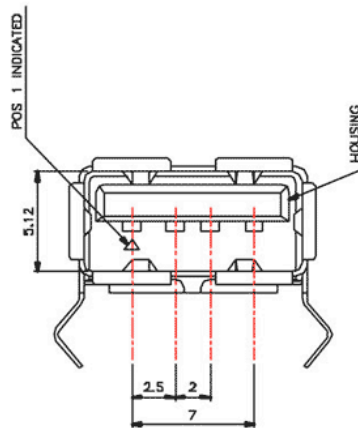
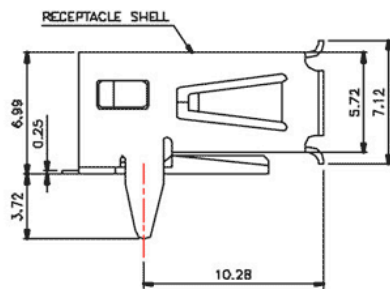
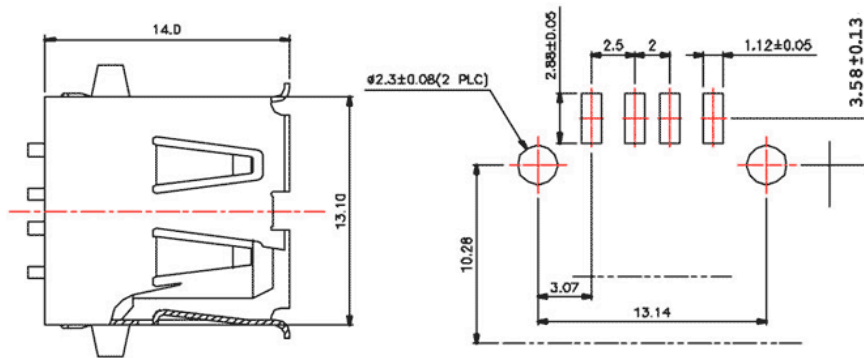
**USB Connector A Type PCB R/A SMT**  
**SPECIFICATIONS**

**Materials**

Insulator: thermoplastic, glass filled, UL 94V-0  
 Contacts: Phosphor bronze  
 Plated: 10µ" gold plated  
 SMD Plated: 120µ" tin plated  
 Plastic: Nylon 6T  
 Shell: Copper alloy, tin plated

**Electrical**

Insulation Resistance: 1000 MΩ minimum  
 Contact Resistance: 30 mΩ Max. initial  
 Dielectric Withstanding Voltage: 750V AC for one minute  
 Current: 1.5 Ampere max. per contact at 30°C T-rise  
 Voltage: 30V AC (rms)  
 Temperature: -55°C ~85°C



**Order Information**

**33UBA RS1 - 04 S W 1 1**  
 1 2 3 4 5 6 7

**1. Series No.**  
33UBA

**3. No. Of Contacts**  
04: 4 pin

**5. Insulator Color**  
W: White

**7. Packaging**  
1: Packed in tray

**2. Terminal Version**  
RS1: R/A SMT

**4. Connector Type**  
S: Female

**6. Shield**  
1: W/O back shell  
0: W/ back shell



File #: 127344



File #: LR97981