

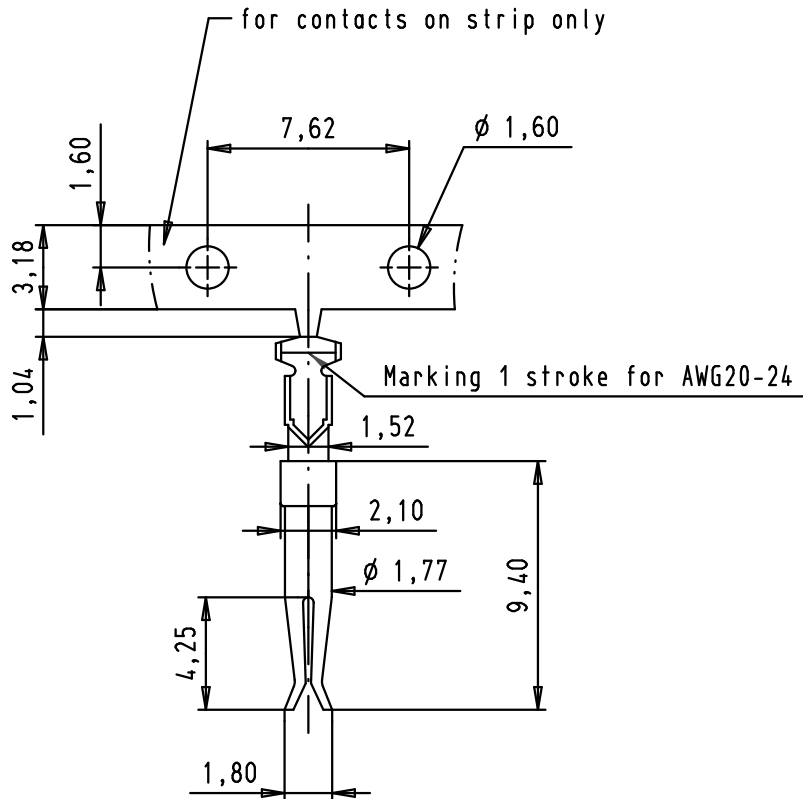
5

4

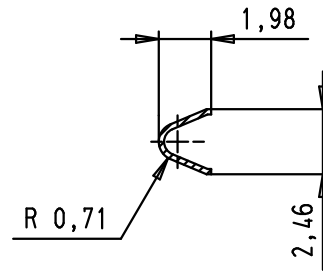
3

2

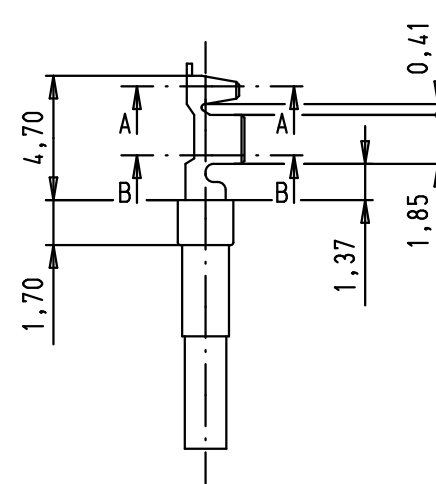
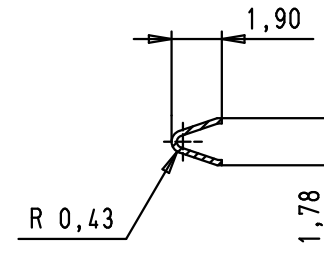
1



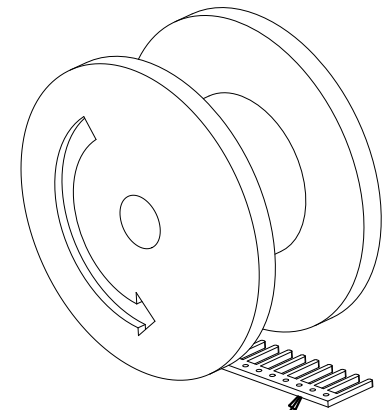
Section A-A



Section B-B



Reel unrolling left



orientation of crimping area

Base material: brass  
 Plating: sliding contact selective gold plated over nickel  
 nickel plated crimp area  
 Number of contacts per reel: 500

				Dat.	Name	 All Dim. in mm Orig. Size DIN A 4	D-Sub, stamped female AWG 20-24 crimp contact, reel unrolling left	Maßstab/ Scale 3,5:1
			Detail.	24/03/03	PP			
			Insp.	13/01/12	JB			
			Stand.					
09 67 000 8268	PL2	36288	13/01/12	SD	HARTING EURL F-95972 Paris		TB 09 67 000 826X	Blatt/ Page 1 / 1
09 67 000 8267	PL3	33937	01/03/07	PK				
09 67 000 8266	PL1	31476	24/03/03	PP				
Part number	Performance level	Mod.	Dat.	Name				

D

C

B

A