

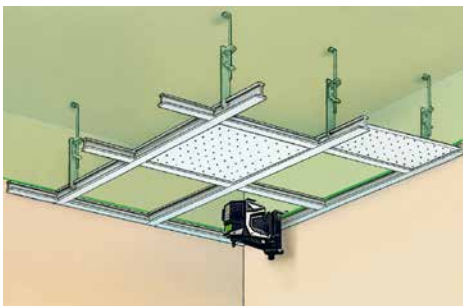
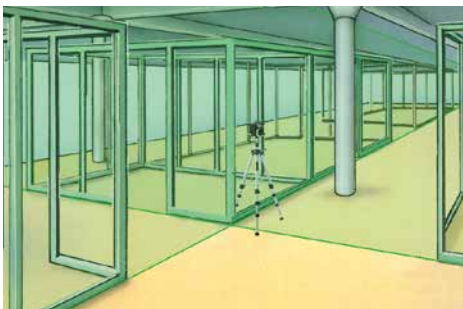
Laserliner

X3-Laser Pro



Three-dimensional laser with three green 360° laser circles and magnetic clamp and wall bracket

Rev18W44

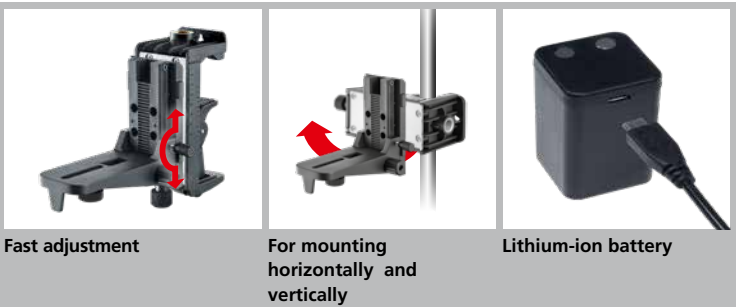
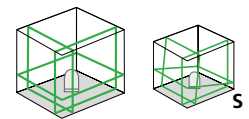


- **Horizontal and vertical 360° laser lines with green DLD laser technology achieve high quality** for a sharp, distinct and therefore clearly visible line image.
- Straight forward plumb function using laser crosses
- **Automatic Level:** automatic alignment by virtue of a magnetic pendulum system.
- **Tilt mode is an additional feature** that permits gradients to be laid out.
- With the **magnetic clamp and wall bracket CrossGrip Pro** the device can be used as a standalone unit, in a combination as well as in horizontal and vertical position.
- Ideal for mounting horizontally and vertically on **drywall construction profiles**.
- Optimised for **work close to the ceiling**
- **Out-Of-Level:** is indicated by optical signals when the unit is outside its self-levelling range.
- **GRX-Ready:** in combination with the optional laser receiver, the integrated hand-held receiver mode permits detection of laser lines at long distances and under unfavourable light conditions.
- **Mains operation** possible using mains unit.
- **Lithium-ion battery** with micro-USB interface to charge
- Long-lasting, powerful **lithium-ion battery**

TECHNICAL DATA

SELF-LEVELLING RANGE ± 3°	
ACCURACY ± 0,2 mm / m	
OPERATING RANGE (depending on room illumination) 30 m	
WORKING RANGE WITH HAND RECEIVER (depends on how the technology affects the difference in brightness) 40 m	
LASER WAVELENGTH 515 nm	
LASER CLASS 2 / <1 mW	
POWER SUPPLY Li-Ion battery pack 3.7V / 1.7 Ah; power pack 5V / 1000 mA	
OPERATING TIME	
with 3 laser levels	approx. 4 hours
with 2 laser levels	approx. 6 hours
with 1 laser level	approx. 10 hours
OPERATING CONDITIONS 0°C ... 50°C, Max. humidity 80% rH, no condensation, Max. working altitude 4000 m above sea level	
STORAGE CONDITIONS -10°C ... 70°C, Max. humidity 80% rH	
DIMENSIONS (W x H x D) 140 x 125 x 103 mm	
WEIGHT (including battery pack) 925 g	

1H360° 2V360°



Fast adjustment

For mounting horizontally and vertically

Lithium-ion battery



X3-Laser Pro
incl. L-BOXX 136
+ CrossGrip Pro
+ 2x Li-Ion battery pack
+ 1x power supply/battery charger
Packing dimension (W x H x D)
442 x 151 x 357 mm

ARTICLE	ARTICLE NO	EAN-CODE	PU
X3-Laser Pro	036.800L	4 021563 705221	1

