

Fluid Level Measurement

Fluid Level Temperature Gauges



Fluid Level/Temperature Gauges

Specification



Construction:

Lens Transparent polyamide.
 Lens base Nylon 66.
 Shroud High impact polystyrene.
 No aluminium content.

Bolts:

Steel.

Seals:

Nitrile.

Maximum working pressure:

1 bar.

Working temperature:

-30°C to +90°C.

Fluid compatibility:

Mineral and petroleum based oils.

Note:

A 500mm model with metal shroud finished in black available.

Recommended bolt tightening torque:

10 Nm maximum.

Thermometer scale range:

+30°C to +90°C.

Temperature Indicator:

Blue alcohol.

Note:

1. Locate seals in mounting recess before fitting.
2. Select the size required by studying the installation details to determine a part number.

Size 1 Installation Details

For 'through hole' mounting:

| Hole size | -Thread- | |
|-----------|----------|------|
| | M10 | M12 |
| Preferred | 11.0 | 13.0 |
| Maximum | 13.0 | 14.0 |

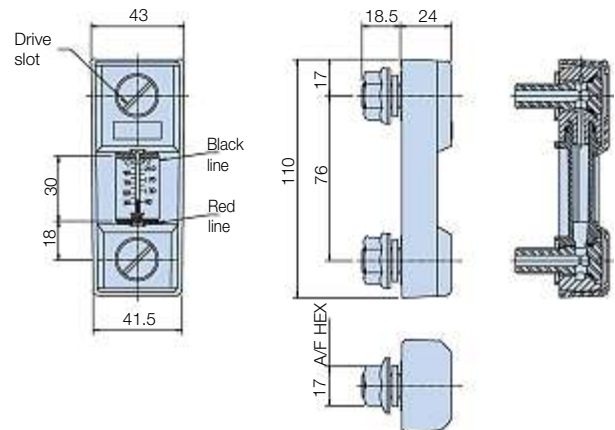
For tapped holes:

Holes to be tapped square to mounting face.

Tolerance on hole centres: +0.5
 -0.2

For welded back nuts:

The above details should be combined.



Installation and Application Information

Simple to Install

The universal fixing is designed for either front or rear fixing. Just two holes in the tank – threaded for front fixing – and the gauge is ready to install. After positioning the gauge the bolts are simply tightened to provide a secure seal. There is no fear of leakage with the square section seals and the two-point mounting system eliminates problems with tank distortion. M10 and M12 bolt thread options are available.

Easy to Read

The high-visibility lens is one-piece for added security and moulded in shatterproof, transparent polyamide for an accurate and clear oil level and temperature indication. Further gauge protection is provided by a specially designed shroud moulded in high-impact, black polystyrene.

Size 1 Ordering Information

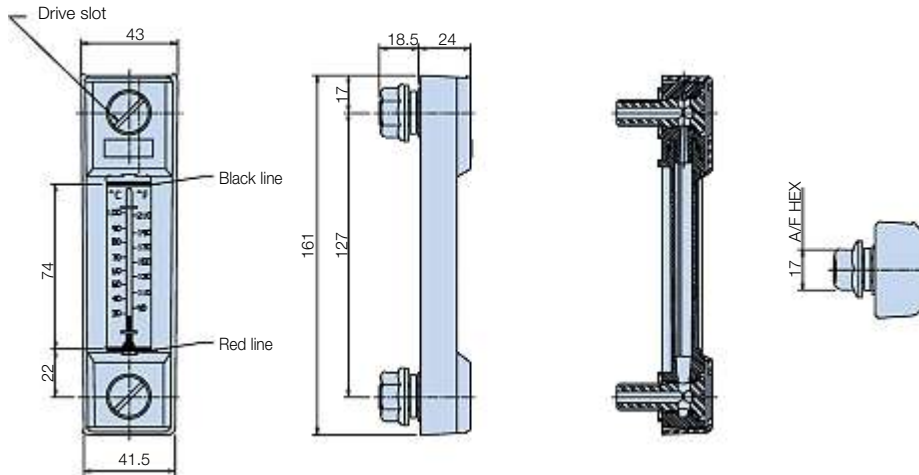
Standard products table

| Part number | Supersedes | Description | Centres | Thread | Max temp | Weight |
|----------------|------------|------------------|---------|--------|----------|--------|
| FL69121 | FLT.121 | Fluid level/temp | 76mm | M10 | 90°C | 0.13Kg |
| FL69123 | FLT.123 | Fluid level/temp | 76mm | M12 | 90°C | 0.13Kg |
| FL69111 | FL.111 | Fluid level | 76mm | M10 | 90°C | 0.13Kg |
| FL69113 | FL.113 | Fluid level | 76mm | M12 | 90°C | 0.13Kg |

Note 1: Part numbers featured with bold highlighted codes will ensure a 'standard' product selection.

Note 2: Alternate displayed part number selection will require you to contact Parker Filtration for availability.

Size 2 Installation Details



Size 2 Ordering Information

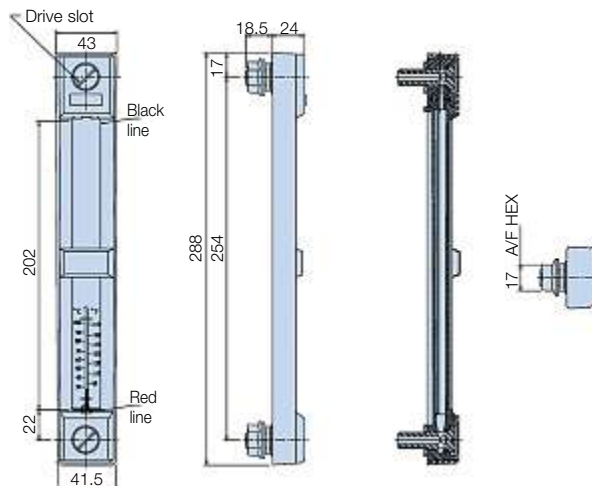
Standard products table

| Part number | Supersedes | Description | Centres | Thread | Max temp | Weight |
|----------------|------------|------------------|---------|--------|----------|--------|
| FL69221 | FLT.221 | Fluid level/temp | 127mm | M10 | 90°C | 0.15Kg |
| FL69223 | FLT.223 | Fluid level/temp | 127mm | M12 | 90°C | 0.15Kg |
| FL69211 | FL.211 | Fluid level | 127mm | M10 | 90°C | 0.15Kg |
| FL69213 | FL.213 | Fluid level | 127mm | M12 | 90°C | 0.15Kg |

Note 1: Part numbers featured with bold highlighted codes will ensure a 'standard' product selection.

Note 2: Alternate displayed part number selection will require you to contact Parker Filtration for availability.

Size 3 Installation Details



Size 3 Ordering Information

Standard products table

| Part number | Supersedes | Description | Centres | Thread | Max temp | Weight |
|----------------|------------|------------------|---------|--------|----------|--------|
| FL69321 | FLT.321 | Fluid level/temp | 254mm | M10 | 90°C | 0.23Kg |
| FL69323 | FLT.323 | Fluid level/temp | 254mm | M12 | 90°C | 0.23Kg |
| FL69311 | FL.311 | Fluid level | 254mm | M10 | 90°C | 0.23Kg |
| FL69313 | FL.313 | Fluid level | 254mm | M12 | 90°C | 0.23Kg |

Note 1: Part numbers featured with bold highlighted codes will ensure a 'standard' product selection.

Note 2: Alternate displayed part number selection will require you to contact Parker Filtration for availability.

