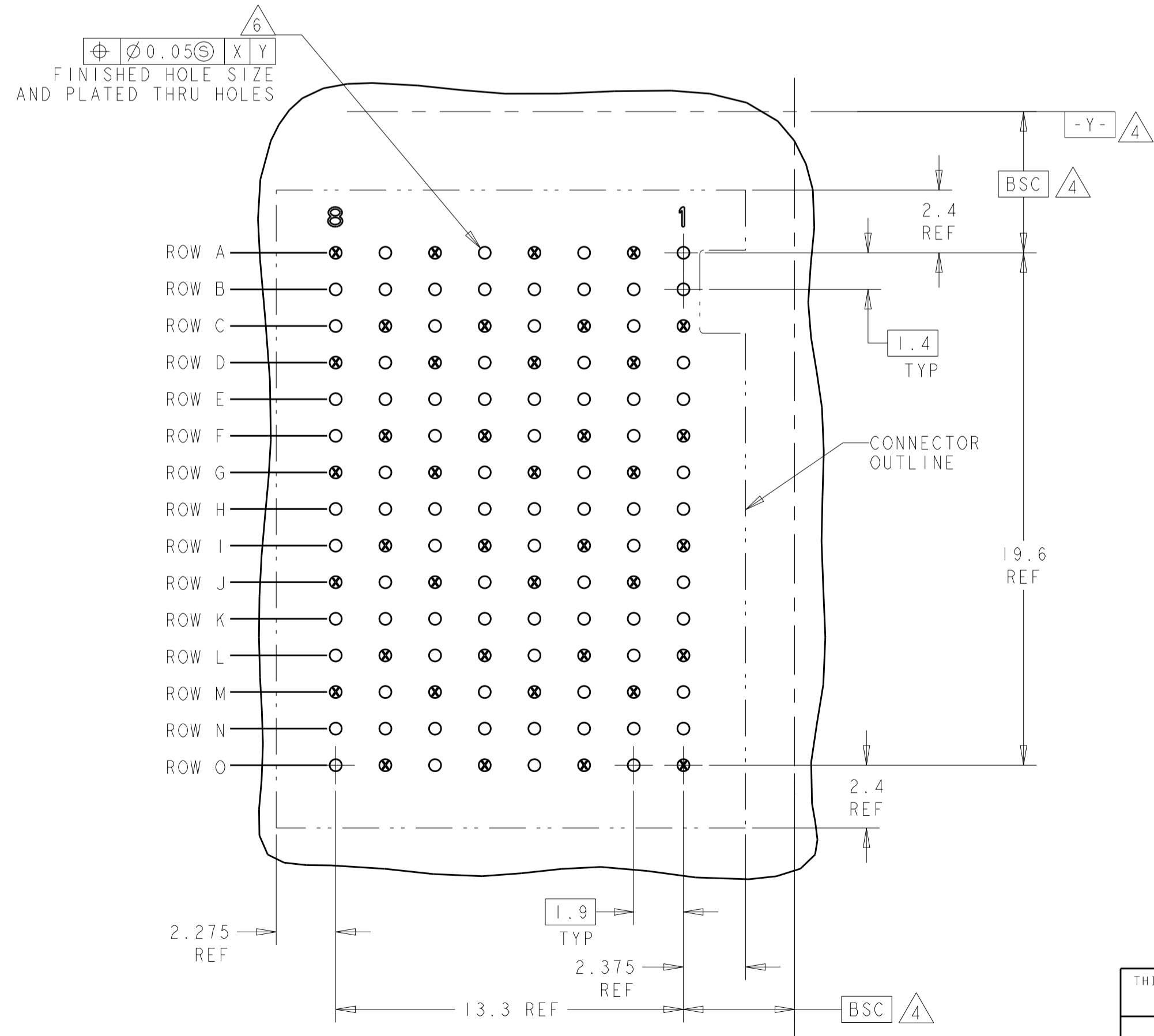
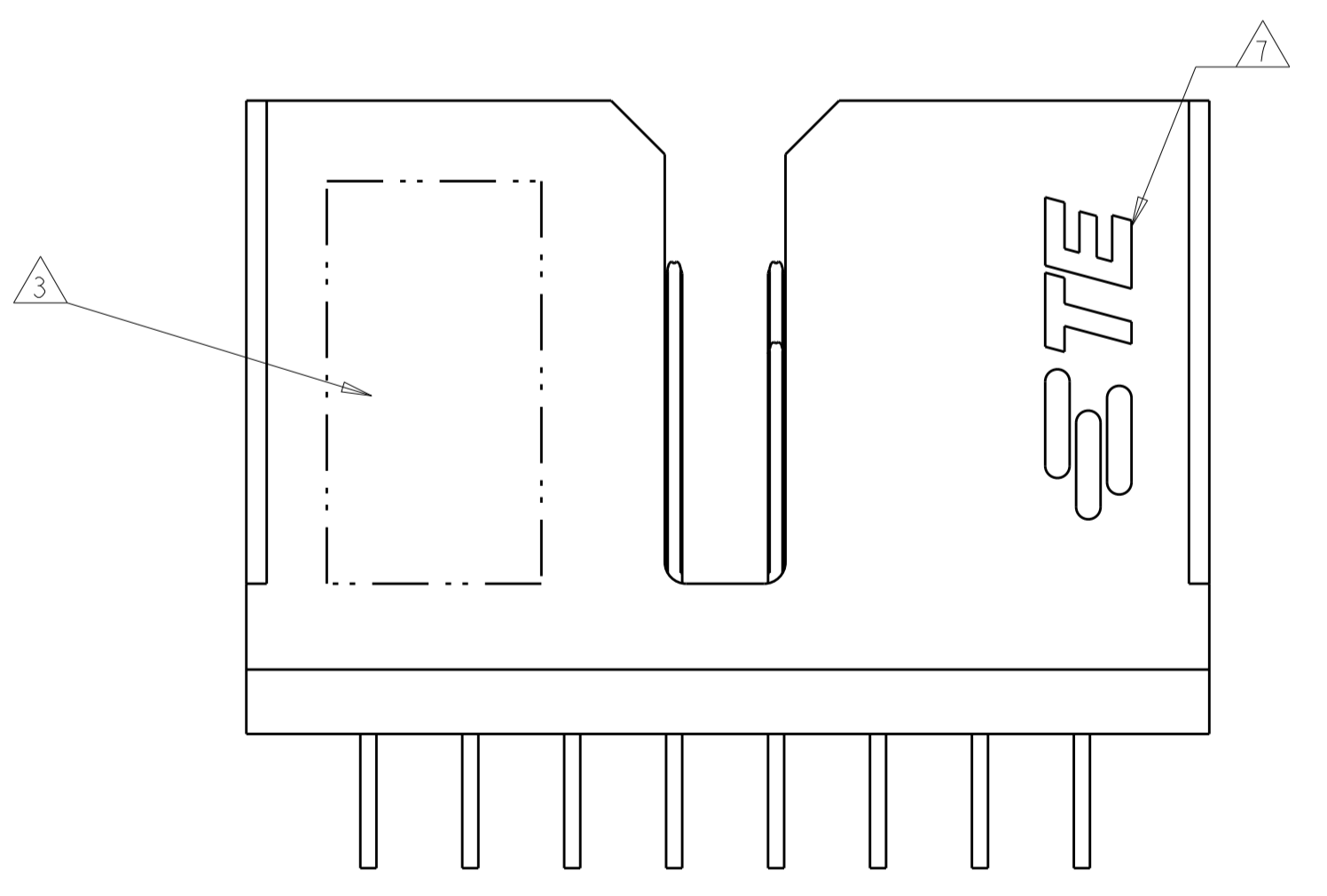
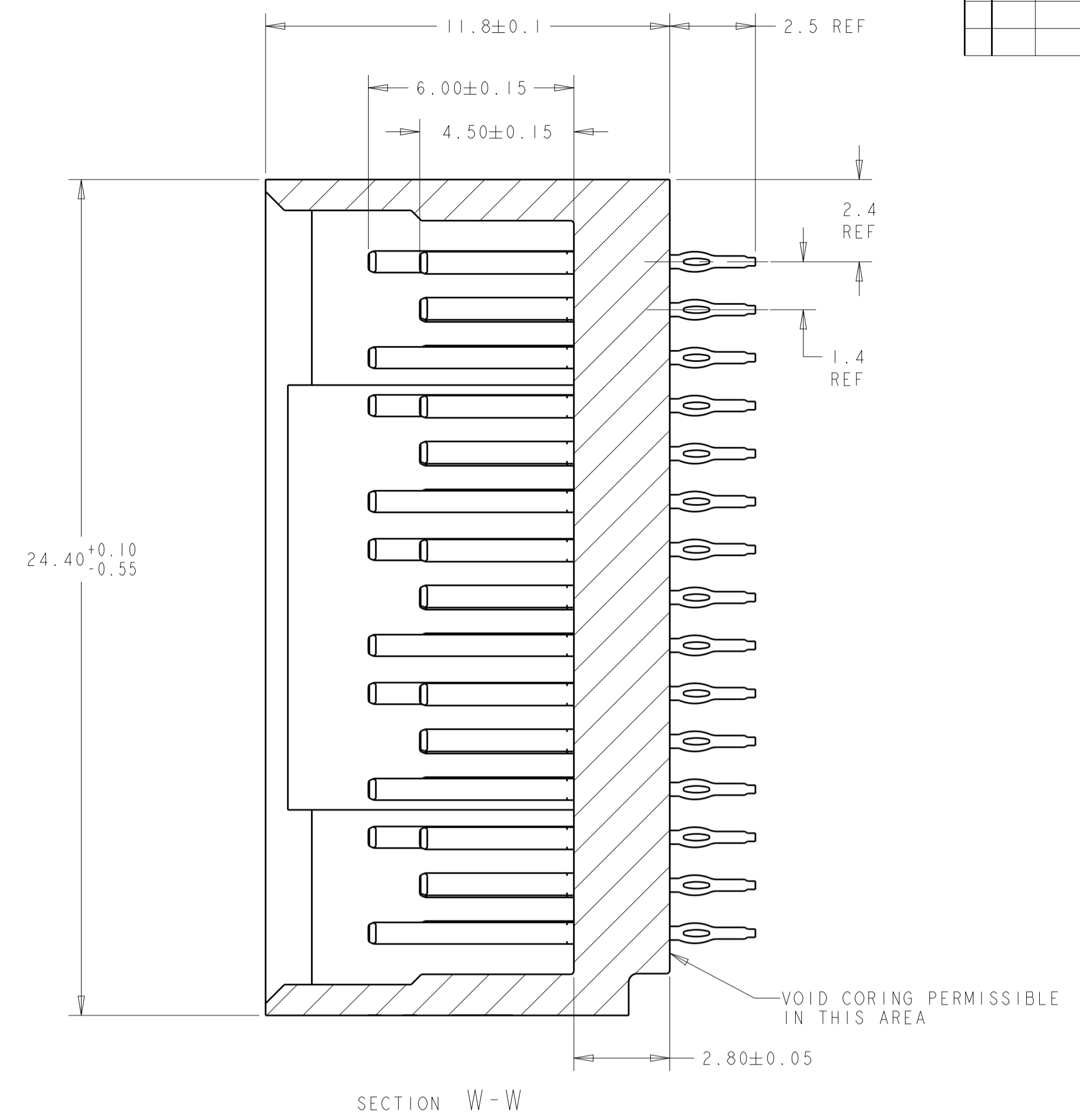
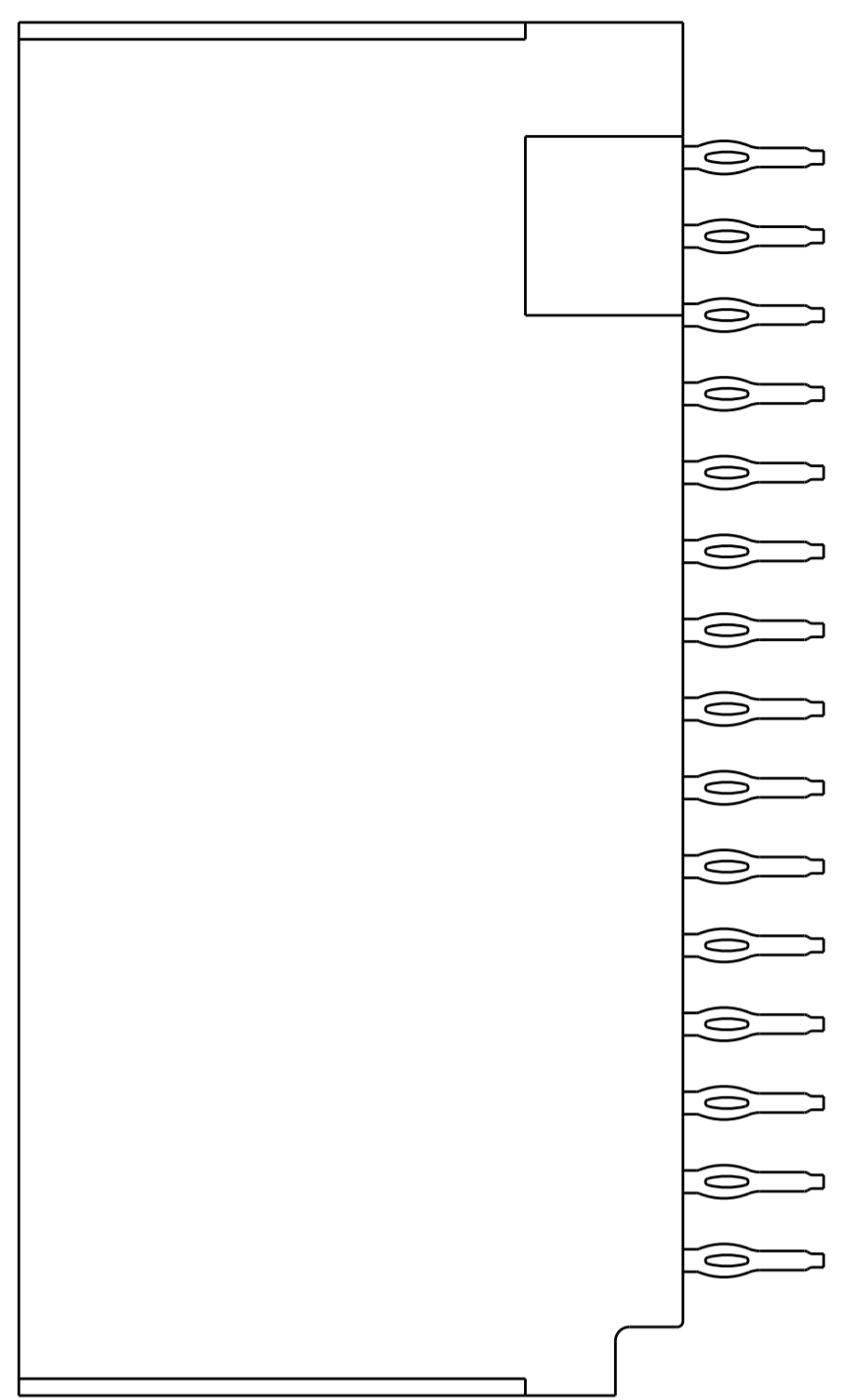
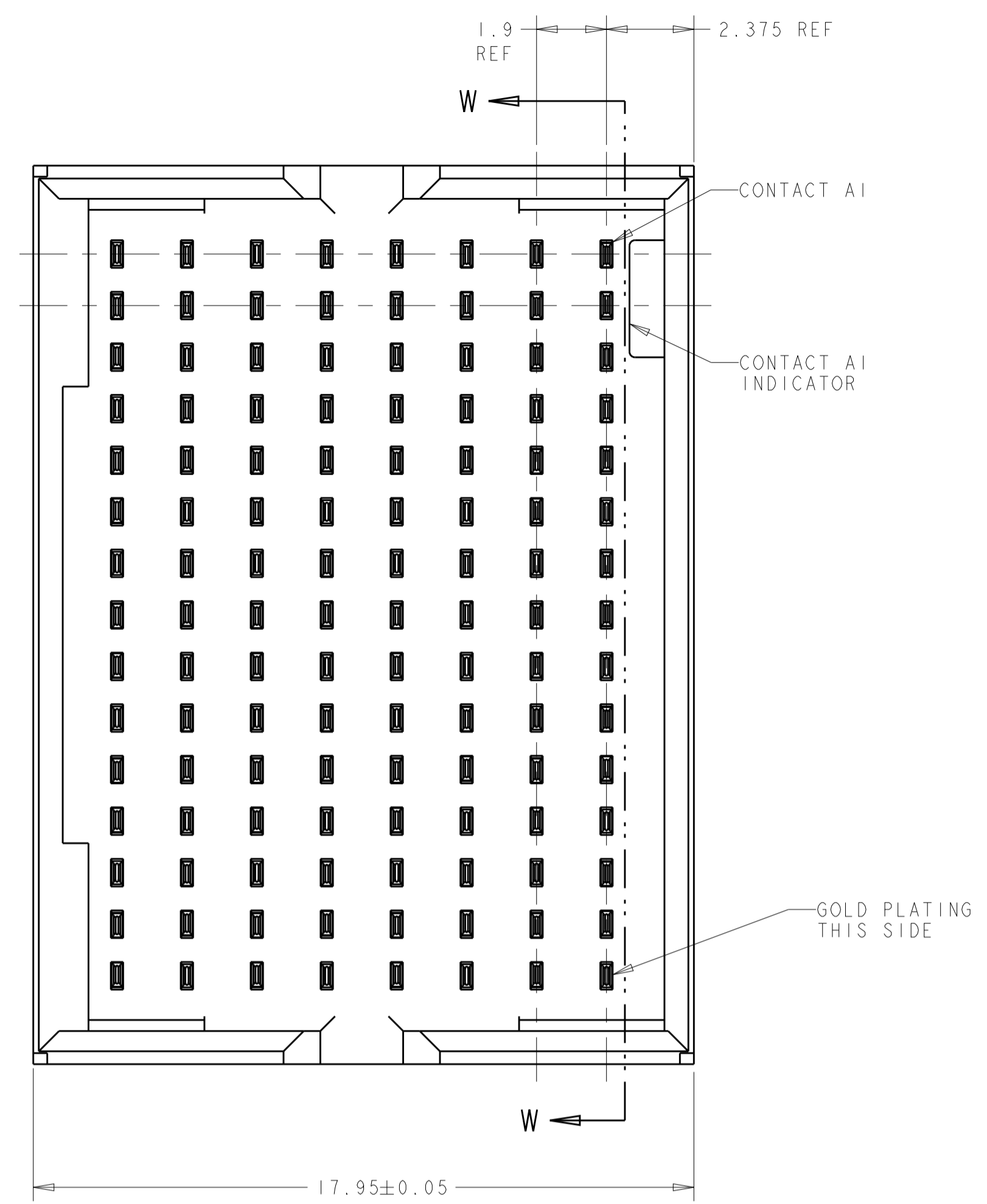


LOC		DIST		REVISIONS			
P	LTN	DESCRIPTION	DATE	DWN	APVD		
F		REVISED PER ECO-13-010626	31JUL2013	KH	RP		
G		REVISED PER ECO-19-009248	28JUN2019	AP	SY		



- 1 MATERIAL:  
CONTACT - PHOS BRONZE  
HOUSING - LCP, UL 94V-0, COLOR - BLACK
- 2 FINISH:  
CONTACT AREA FINISH CONFORMS TO THE REQUIREMENTS OF TE PRODUCT SPECIFICATION 108-2303; BASED ON TELCORDIA GR-1217-CORE FOR SYSTEM QUALITY LEVEL III APPLICATIONS IN CONTROLLED ENVIRONMENTS (CENTRAL OFFICE).  
COMPLIANT PIN AREA- 0.5µm MIN MATTE TIN OVER 1.27µm MIN NICKEL.
- 3 CONNECTOR MARKED WITH PART NUMBER, DATE CODE AND STANDARD IN APPROXIMATE AREA SHOWN
- 4 DATUMS AND BASIC DIMENSIONS ESTABLISHED BY CUSTOMER.
- 5. CONTACT AREA LUBRICATED WITH BELLCORE APPROVED LUBRICANT. TECHNICAL REFERENCE GR-1217-CORE, ISSUE 1, NOVEMBER 1995.
- 6 REFERENCE APPLICATION SPEC 114-13202 FOR RECOMMENDED PLATED THRU HOLE DIAMETER AND PLATING THICKNESSES.
- 7 SHOWN LOGO OR OTHER TE OWNED LOGOS IN APPROXIMATE AREA.

○ = SIGNAL  
 ⊗ = GROUND  
 RECOMMENDED PCB BOARD LAYOUT BACKPLANE, COMPONENT SIDE SHOWN  
 SCALE 6:1

THIS DRAWING IS A CONTROLLED DOCUMENT.		DWN S. MAGARO 03MAY2007	TE Connectivity
DIMENSIONS: mm		CHK W. DAVIS 03MAY2007	
TOLERANCES UNLESS OTHERWISE SPECIFIED:		APVD B. PATTERSON 27AUG2007	NAME: HEADER ASSEMBLY, DOUBLE WALL, 5 PAIR, 8 COLUMN TinMan
0 PLC ±		PRODUCT SPEC	
1 PLC ±		APPLICATION SPEC	SIZE: A1
2 PLC ±		FINISH	CAGE CODE: 1934271
3 PLC ±		WEIGHT	DRAWING NO: 1934271-1
4 PLC ±		CUSTOMER DRAWING	SCALE: 8:1
ANGLES			SHEET 1 OF 1
FINISH			REV G