

# Customer Information Sheet

DRAWING No.: M80-336 TO M80-337

SHEET 2 OF 2

IF IN DOUBT - ASK

©

NOT TO SCALE

THIRD ANGLE PROJECTION

ALL DIMENSIONS IN mm

**SPECIFICATIONS:**

**MATERIALS:**

BODY = COPPER ALLOY  
LATCHING COLLAR = BERYLLIUM COPPER

**FINISH:**

BODY = GOLD  
LATCHING COLLAR = NICKEL

**ELECTRICAL:**

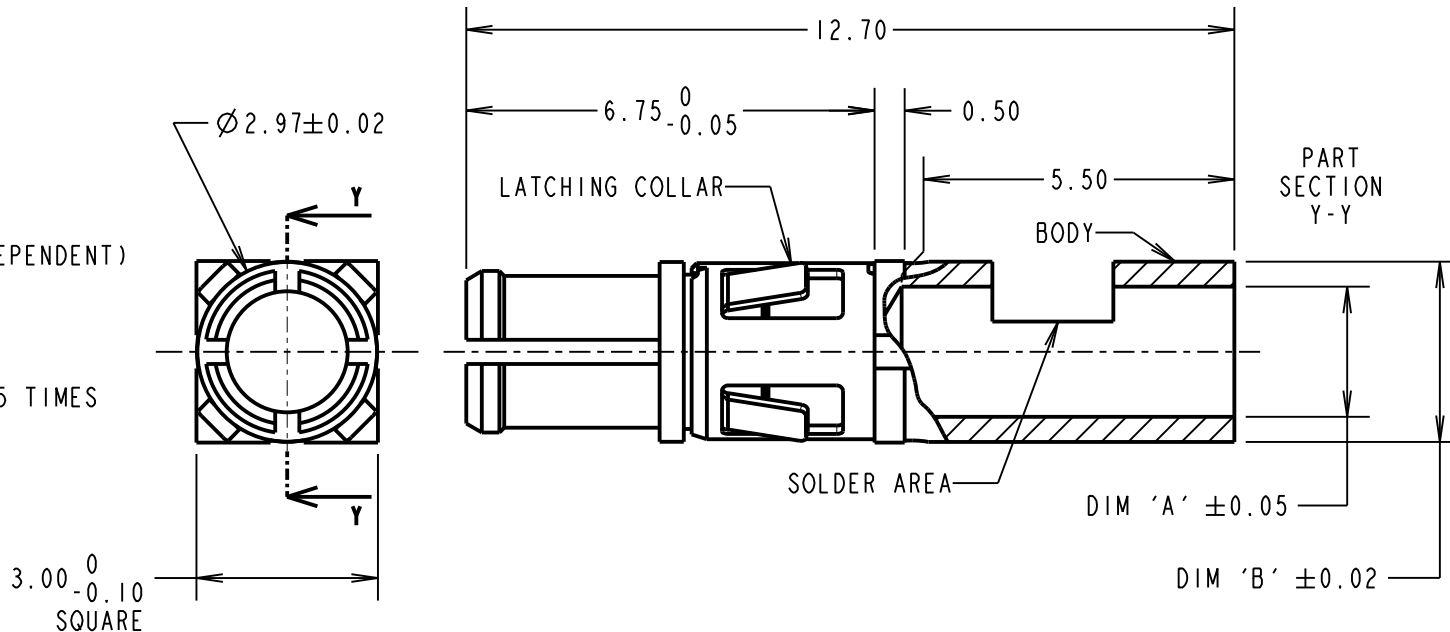
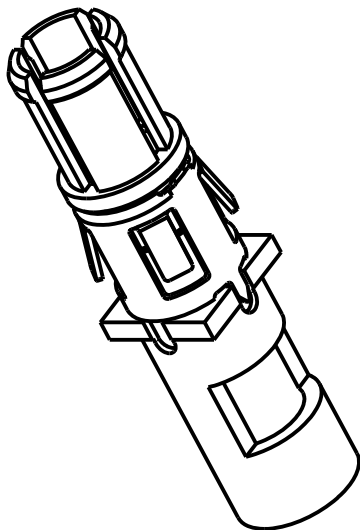
CONTACT RESISTANCE =  $6m\Omega$  MAX  
CURRENT RATING = SEE TABLE (CABLE DEPENDENT)

**MECHANICAL:**

DURABILITY = 500 OPERATIONS  
INSERTION FORCE = 8N MAX  
WITHDRAWAL FORCE = 0.5N MIN  
CONTACT REPLACEMENT IN INSULATOR = 5 TIMES

**ENVIRONMENTAL:**

TEMPERATURE RANGE = -55°C TO +125°C



**NOTES:**

- CONNECTOR COMES SUPPLIED ASSEMBLED.
- STRIP WIRE BY 5.00mm MINIMUM.
- CONTACT EXTRACTION TOOL = Z80-290
- FOR ALL OTHER ELECTRICAL/MECHANICAL REQUIREMENTS, SEE COMPONENT SPECIFICATION C005XX (LATEST ISSUE).

PART No.	DIM 'A'	DIM 'B'	WIRE SIZE	CURRENT RATING
M80-336	$\phi 2.15$	$\phi 2.98$	14 AWG (19/0.30 OR 19/0.34)	15A
M80-337	$\phi 1.75$	$\phi 2.98$	16 AWG (19/0.25 OR 19/0.30)	10A

MGP	6	04.01.13	11898
NAME	ISS.	DATE	C/NOTE
APPROVED: MGP			
CHECKED: SB			
DRAWN: W. J. BOURNE			
CUSTOMER REF.:			
ASSEMBLY DRG:			

**HARWIN**

www.harwin.com  
technical@harwin.com

THIS DRAWING AND ANY INFORMATION OR DESCRIPTIVE MATTER SET OUT HEREON ARE CONFIDENTIAL AND COPYRIGHT PROPERTY OF THE HARWIN GROUP AND MUST NOT BE DISCLOSED, LOANED, COPIED OR USED FOR MANUFACTURING, TENDERING OR FOR ANY OTHER PURPOSE WITHOUT THEIR WRITTEN PERMISSION.

**TOLERANCES**  
X. =  $\pm 1mm$   
X.X =  $\pm 0.25mm$   
X.XX =  $\pm 0.10mm$   
X.XXX =  $\pm 0.01mm$   
**ANGLES =  $\pm 5^\circ$**   
**UNLESS STATED**

**MATERIAL:**

SEE ABOVE

**FINISH:** SEE ABOVE

**S/AREA:** mm<sup>2</sup>

**TITLE:** DATAMATE MIX-TEK  
POWER CONTACT  
MALE STRAIGHT SOLDER

**DRAWING NUMBER:**  
**M80-336 TO M80-337**

SHT  
2  
OF  
2

# Mouser Electronics

Authorized Distributor

Click to View Pricing, Inventory, Delivery & Lifecycle Information:

[Harwin:](#)

[M80-336](#) [M80-337](#)