

**RoHS
Compliant**



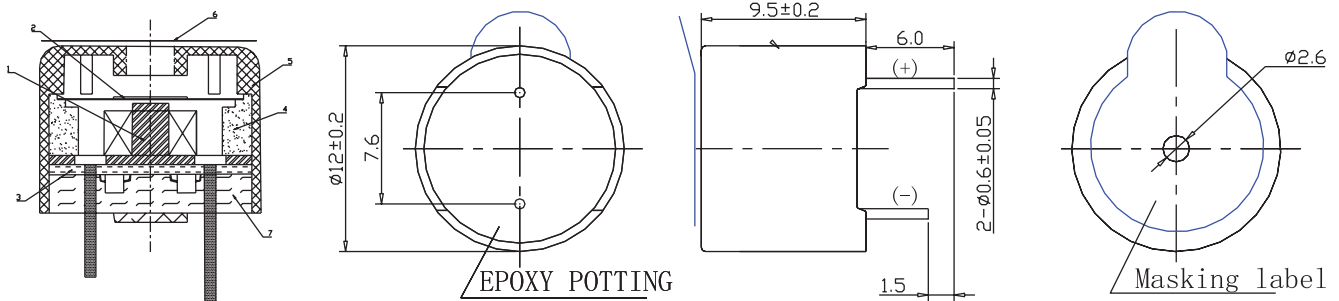
Features

- Colour : Black
- Housing material : Noryl
- Wave solderable and washable
- All data at 25°C unless otherwise specified

Specifications

Operating Voltage	: 1.2V DC to 3V DC
Rated Voltage	: 1.5V DC
Maximum Rated Current at Rated Voltage	: 20mA
Sound Output at 20cm, at Rated Voltage	: ≥80dB
Resonant Frequency	: 2400Hz ±100Hz
Tone	: Single
Operating Temperature	: -30°C to +70°C
Storage Temperature	: -40°C to +85°C
Weight	: 2g
Housing Material	: PBT (Black)
Lead Pin Material	: Red Copper (DSn)

Diagram



Dimensions : Millimetres

Tolerance : ±0.5mm

No.	Part Name	Material	Qty.
1.	Coil Part	Copper and Iron	1
2.	Diaphragm	Iron	1
3.	PCB	Exopy	1
4.	Magnetism	Plastic Magnetism	1
5.	Housing	PBT	1
6.	Masking label	Paper	1
7.	Potting	Exopy	1

Newark.com/multicomp-pro
Farnell.com/multicomp-pro
sg.element14.com/b/multicomp-pro

Part Number Table

Description	Part Number
Electro Mechanical Buzzer, 1.2V DC to 3V DC, 80dB	ABI-042-RC

Important Notice : This data sheet and its contents (the "Information") belong to the members of the AVNET group of companies (the "Group") or are licensed to it. No licence is granted for the use of it other than for information purposes in connection with the products to which it relates. No licence of any intellectual property rights is granted. The Information is subject to change without notice and replaces all data sheets previously supplied. The Information supplied is believed to be accurate but the Group assumes no responsibility for its accuracy or completeness, any error in or omission from it or for any use made of it. Users of this data sheet should check for themselves the Information and the suitability of the products for their purpose and not make any assumptions based on information included or omitted. Liability for loss or damage resulting from any reliance on the Information or use of it (including liability resulting from negligence or where the Group was aware of the possibility of such loss or damage arising) is excluded. This will not operate to limit or restrict the Group's liability for death or personal injury resulting from its negligence. Multicomp Pro is the registered trademark of Premier Farnell Limited 2019.