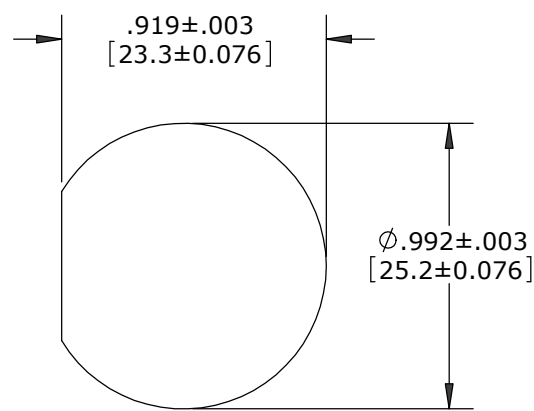
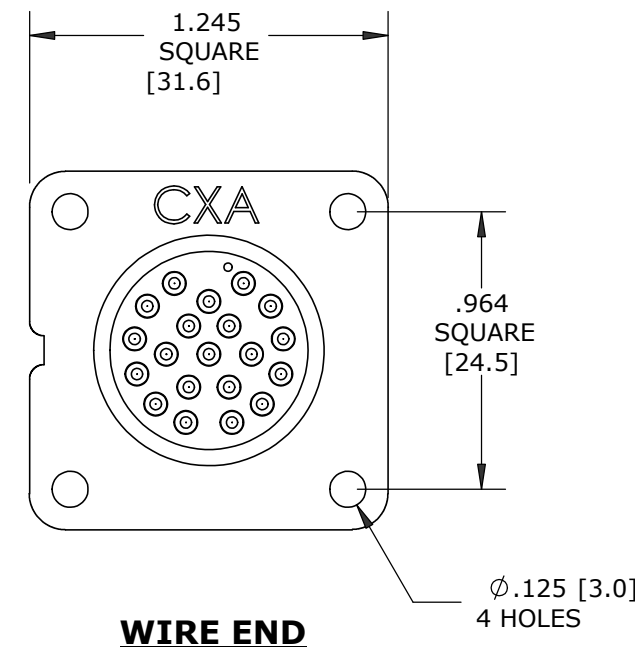
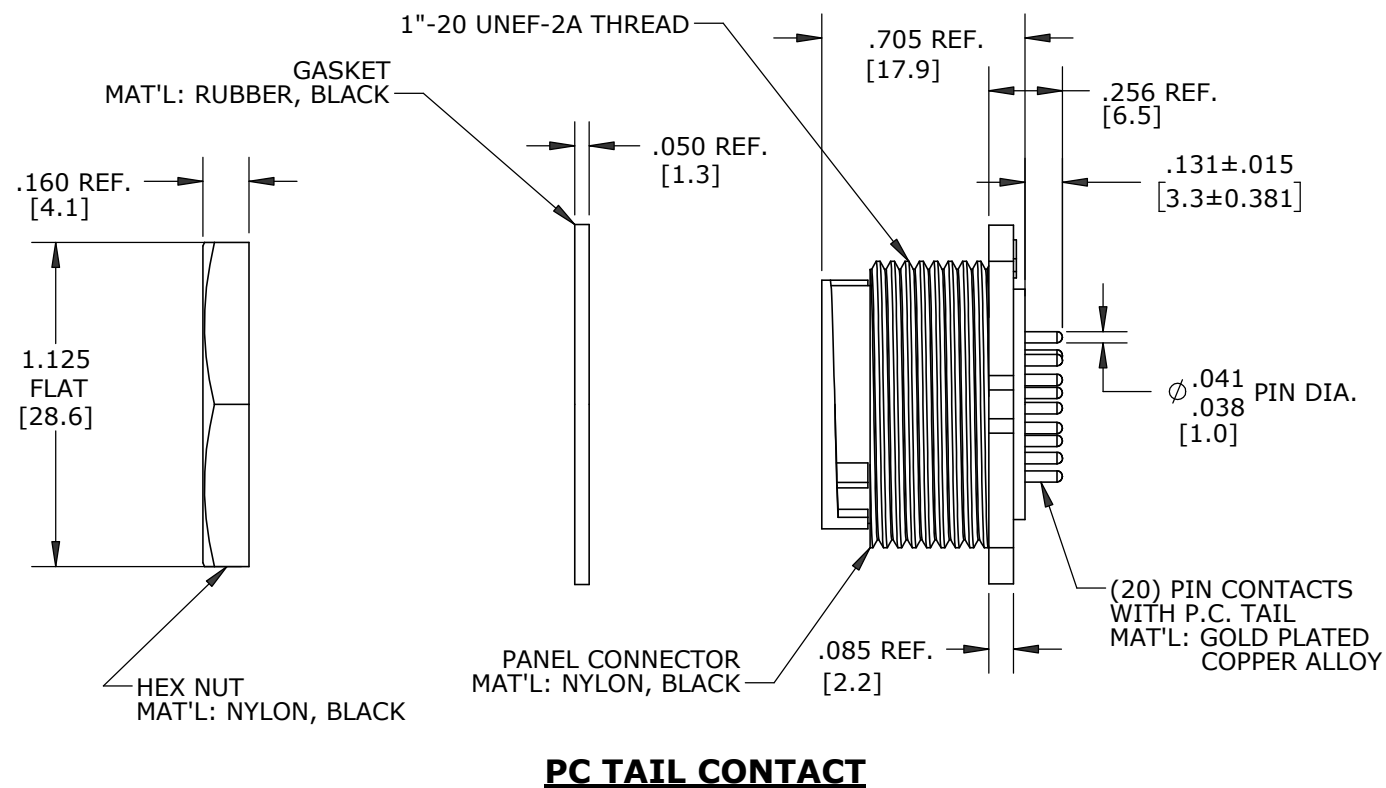
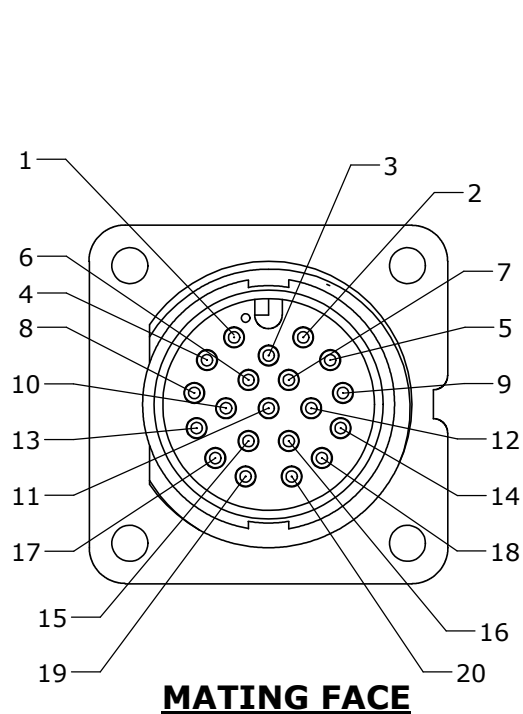


- Ⓜ NOTES:
1. FINISHED PRODUCT TO BE BOXED  
GASKETS AND HEX NUTS MAY BE PACKAGED SEPARATELY.
  2. CONTACTS ASSEMBLED INTO CONNECTOR.
  3. ALL DIMENSIONS ARE REFERENCE EXCEPT THOSE WITH A TOLERANCE.
  4. SEE DRAWING HPMXSTD FOR HOLE PATTERN.



CUSTOMER APPROVAL	
THIS DOCUMENT CONTAINS CONFIDENTIAL INFORMATION PROPRIETARY TO CONXALL CORPORATION. ANY REPRODUCTION, DISCLOSURE, OR USE OF THIS DOCUMENT /INFORMATION IS EXPRESSLY PROHIBITED UNLESS AUTHORIZED IN WRITING BY CONXALL CORPORATION.	
CHECKED BY: _____	APPROVED BY: _____
DATE: _____	

DIMENSIONS IN BRACKETS [ ] ARE METRIC

**RoHS COMPLIANT**

F	SS	06-26-20	CHANGED PACKAGING FROM BAGGED TO BOXED PER ECR 9526
E	MA	10-06-17	TOLERANCE ON .131 DIM WAS ±.010 PER ECR 9203
D	BZ	01-13-09	REMOVED P/N: 14282-20PG-300, SEE DRAWING 14282-XPG-300 PER ECR 7330
C	AN	07-28-08	UPDATED PER ECR 6905
B	GMC	05-22-08	MODIFIED NOTES 1 & 2 PER ECR 6863
A	RCS	03-08-02	DRAWING CREATED PER DOR 02-4021KZ SUPERSEDES SWG. 14281-20PG-300
REV.	INIT.	DATE	DESCRIPTION
ORIG. DRAWN BY: RCS		DATE: 02-20-02	<p>601 E. WILDWOOD VILLA PARK, IL 60181</p>
CHECKED BY:			
APPROVED BY:			TITLE: CONNECTOR ASS'Y KIT
SCALE: NTS	SIZE: B	SHEET: 1 OF 1	CUSTOMER: STANDARD PRODUCT
FILE: 14281-20PG-300	DIRECTORY: SLW	PART NUMBER: 14281-20PG-300	REV: F

# Mouser Electronics

Authorized Distributor

Click to View Pricing, Inventory, Delivery & Lifecycle Information:

[Switchcraft:](#)

[14281-20PG-300](#)