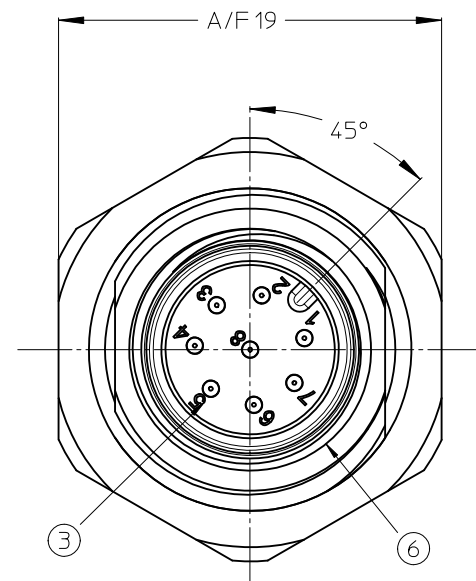
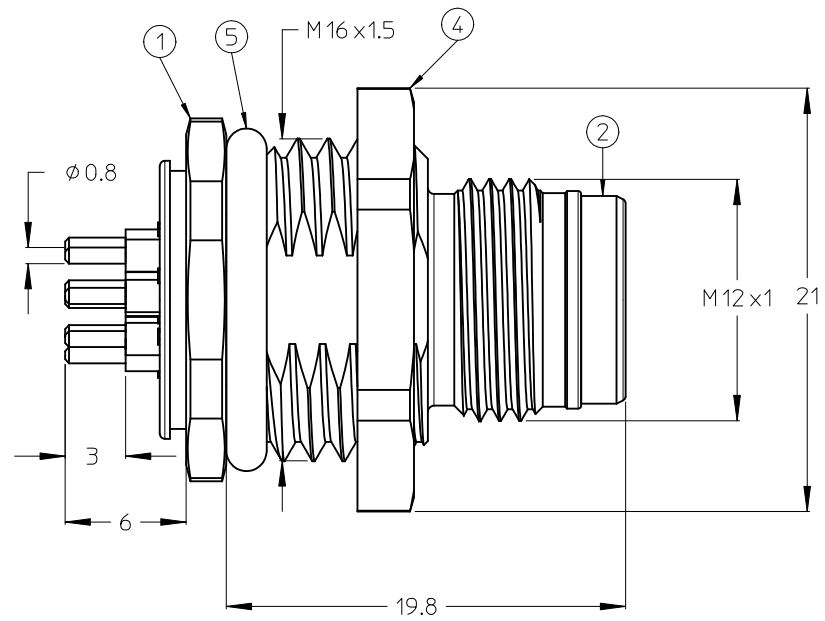
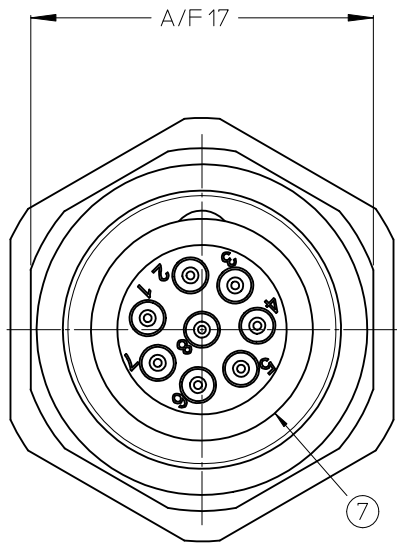
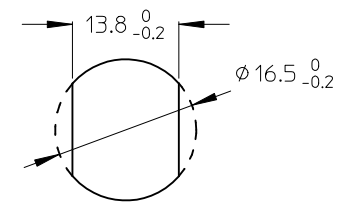
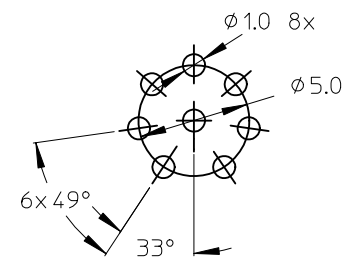
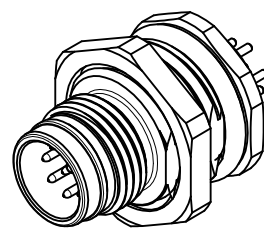


10 9 8 7 6 5 4 3 2 1



ITEM	COMPONENT	MATERIAL	FINISH
1	REC SHELL	BRASS	NICKEL PLATED
2	INSERT	PA	BLACK
3	CONTACT	BRASS / GOLD	CuZn Ni/ Au
4	M16 NUT	BRASS	NICKEL PLATED
5	O-RING	NBR	BLACK
6	O-RING	VITON	RED
7	POTTING MATERIAL	EPOXY	NONE



POL MATERIAL NO. ENGINEERING NO.
8 1200840032 WR8U46000

VOLTAGE RATING: 30 VAC / 36 VDC
 AMPERAGE RATING: 2 A
 PROTECTION CLASS: IP 67/68/69K
 OPERATING TEMPERATURE: -25°C / 90°C
 UL CERTIFICATION: FILE NO. E152210
 CSA CERTIFICATIONS: FILE NO. LR6837

ENTER DESCRIPTION EC NO: WEU2010-0298 DRW: NSTAUDIGEL 2010/01/26 CHKD: 2010/02/01 APPR: FPACHER 2010/02/02 REV 1	QUALITY SYMBOLS	GENERAL TOLERANCES (UNLESS SPECIFIED)	DIMENSION STYLE	SCALE	DESIGN UNITS	THIRD ANGLE PROJECTION
	▼=0 ◻=0	mm INCH 4 PLACES ± --- ± --- 3 PLACES ± --- ± --- 2 PLACES ± 0.05 ± --- 1 PLACE ± 0.1 ± --- ANGULAR ± ---°	MM ONLY	4:1	METRIC	
		DRAFT WHERE APPLICABLE MUST REMAIN WITHIN DIMENSIONS	DRAWN BY: NSTAUDIGEL DATE: 2010/01/26 CHECKED BY: _____ DATE: _____ APPROVED BY: FPACHER DATE: 2010/02/01 MATERIAL NO. _____	TITLE	M12U 8-P REC MALE BACK SHIELDED	
			APPROVED BY: FPACHER DATE: 2010/02/01 MATERIAL NO. _____	MOLEX INCORPORATED DOCUMENT NO. SD-120084-018		SHEET NO. 1 OF 1

9 8 7 6 5 4 3 2 1