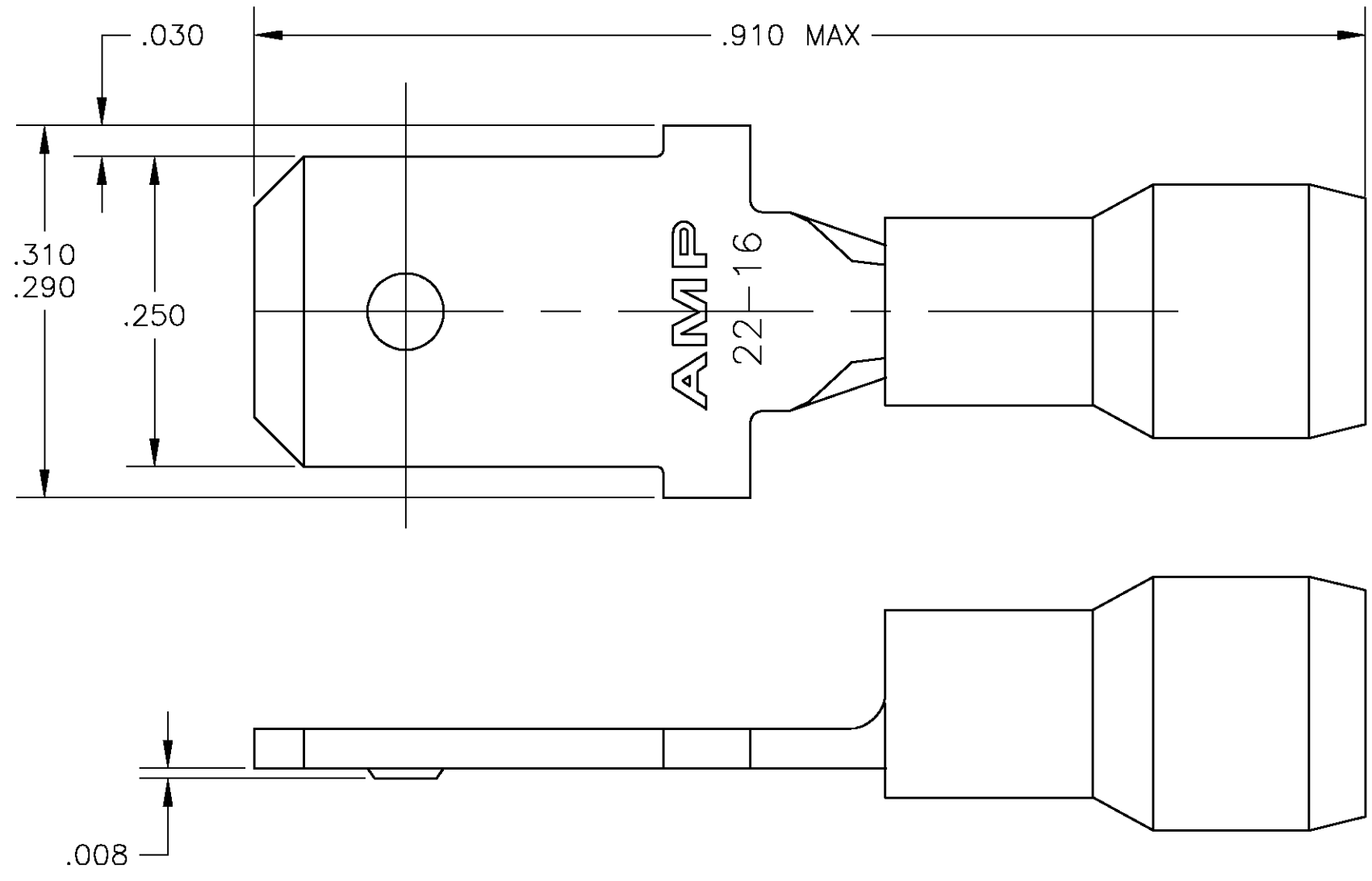


THIS DRAWING IS UNPUBLISHED. RELEASED FOR PUBLICATION
 © COPYRIGHT BY TYCO ELECTRONICS CORPORATION. ALL RIGHTS RESERVED.

LOC	DIST	REVISIONS					
G	86	P	LTR	DESCRIPTION	DATE	DWN	APVD
			K	REV PER 0G3A-0945-04	29NOV04	JR	TM



- 1 STAMPED "AMP 22-16".
- 2 WIRE INSULATION DIA .105-.140 .
- 3 MATERIAL THK IS .031±.002
- △ 4 SELECTIVE GOLD PLATE IN WIRE BARREL AND CONTACT AREA

5000	RED, PVC	COPPER, TIN	TAPE MOUNTED	66023-4
500	RED, PVC	COPPER, GOLD △ 4	LOOSE PIECES	66023-3
500	RED, PVC	COPPER, TIN	LOOSE PIECES	66023-2
QTY	SLEEVE	MATERIAL & FINISH	PACKAGING TYPE	PART NO.

THIS DRAWING IS A CONTROLLED DOCUMENT.		DWN JR RUTH 10SEP2002	Tyco Electronics Corporation Harrisburg, PA 17105		
DIMENSIONS: INCHES		CHK T MICHELUTTI 10SEP02			
		APVD T MICHELUTTI 10SEP02	PRODUCT SPEC -		
TOLERANCES UNLESS OTHERWISE SPECIFIED:		APPLICATION SPEC -		RESTRICTED TO -	
MATERIAL SEE TABLE		WEIGHT -		SIZE A3	
FINISH SEE TABLE		CUSTOMER DRAWING		CAGE CODE 00779	
		DRAWING NO C-66023		SCALE 8:1	
				SHEET 1 OF 1	
				REV K	