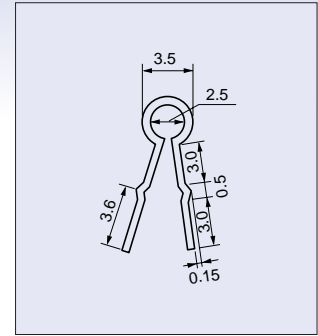


LC Series / Test Pin for Oscilloscope

Test Pin for Oscilloscope [LC-1-G • LC-1-S] (1000/pack)

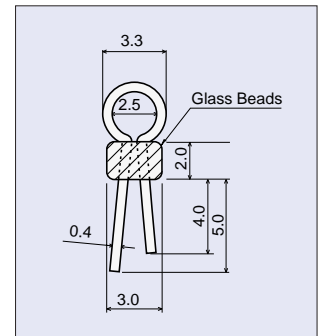
Can hook oscilloscope probe
 Can be fixed at protrusion level.
 To make the height lower, the PCB TH should be at least 1.4
 Material.....Phosphor Bronze 0.5
 Finish.....LC-1-GPlated Au over Ni base
 LC-1-SPlated Sn over Ni base
 PCB TH Diameter.....1.2
 Operating Temperature..... - 40 ~ + 150°C



Test Point for Oscilloscope [LC-2-G • LC-2-S] (1000/pack)

PAT

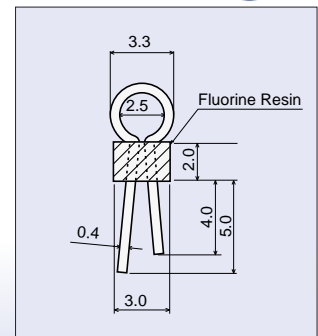
Can hook oscilloscope probe
 Can distinguish each signal line by using different colors
 Material.....Phosphor Bronze 0.4 & Glass Beads
 Finish.....LC-2-GPlated Au over Ni base
 LC-2-SPlated Sn over Ni base
 PCB TH Diameter.....1.0
 Operating Temperature..... - 40 ~ + 150°C
 Color.....Black, Lightgreen, Green, Skyblue, Purple, White



Test Point for Oscilloscope [LC-22-G • LC-22-S] (1000/pack)

PAT

Material...Metal...Phosphor Bronze 0.4
 Plastic Part...Fluorine Resin(UL94V-0)
 Finish..... LC-22-G.....Plated Au over Ni base
 LC-22-SPlated Sn over Ni base
 PCB TH Diameter.....1.0
 Operating Temperature..... - 40 ~ + 150°C
 Color.....Brown, Red, Orange, Yellow



MAC8

No.1 distributor of MAC8

SHINDENKIZAI Co., LTD.

Contact
 e-mail: sdk@mac8sdk.co.jp FAX: +81-3-3253-5965

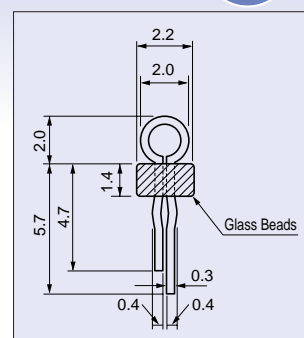
http://www.mac8sdk.co.jp/index_e.html

LC Series / Test Pin for Oscilloscope

Test Pin for Oscilloscope [LC-3-G • LC-3-S] (1000/pack)

PAT

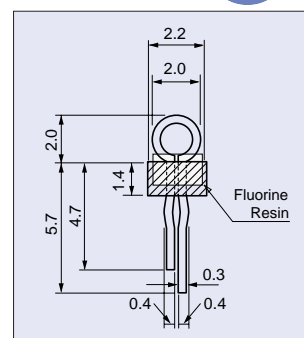
Can hook oscilloscope probe
 Pitch Distance: 2.54mm
 Can distinguish each signal line by using different colors
 Material.....Phosphor Bronze 0.3 and Glass Beads
 Finish.....LC-3-GPlated Au over Ni base
 LC-3-SPlated Sn over Ni base
 PCB TH Diameter.....0.8
 Operating Temperature... - 40 ~ + 150°C
 Color.....Black, Light Green, Green, Sky Blue, Purple, White



Test Pin for Oscilloscope [LC-33-G • LC-33-S] (1000/pack)

PAT

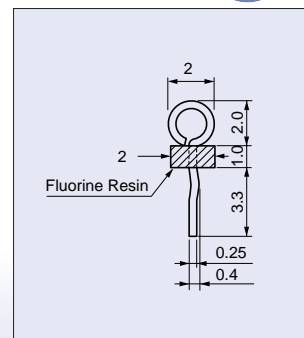
Can hook oscilloscope probe
 Material...Metal part...Phosphor Bronze 0.3
 Plastic part...Fluorine Resin(UL94V-0)
 Finish..... LC-33-G.....Plated Au over Ni base
 LC-33-SPlated Sn over Ni base
 PCB TH Diameter.....0.8
 Operating Temperature..... - 40 ~ + 150°C
 Color...Brown, Red, Orange, Yellow



Test Pin for Oscilloscope [LC-4-G • LC-4-S] (1000/pack)

PAT

Can hook oscilloscope probe
 Material...Metal part...Phosphor Bronze 0.25
 Plastic part...Fluorine Resin(UL94V-0)
 Finish..... LC-4-G.....Plated Au over Ni base
 LC-4-SPlated Sn over Ni base
 PCB TH Diameter.....0.3 ~ 0.4
 Operating Temperature..... - 40 ~ + 150°C
 Color.....Red, Yellow, Blue, White, Black



MAC8

No.1 distributor of MAC8

SHINDENKIZAI Co., LTD.

Contact

e-mail: sdk@mac8sdk.co.jp FAX: +81-3-3253-5965

http://www.mac8sdk.co.jp/index_e.html