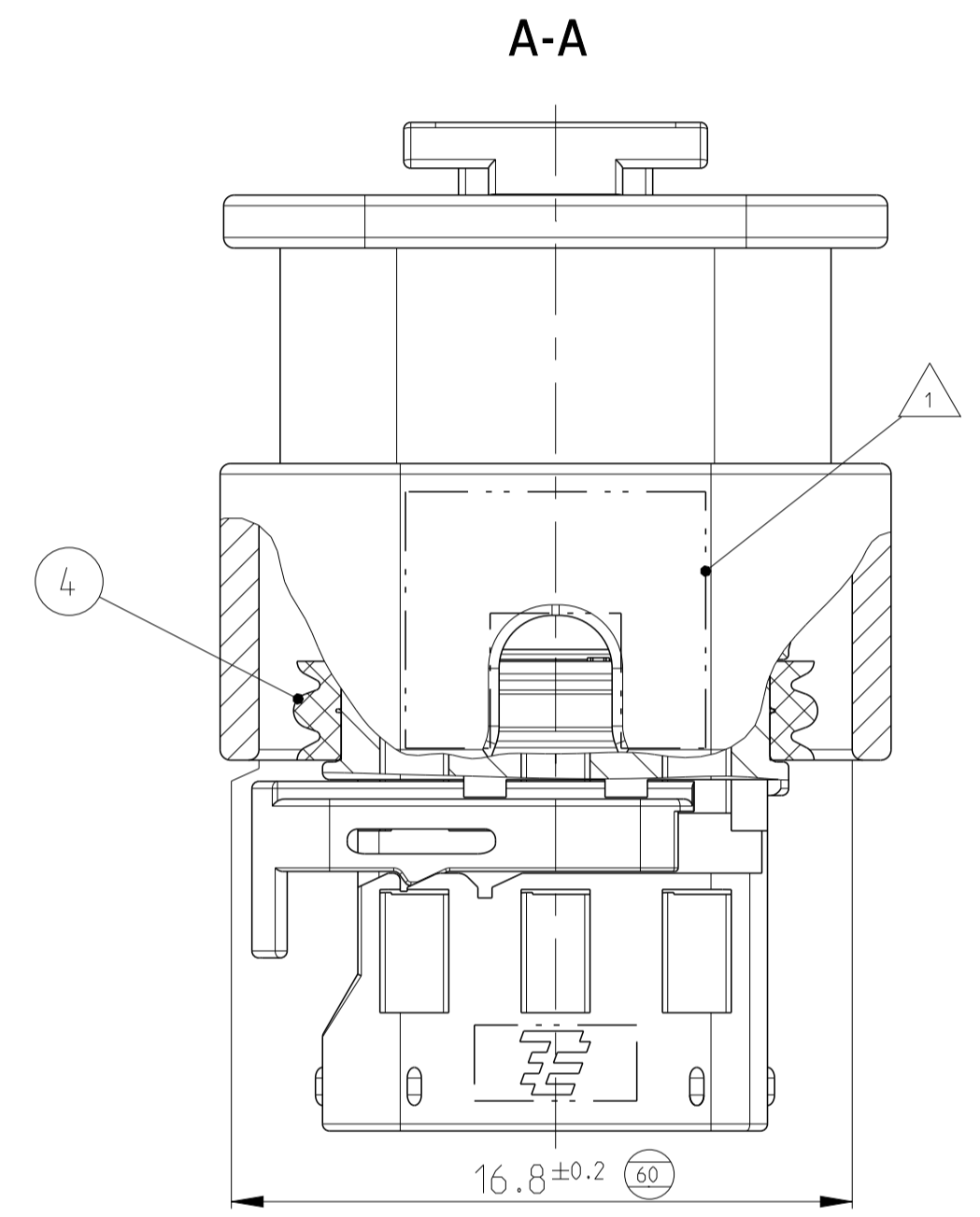
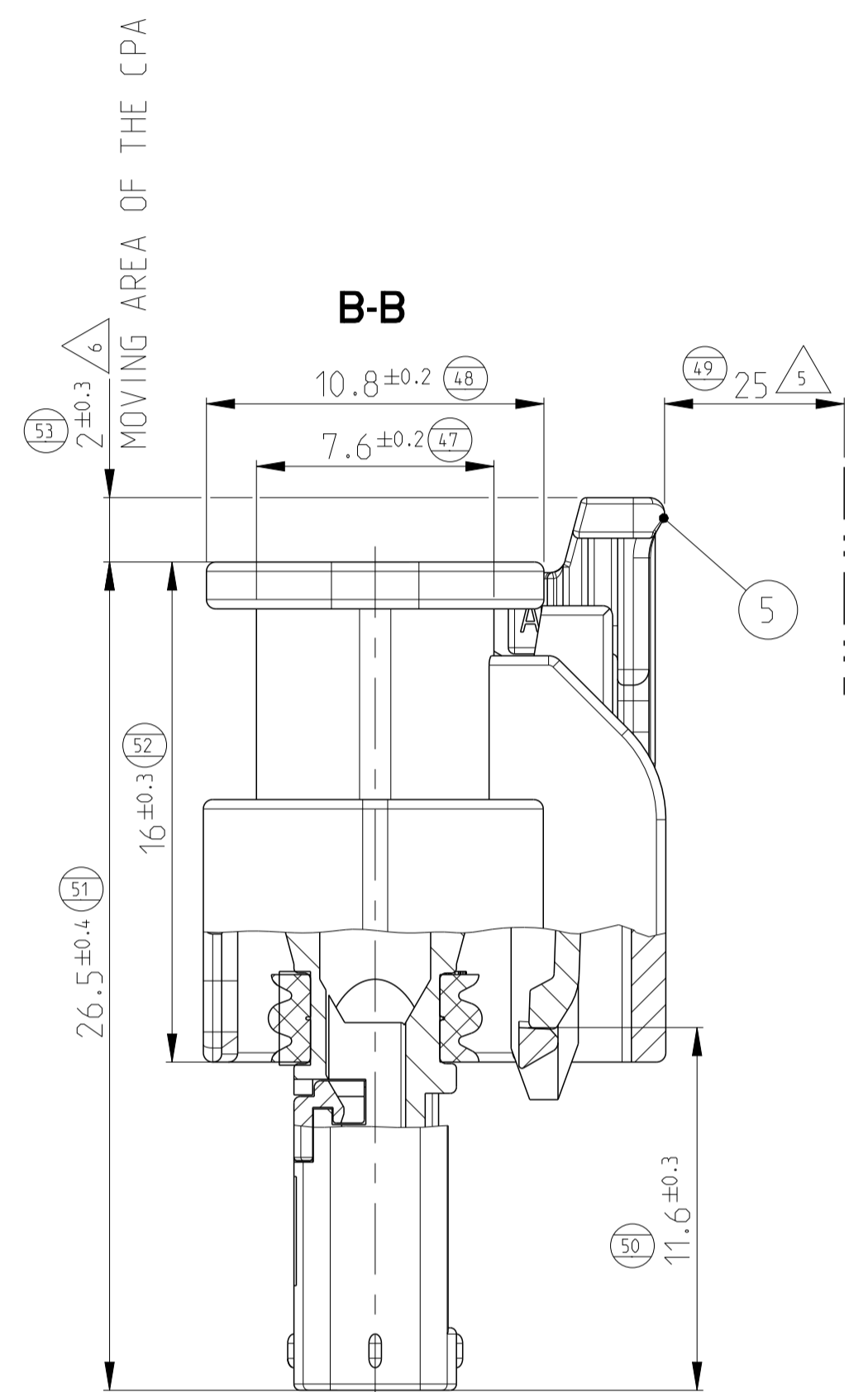
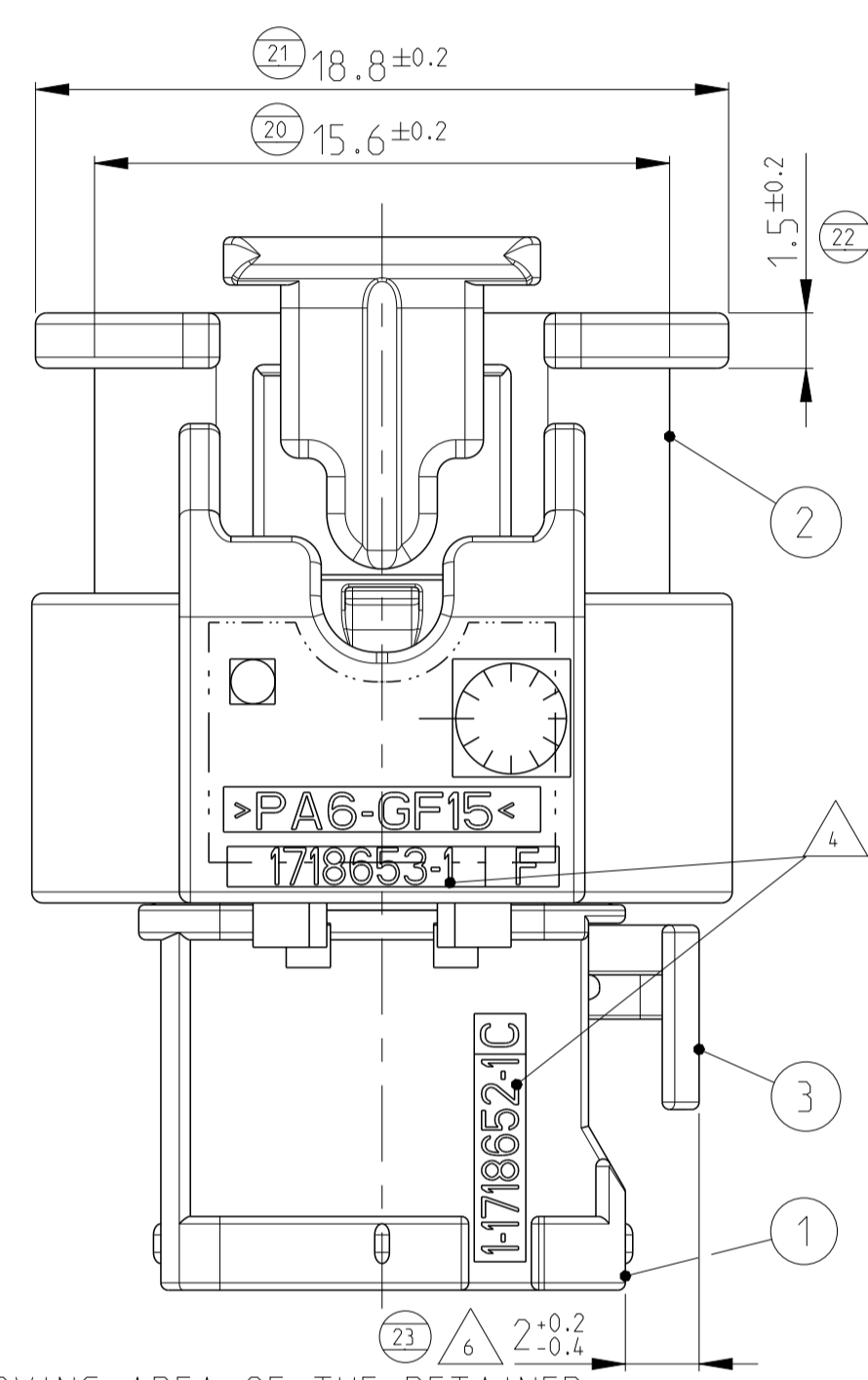
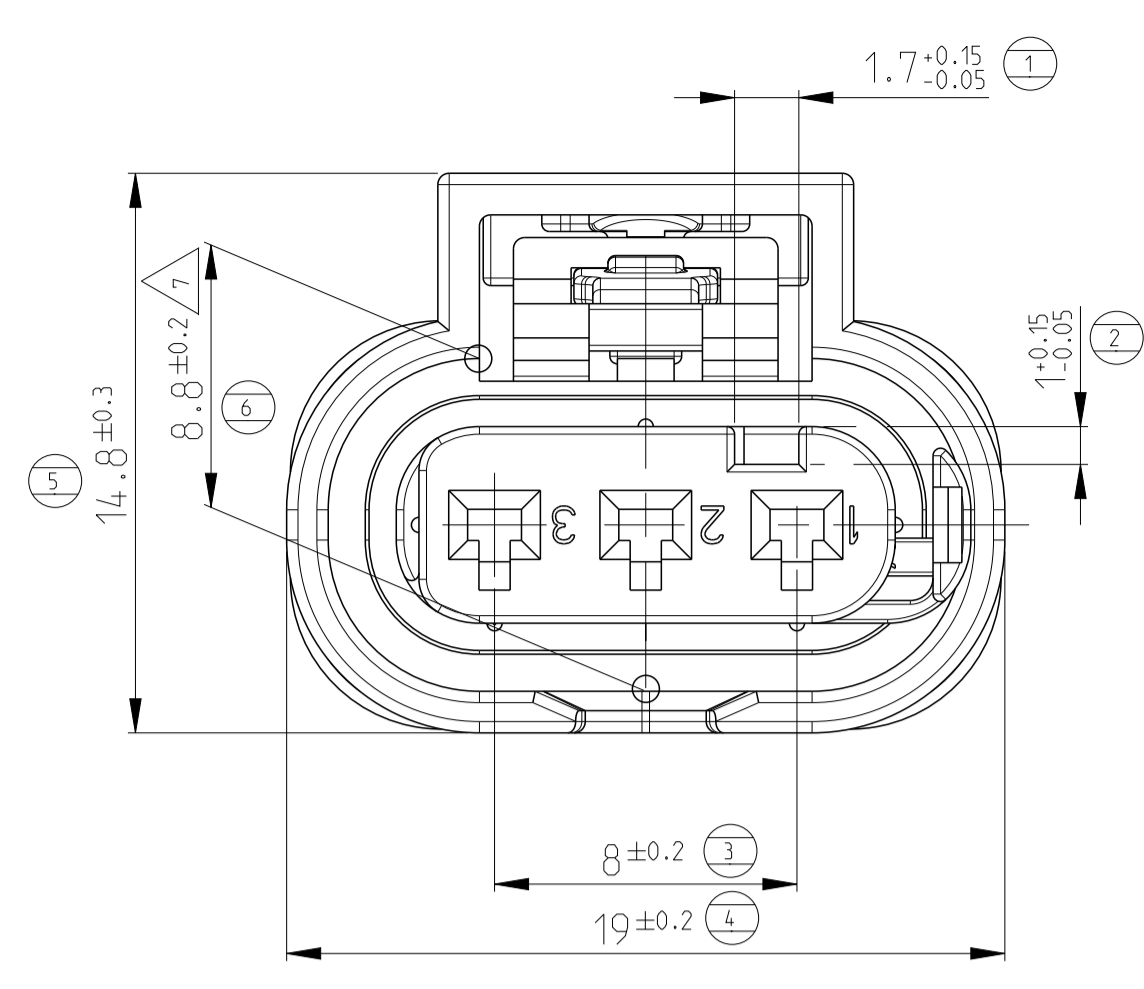
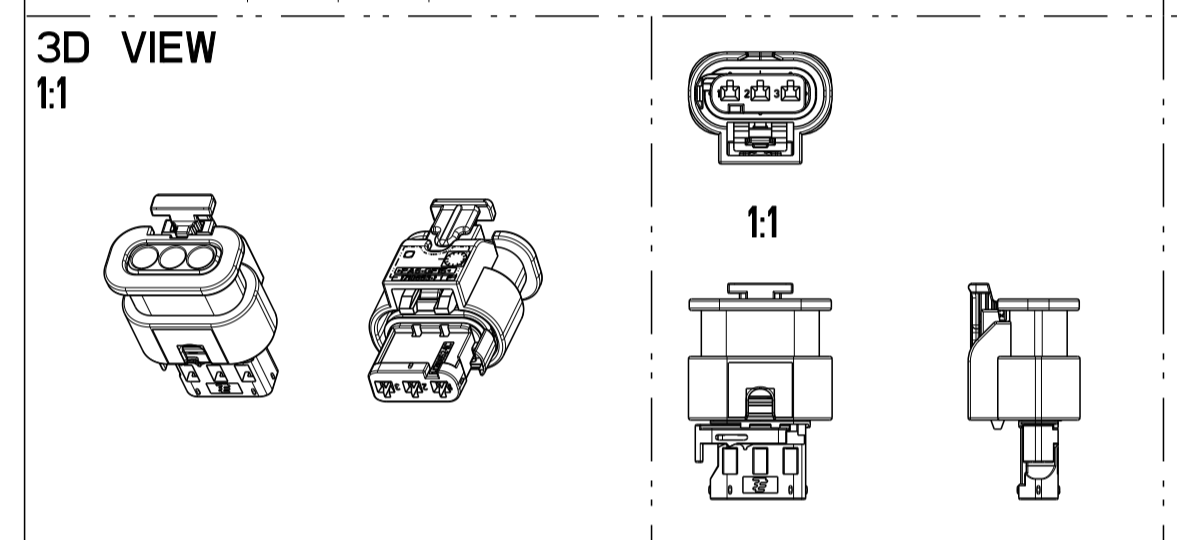
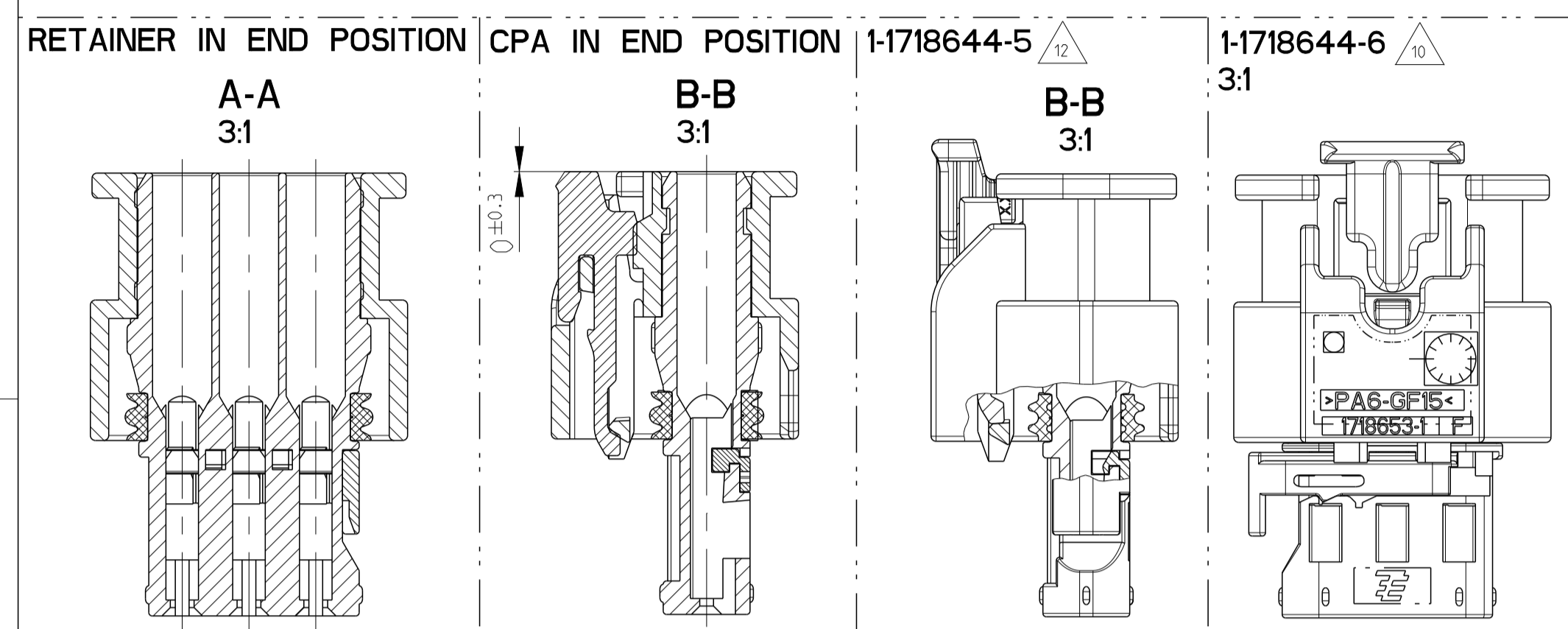
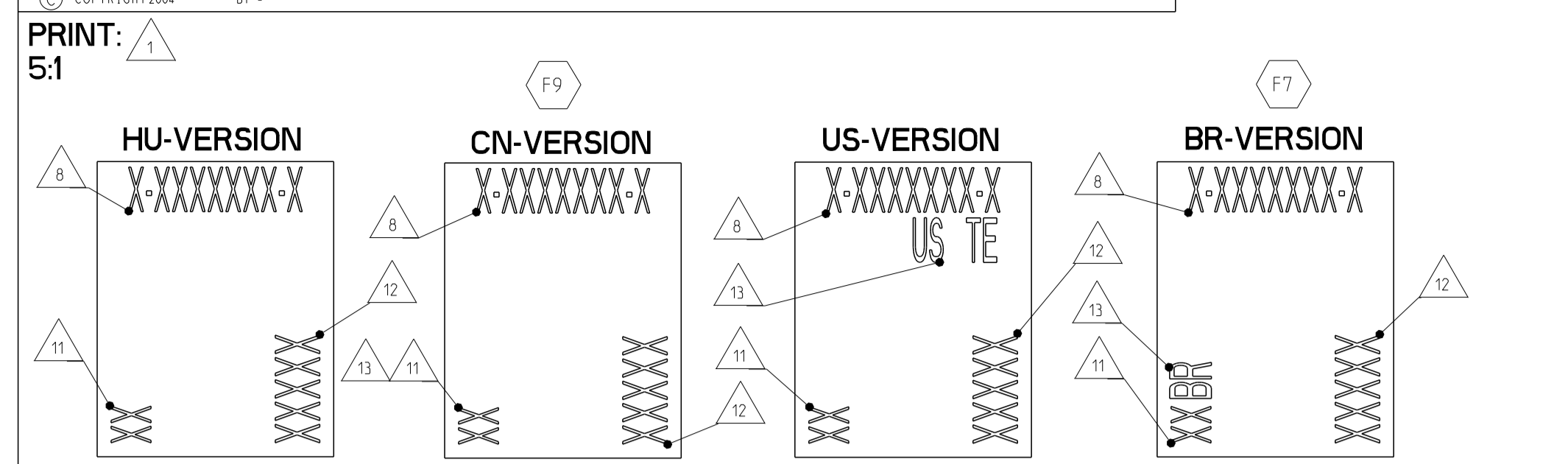


LOC		DIST		REVISIONS			
P	LTN	DESCRIPTION	DATE	DMN	APVD		
F7		LASER PRINT UPDATED WITH BR VERSION	06NOV2018	SZN	LSZ		
F8		NEW VERSION ADDED	03MAY2019	SZN	LSZ		
F9		LASER PRINT UPDATED WITH CN LOCATION	06AUG2019	SZN	LSZ		
F10		BOTTOM VIEW ADDED FOR CODING D	25MAR2020	SZN	LSZ		



TE-ORDER NO.	COD	DESCRIPTION	REV	QTY	DESCRIPTION	MATERIAL	SURFACE/COLOUR	ITEM	VAR						
1-1718644-6	A	3pos. MCON 1.2 - LL Connector Sealed	F	1	MCON 1.2 - CPA	PA46-GF15	GRAY SIML. RAL 7037	5	III						
					3pos. MCON 1.2 - Seal	MVQ	NATURE	4							
					3pos. MCON 1.2 - Retainer	PA66-GF15	VIOLETT SIML. RAL 4006	3							
					3pos. MCON 1.2 - Protection Cover	PA6-GF15	BLACK SIML. RAL 9011	2							
					3pos. MCON 1.2 - Recepticle Hsg.	PA66-GF30	BLACK SIML. RAL 9011	1							
					2-1718644-5	B	3pos. MCON 1.2 - LL Connector Sealed	A		1	MCON 1.2 - CPA	PA46-GF15	GRAY SIML. RAL 7037	5	II
											3pos. MCON 1.2 - Seal	MVQ	GREEN	4	
											3pos. MCON 1.2 - Retainer	PA66-GF15	VIOLETT SIML. RAL 4006	3	
											3pos. MCON 1.2 - Protection Cover	PA46	BLACK SIML. RAL 9011	2	
											3pos. MCON 1.2 - Recepticle Hsg.	PA66-GF30	NATURE	1	
1-1718644-5	A	3pos. MCON 1.2 - LL Connector Sealed	D	1					MCON 1.2 - CPA		PA46-GF15	GRAY SIML. RAL 7037	5	I	
									3pos. MCON 1.2 - Seal		MVQ	GREEN	4		
									3pos. MCON 1.2 - Retainer		PA66-GF15	VIOLETT SIML. RAL 4006	3		
									3pos. MCON 1.2 - Protection Cover		PA46	BLACK SIML. RAL 9011	2		
									3pos. MCON 1.2 - Recepticle Hsg.		PA66-GF30	BLACK SIML. RAL 9011	1		
					4-1718644-1	D	3pos. MCON 1.2 - LL Connector Sealed	A	1	MCON 1.2 - CPA	PA46-GF15	GRAY SIML. RAL 7037	5		I
										3pos. MCON 1.2 - Seal	MVQ	NATURE	4		
										3pos. MCON 1.2 - Retainer	PA66-GF15	VIOLETT SIML. RAL 4006	3		
										3pos. MCON 1.2 - Protection Cover	PA6-GF15	BLACK SIML. RAL 9011	2		
										3pos. MCON 1.2 - Recepticle Hsg.	PA66-GF30	VIOLETT SIML. RAL 4006	1		
3-1718644-1	C	3pos. MCON 1.2 - LL Connector Sealed	F	1						MCON 1.2 - CPA	PA46-GF15	GRAY SIML. RAL 7037	5	I	
										3pos. MCON 1.2 - Seal	MVQ	NATURE	4		
										3pos. MCON 1.2 - Retainer	PA66-GF15	VIOLETT SIML. RAL 4006	3		
										3pos. MCON 1.2 - Protection Cover	PA6-GF15	BLACK SIML. RAL 9011	2		
										3pos. MCON 1.2 - Recepticle Hsg.	PA66-GF30	BLUE SIML. RAL 5012	1		
					2-1718644-1	B	3pos. MCON 1.2 - LL Connector Sealed	F	1	MCON 1.2 - CPA	PA46-GF15	GRAY SIML. RAL 7037	5		I
										3pos. MCON 1.2 - Seal	MVQ	NATURE	4		
										3pos. MCON 1.2 - Retainer	PA66-GF15	VIOLETT SIML. RAL 4006	3		
										3pos. MCON 1.2 - Protection Cover	PA6-GF15	BLACK SIML. RAL 9011	2		
										3pos. MCON 1.2 - Recepticle Hsg.	PA66-GF30	NATURE	1		
1-1718644-1	A	3pos. MCON 1.2 - LL Connector Sealed	F	1						MCON 1.2 - CPA	PA46-GF15	GRAY SIML. RAL 7037	5	I	
										3pos. MCON 1.2 - Seal	MVQ	NATURE	4		
										3pos. MCON 1.2 - Retainer	PA66-GF15	VIOLETT SIML. RAL 4006	3		
										3pos. MCON 1.2 - Protection Cover	PA6-GF15	BLACK SIML. RAL 9011	2		
										3pos. MCON 1.2 - Recepticle Hsg.	PA66-GF30	BLACK SIML. RAL 9011	1		

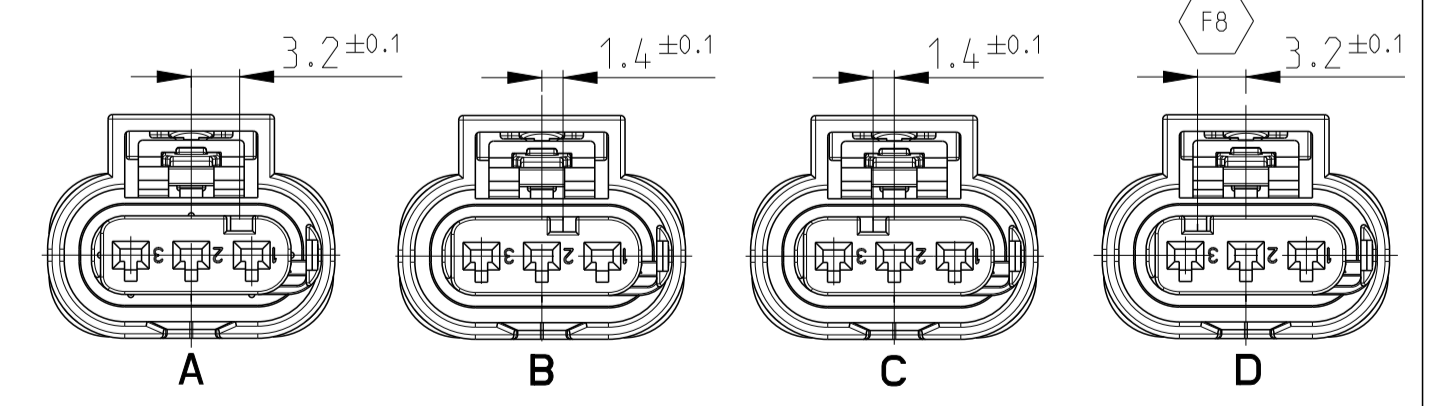
MOVING AREA OF THE RETAINER

NOTES:

- 1 AREA FOR PRINT
- 2 USABLE CONTACTS MCON 1.2 LL SEE TE-NO. 1452674
- 3 MAX. WIRE SIZE RANGE 1.0 mm² FLR PERMITTED FOR CAVITY-Ø 3.5MM QUANTITY SEE WIRE HARNESS DRAWING FOR PERMISSIBLE CURRENT CARRYING CAPACITY OF THE SINGLE CONTACT SEE PRODUCT SPECIFICATION NO.108-18782
- 4 SUPPLIER-MARK
- 5 SPACE OF ACTIVITY
- 6 SUPPLY CONDITION: CPA AND RETAINER IN PRELOCKED POSITION
- 7 WARPAGE PERMITTED TO MAX. -0.5mm
- 8 TE ORDER-NO.
- 9 ACCORDING TO INTERFACE DRAWING SEE TE-NO. 114-18679-3
- 9 VAR II: TEMPERATURE RESISTANCE OF PLASTIC PARTS 150 °C
- 10 VAR III: VERSION WITH 180° TURNED REC. HSG
- 11 ASSEMBLY LINE SEGMENT IDENTIFICATION
- 12 DATE CODE (DDYY)
- 13 DIVERGENT MARKING FOR PARTS FROM CHINESE, BRASIL AND U.S. PRODUCTION

CODING A AS SHOWN

CODINGS M 21



THIS DRAWING IS A CONTROLLED DOCUMENT.		DMN	18012004	PRODUCT CHARACTERISTICS ACC. QMP EMEA-12	
DIMENSIONS: mm		CHK	A. Schroebel	BESONDERE MERKMALE NACH QMP EMEA-12	
TOLERANCES UNLESS OTHERWISE SPECIFIED		APVD	J. Woller	NAME	
0 PLC ±		SIZE	108-18969	3pos. MCON 1.2 - LL Connector, Sealed	
1 PLC ±		APPLICATION SPEC	114-18861	CAGE CODE DRAWING NO	
2 PLC ±		WEIGHT	3 g	A1 00779	
3 PLC ±		CUSTOMER DRAWING		SCALE 5:1 SHEET 1 OF 1	
MATERIAL		FINISH		REV: F10	

Mouser Electronics

Authorized Distributor

Click to View Pricing, Inventory, Delivery & Lifecycle Information:

[TE Connectivity:](#)

[1-1718644-1](#)