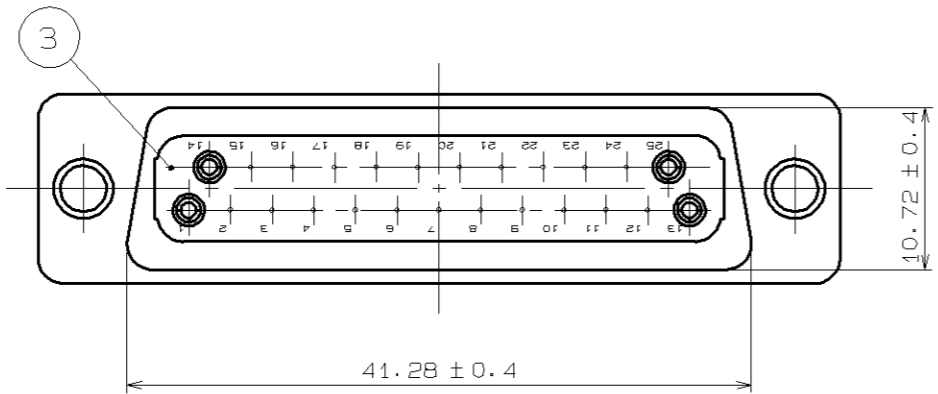
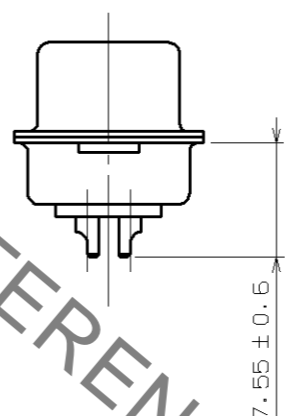
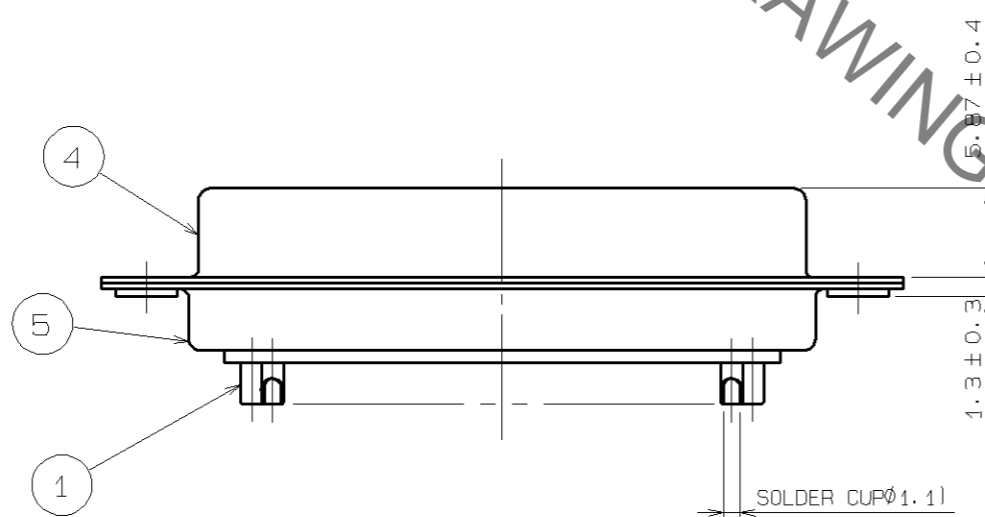
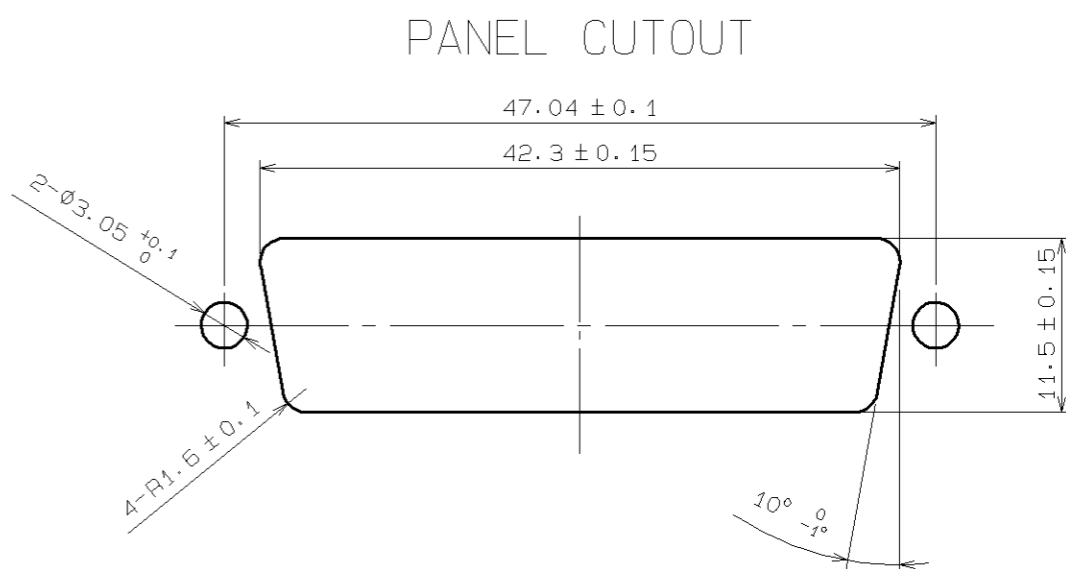
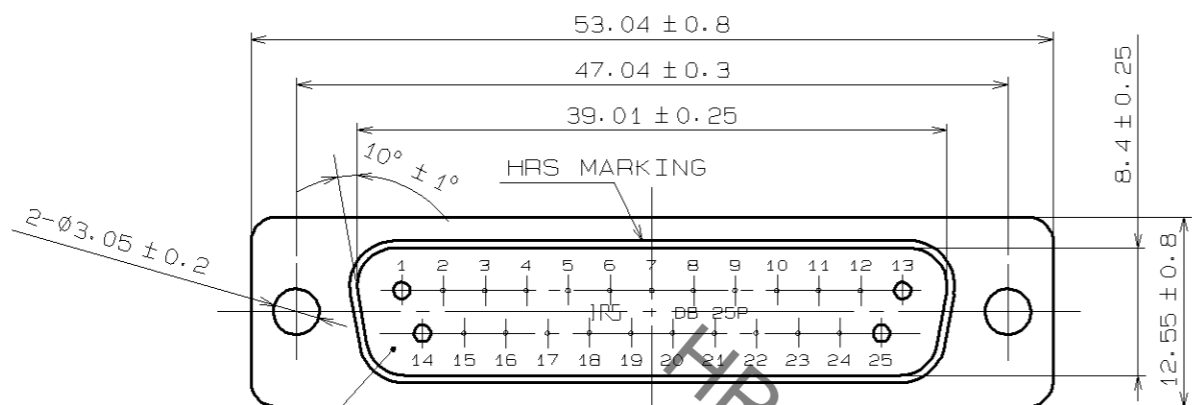


Jan.1.2022 Copyright 2022 HIROSE ELECTRIC CO., LTD. All Rights Reserved.
 In case of consideration for using Automotive equipment / device which demand high reliability, kindly contact our sales window correspondents.



HRS DRAWING FOR REFERENCE

NOTE 1. SOLDERING SHALL BE DOWN WITH SOLDERING BIT OF 40W MAX WITHIN 4s.
 2 CONTACT AREA: GOLD PLATING 0.2µm MIN
 TERMINAL AREA: GOLD PLATING 0.03µm MIN
 UNDERPLATING: NICKEL PLATING 1µm MIN

NO.	MATERIAL	FINISH. REMARKS	NO.	MATERIAL	FINISH. REMARKS
3	PBT	UL94V-0 BLACK	5	STEEL	NICKEL PLATING 2µm
2	PBT	UL94V-0 BLACK	4	STEEL	NICKEL PLATING 2µm
1	PHOSPHOR BRONZE	2			

UNITS	SYMBOLS	SCALE	COUNT	DESCRIPTION OF REVISIONS	DESIGNED	CHECKED	DATE
mm	⊕ ◻	2 : 1	△				
APPROVED : HO.MIWA				06.07.26	DRAWING NO. EDC3-009499-02		
CHECKED : HO.MIWA				06.07.26	PART NO. HDBB-25P(05)		
DESIGNED : YH.ENAMI				06.07.26	CODE NO. CL211-0215-7-05		
DRAWN : YH.ENAMI				06.07.26			

Mouser Electronics

Authorized Distributor

Click to View Pricing, Inventory, Delivery & Lifecycle Information:

[Hirose Electric:](#)

[HDBB-25P\(05\)](#)