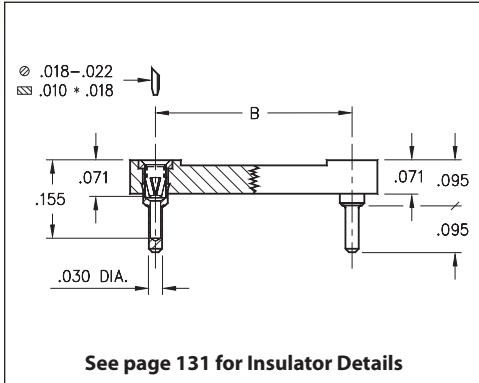
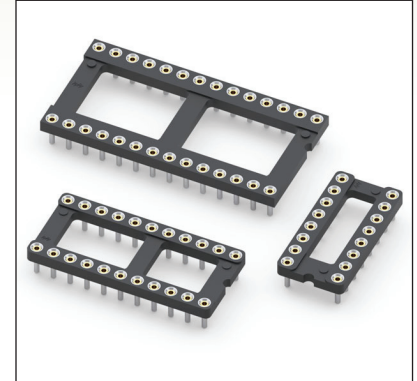


DUAL-IN-LINE SOCKETS

SERIES 115...003 • ULTRA LOW PROFILE • OPEN FRAME



- Our lowest profile DIP socket with an above PCB height of only .095"
- Special short Hi-Rel, 4-finger BeCu #12 contact is rated at 3 amps. See page 252 for details
- Series 115 uses MM #1534 pins. See page 161 for details
- Insulators are high temperature thermoplastic, suitable for all soldering operations
- For Electrical, Mechanical and Environmental Data, see page 264 for details



Total number of pins				Quantity per tube	<h3>ORDERING INFORMATION</h3>							
	A	B	C									
6	0.3	0.3	0.4	68	115-XX-306-41-003000							
8	0.4	0.3	0.4	50	115-XX-308-41-003000							
14	0.7	0.3	0.4	28	115-XX-314-41-003000							
16	0.8	0.3	0.4	25	115-XX-316-41-003000							
18	0.9	0.3	0.4	22	115-XX-318-41-003000							
20	1.0	0.3	0.4	20	115-XX-320-41-003000							
22	1.1	0.3	0.4	18	115-XX-322-41-003000							
24	1.2	0.3	0.4	16	115-XX-324-41-003000							
28	1.4	0.3	0.4	14	115-XX-328-41-003000							
20	1.0	0.4	0.5	20	115-XX-420-41-003000							
22	1.1	0.4	0.5	18	115-XX-422-41-003000							
24	1.2	0.4	0.5	16	115-XX-424-41-003000							
28	1.4	0.4	0.5	14	115-XX-428-41-003000							
24	1.2	0.6	0.7	16	115-XX-624-41-003000							
28	1.4	0.6	0.7	14	115-XX-628-41-003000							
32	1.6	0.6	0.7	12	115-XX-632-41-003000							
36	1.8	0.6	0.7	11	115-XX-636-41-003000							
40	2.0	0.6	0.7	10	115-XX-640-41-003000							
48	2.4	0.6	0.7	8	115-XX-648-41-003000							
50	2.5	0.6	0.7	8	115-XX-650-41-003000							

XX=Plating Code
See Below

RoHS-2
2011/65/EU

SPECIFY PLATING CODE XX =	91	93	41	43	44	47
Sleeve (Pin)	200 μ" Sn/Pb	200 μ" Sn/Pb	200 μ" Sn	200 μ" Sn	200 μ" Sn	200 μ" Sn
Contact (Clip)	10 μ" Au	30 μ" Au	10 μ" Au	30 μ" Au	100 μ" Sn	Au Flash



Mouser Electronics

Authorized Distributor

Click to View Pricing, Inventory, Delivery & Lifecycle Information:

Mill-Max:

[115-47-640-41-003000](#) [115-47-316-41-003000](#)