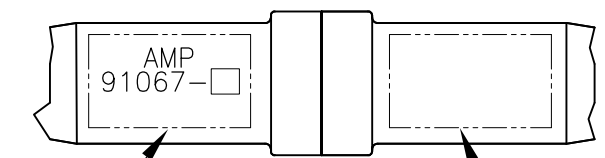
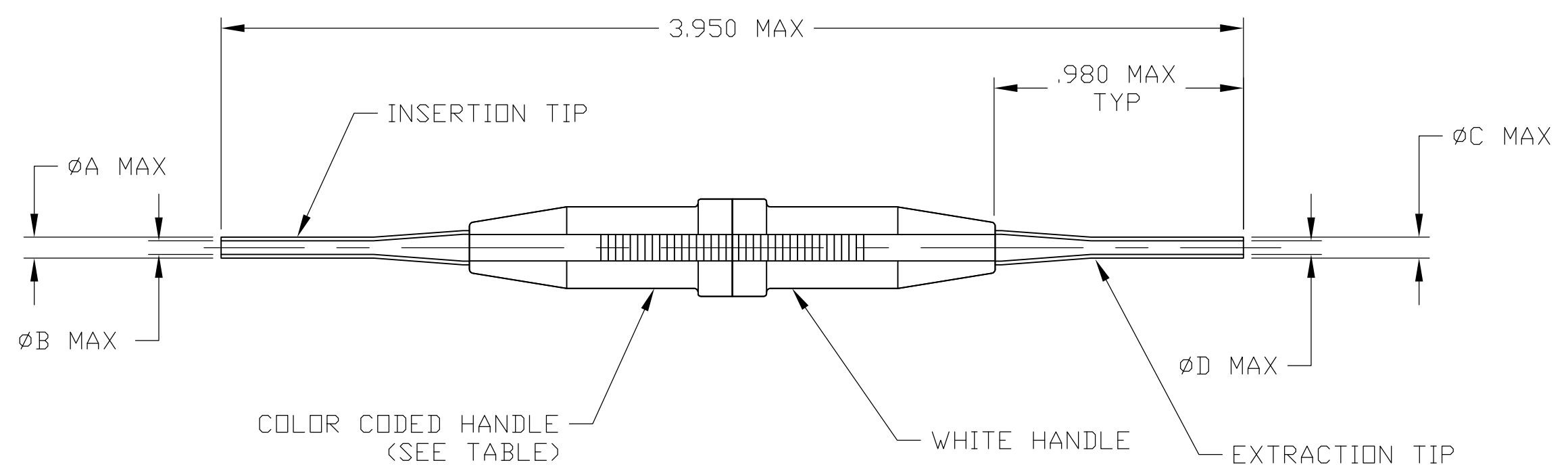


THIS DRAWING IS UNPUBLISHED. RELEASED FOR PUBLICATION N/A ,N/A .
 © COPYRIGHT N/A By - ALL RIGHTS RESERVED.

LOC	DIST	REVISIONS					
DF	AO	P	LTR	DESCRIPTION	DATE	DWN	APVD
		E1		REVISED PER ECO-11-005030	11MAR11	RK	HMR



MARKING IN APPROX. AREA AS SHOWN REF

M81969-SQ BLOCK SYMBOL

1. FOR CORRECT TOOL USAGE SEE INSTRUCTION SHEET: I. S. 408-7508

M81969/1-02	.072	.087	.072	.085	RED	20	91067-2
M81969/1-04	.053	.065	.056	.065	GREEN	22	91067-1
MILITARY PART NO. REF	DIM D	DIM C	DIM B	DIM A	COLOR CODE	SIZE	PART NUMBER

THIS DRAWING IS A CONTROLLED DOCUMENT.

DIMENSIONS: INCHES		TOLERANCES UNLESS OTHERWISE SPECIFIED:	
		0 PLC	± -
		1 PLC	± -
		2 PLC	± -
		3 PLC	± -
		4 PLC	± -
MATERIAL: PLASTIC & STEEL		FINISH: NICKEL PLATED	

DWN	C.C.THOMAS	08AUG2002
CHK	S.GLATFELTER	8-12-02
APVD	S.GLATFELTER	8-12-02
PRODUCT SPEC	-	
APPLICATION SPEC	-	
WEIGHT	-	

STE TE Connectivity

NAME: INSERTION/EXTRACTION TOOL

SIZE	CAGE CODE	DRAWING NO	RESTRICTED TO
A3	00779	C-91067	-

CUSTOMER DRAWING SCALE: 2:1 SHEET: 1 OF 1 REV: E1

Mouser Electronics

Authorized Distributor

Click to View Pricing, Inventory, Delivery & Lifecycle Information:

[TE Connectivity:](#)

[M81969/1-02](#)