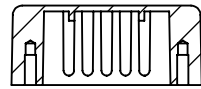


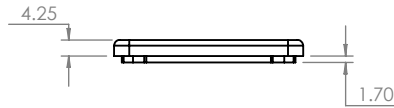
OVERALL ASSEMBLY DIMENSIONS:

EXTERNAL -  $\pm 0.8$  - 101 x 50 x 24.5

INTERNAL -  $\pm 0.8$  - 97.4 x 46.4 x 20.3



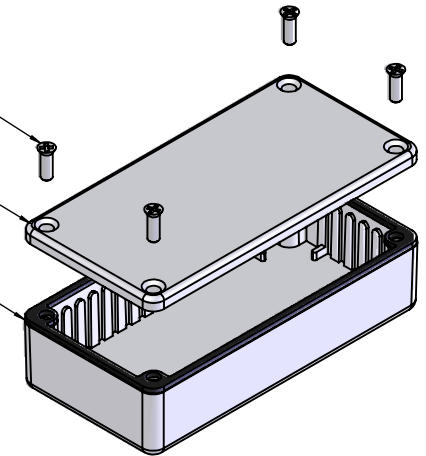
SECTION B-B



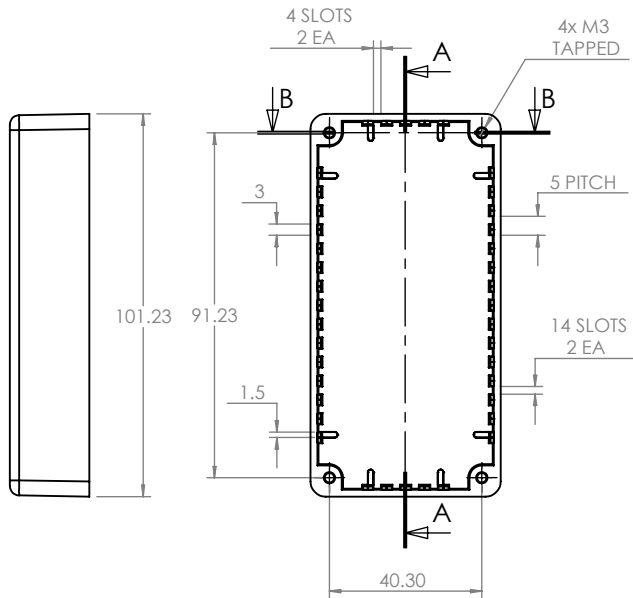
M3 CSK SCREW

LID

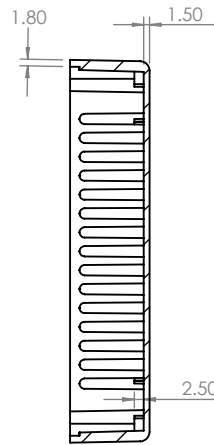
BASE



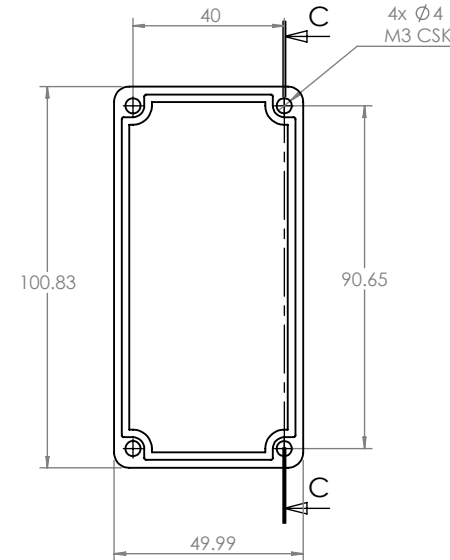
ISO VIEW



BASE



SECTION A-A



SECTION C-C

LID

<p>CAMDENBOSS ELECTRONICS &amp; ENCLOSURES</p> <p>JAMES CARTER RD. MILDENHALL, SUFFOLK, IP28 7DE TEL: 01 638 716101 FAX: 01 638 716554 EMAIL: Sales@CamdenBoss.com WEB: www.CamdenBoss.com</p>				UNLESS OTHERWISE SPECIFIED: DIMENSIONS ARE IN MILLIMETERS		DO NOT SCALE DRAWING		REVISION. 0	
				FINISH. <b>SMOOTH</b>		TITLE: <b>ASSEMBLY DRG FOR 5002/12</b>			
DRAWN S.HARDINGE		SIGNED SJH	DATE 06/12/05	MATERIAL. DIE-CAST ALUMINIUM		DWG NO. <b>5002,12</b>		A4	
CHKD -		-	-	PROJECTION. 		SCALE: 1 : 2		SHEET 1 OF 1	