

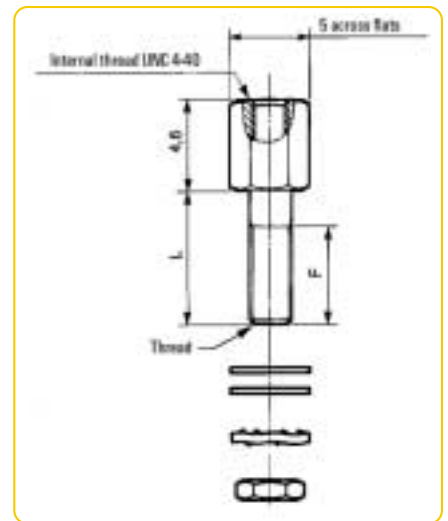
PCB and Cable applications

12 • Female screw locks

Part numbers	Thread	L Max.	F	Material
863001TLF	M3	8.30	6.90	Brass
86552153TLF	M3	8.30	6.90	Steel
863001017TLF	M3	6.30	5.00	Brass
863001061TLF	M3	13.00	12.00	Brass
863001060TLF	UNC 4-40	8.30	6.90	Brass

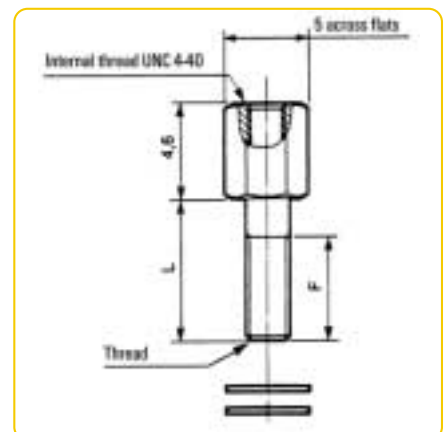
Plating: bright tin

Corrosion resistance: 50 hours exposure to salt spray



13 • Specific female screw locks for Delta D series

Part numbers	Thread	L Max.	F	Material
863001018TLF	M3	4.5	3.7	Steel
863001019TLF	UNC 4.40	4.5	3.7	Steel



TORQUE FORCE

Material	Torque Max. (Nm)
Brass	0.5
Steel	0.7

14 • Male screw locks

Shell size	Connector type	Part numbers	
E	Male	863005ATLF	863009ATLF
	Female		
A	Male	863005ATLF	863004ATLF
	Female		
B	Male	863005ATLF	863009ATLF
	Female		
C	Male	863008ATLF	863002ATLF
	Female	863005ATLF	
D	Male	863015ATLF	863025ATLF
	Female	863003ATLF	

For use with connector without hood or with hood 7
For use with connector with hoods 10
For use with connector with hood 8

Material: steel

Plating: bright tin

Corrosion resistance: 50 hours exposure to salt spray

To obtain military plating (yellow chromate cadmium) exclude «TLF» in the part number (ex: 863005A)

Thread: UNC 4-40

