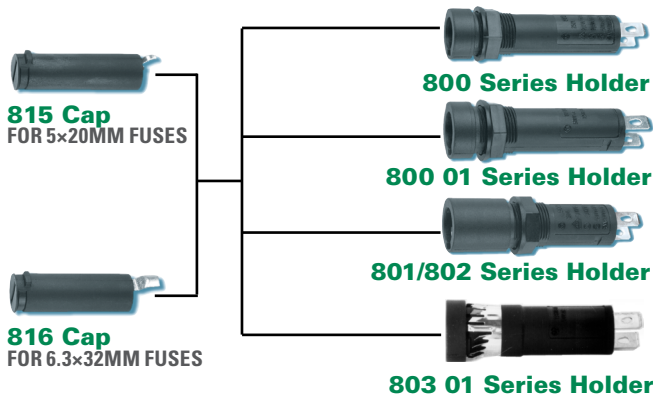


800/801/802/803 Series Panel Mount Enclosed Fuse Holders



Product Characteristics

Series:	800	800 01	801/802	803 01
Compatible Fuses	5x20mm 6.3x32mm	6.3x32mm	5x20mm 6.3x32mm	6.3x32mm
Materials	Holder/Cap: Black Thermoplastic Polyamide PA 6.6, UL94 V-0			
				Clamp spring: non-corrosion metal, untreated
	Metal Parts: Copper alloy, corrosion protected			
Electrical Data (23°C)	Terminals: Solderable, tinned			
	Rated Voltage: 250V	Rated Voltage: 500V	Rated Voltage: 250V	Rated Voltage: 500V
	Rated Current: 6.3A (800+815 - VDE/SEMKO) 10A (800+816 - VDE/SEMKO) 16A (UL/CSA)	Rated Current: 10A (800+816 - VDE/SEMKO) 16A (UL/CSA)	Rated Current: 6.3 A (VDE/SEMKO) with cap 815 10 A (VDE/SEMKO) with cap 816	Rated Current: 10 A (VDE/SEMKO) 16 A (UL/CSA)
	Rated Power: 2.5W (VDE/SEMKO)			Rated Power: 4W (VDE/SEMKO)
	Mounting			12.7mm diameter D-hole or double D-hole Admissible torque on plastic hex nut is 1.2Nm
Terminals	Solderable or 4.8mm quick connect-fits 0.5mm tab			
Protection Category	IP 40 (IEC 60529) PC2 (IEC 60127-6)			
Operating Temperature	-25°C to +70°C (consider de-rating)			
Climatic Test	-25°C/+70°C/21 days (IEC 60068-2-1...3)			
Stock Conditions	+10°C to +60°C relative humidity ≤ 75% yearly average, without dew, maximum value for 30 days - 95%			
Vibration Resistance	24 cycles at 15 min. each (IEC 60068-2-6) 10 - 60Hz at 0.75mm amplitude 60 - 2000Hz at 10g acceleration			
Contact Resistance	≤ 5mΩ			
Dielectric Strength	> 1.5 kV			
Impulse Voltage	4 kV, 50 Hz, 1 min., dry			
Insulation Resistance	> 10 ⁹ MΩ (500 VDC, 1 min.)			
Solderability	235°C, 3 sec. (Wave) 350°C, 1 sec. (Soldering Iron)	235°C, 2 sec. (Wave) 350°C, 1 sec. (Manual)	235°C, 3 sec. (Wave) 350°C, 3 sec. (Soldering Iron)	
	Solder Heat Resistance 260°C, 5 sec. (IEC 60068-2-20)			
Min. Cross Section	Conductor - 2.5mm ²			
Marking	800, 250V, Approvals	800 01, 500V, Approvals	Series, 250V, Approvals	803, 500V, Approvals
Unit Weight	4.7g (Holder) 2.5g (Cap)		5.0g (801/802) 2.5g (815/816)	4.9g (803) 2.0g (816)

Agency Approval

Agency	Agency File Number			
	122016	123336	120629	6914
	608496	608496	608497	608499
	E 70164	E 70164	E70164	E 70164
	47574	47574	47574	47574

Ordering Information

Holders	800 0000 000	800 0000 010	801 0000 000 802 0000 000	803 0000 010
Caps	For 5x20mm fuse: 815 0000 000 For 6.3x32mm fuse 816 0000 000			
Packaging	Bulk 100 Pcs all items listed above			

Additional Information



Datasheet 800 Series



Resources 800 Series



Samples 800 Series



Datasheet 801 Series



Resources 801 Series



Samples 801 Series



Datasheet 802 Series



Resources 802 Series



Samples 802 Series



Datasheet 803 Series



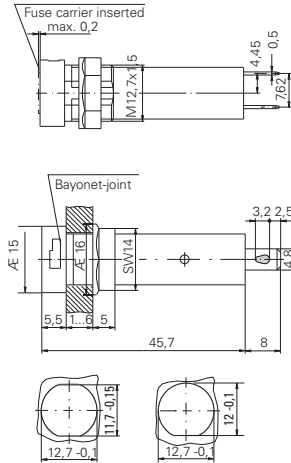
Resources 803 Series



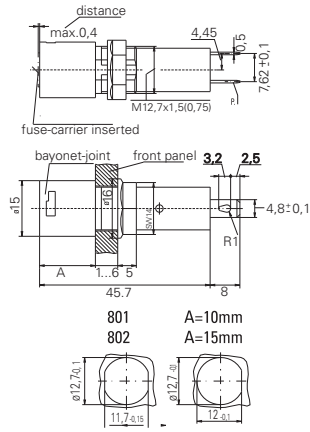
Samples 803 Series

Dimensions

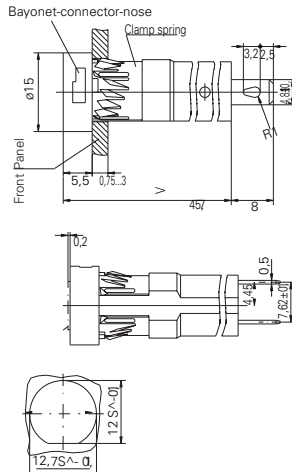
800 Series



801/802 Series



803 01 Series



815/816 Cap

