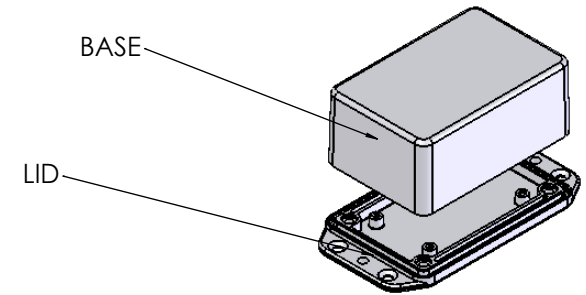


OVERALL ASSEMBLY DIMENSIONS:

EXTERNAL - 108 x 58 x 39.5

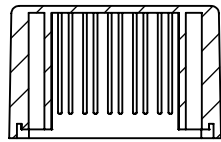
INTERNAL - 81.4 x 52.4 x 34.5



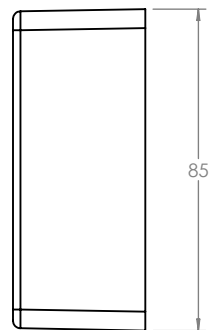
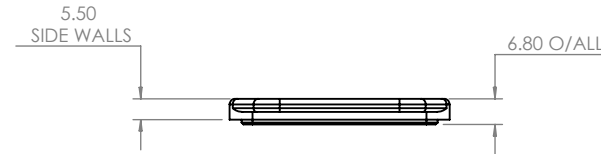
BASE

LID

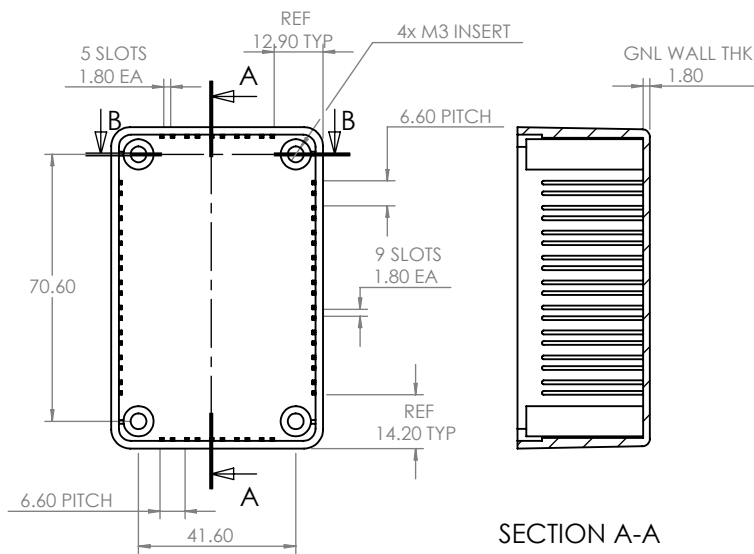
ISO VIEW  
1:3



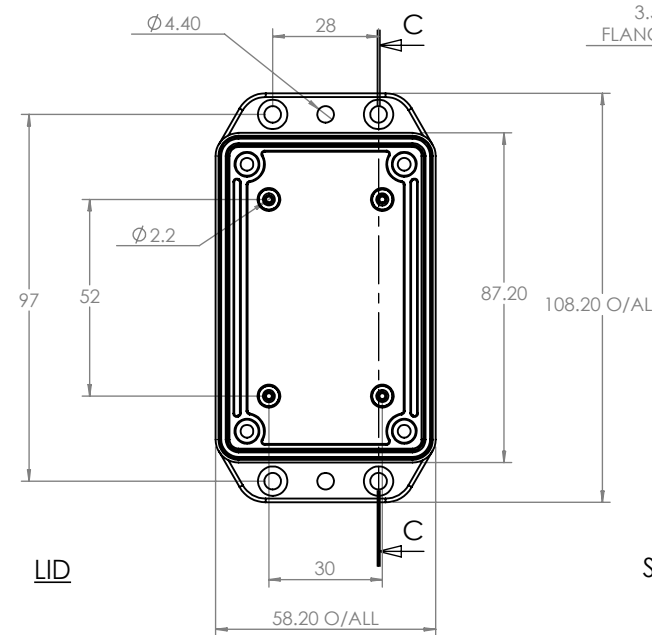
SECTION B-B



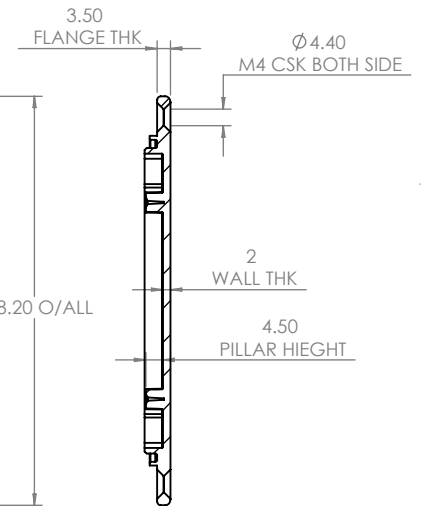
BASE



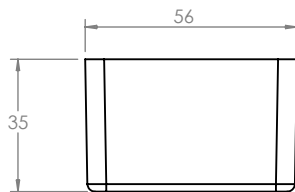
SECTION A-A



LID



SECTION C-C



 JAMES CARTER RD, MILDENHALL, SUFFOLK. IP28 7DE TEL: 01638 716101 FAX: 01638 716554 EMAIL: Sales@CamdenBoss.com WEB: www.CamdenBoss.com		UNLESS OTHERWISE SPECIFIED: DIMENSIONS ARE IN MILLIMETERS		DO NOT SCALE DRAWING	REVISION. 0
		FINISH. <b>SMOOTH</b>		TITLE: <b>GNL ASSY DRG FOR IP 2000-SERIES ENCLOSURE</b>	
DRAWN	S.HARDINGE	SIGNED	SJH	DATE	30/09/05
CHKD	-	-	-	-	-
MATERIAL. <b>ABS</b>		DWG NO. <b>2001-IP</b>		A4	
PROJECTION.		SCALE: 1 : 2		SHEET 1 OF 1	