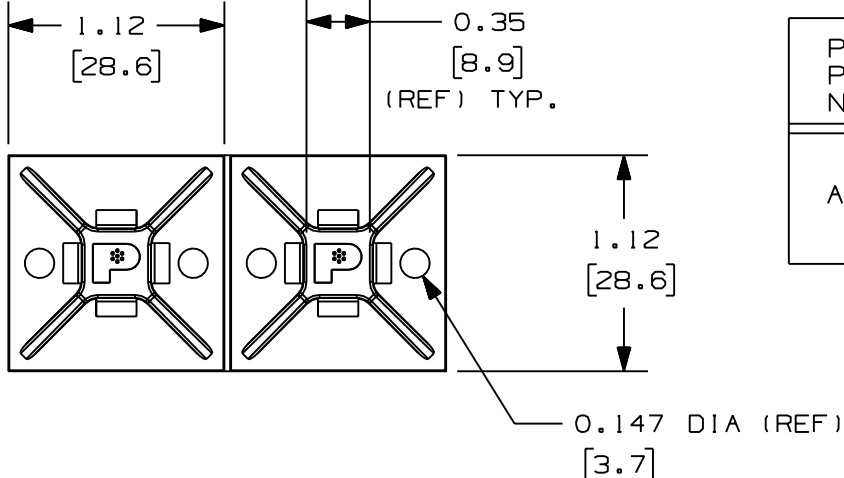
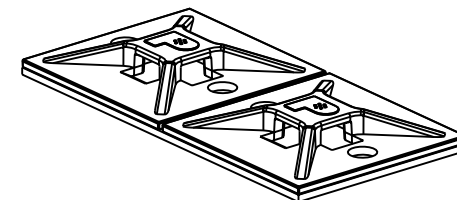


THIS COPY IS PROVIDED ON A RESTRICTED BASIS AND IS NOT TO BE USED IN ANY WAY DETRIMENTAL TO THE INTERESTS OF PANDUIT CORP.



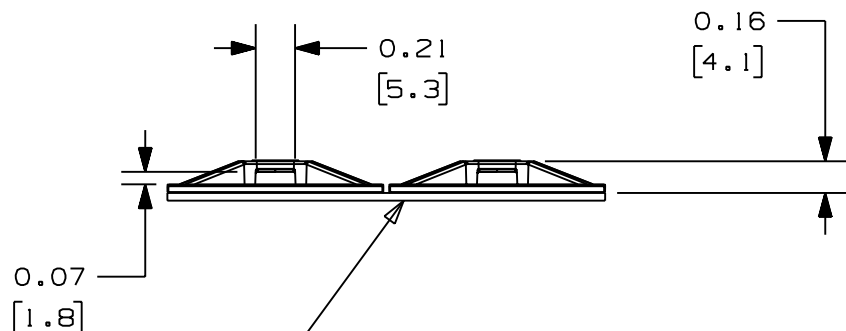
| PANDUIT PART NUMBER * | WEIGHT<br>lbs/100 pcs<br>(g)/100 pcs | USE WITH ANY OF THESE CABLE TIE CROSS-SECTIONS |
|-----------------------|--------------------------------------|--|
| ABM112-               | WITH ADHESIVE 0.30<br>(136)          | M, I, S  |
|                       | NO ADHESIVE 0.26<br>(117)            |  |



No warranty, expressed or implied, is made by Panduit with respect to adhesive bond performance. Among other things, the conditions under which these mounts may be applied and/or the surface to which they may be applied are beyond Panduit's control.

NOTES:

- SEE CURRENT PRICE SHEET FOR PART NUMBER SUFFIX DESIGNATION FOR PACKAGE SIZE AND COLOR.
- A SUFFIX REPRESENTS RUBBER ADHESIVE  
-AT SUFFIX REPRESENTS ACRYLIC ADHESIVE  
-S6 SUFFIX, NO ADHESIVE; SCREW APPLIED WITH A #6 M3 SCREW
- ADHESIVE MOUNTS ARE SUPPLIED IN STRIPS OF TWO.
- ABM112-A HAS A CONTINUOUS OPERATING TEMPERATURE OF 120°F (49°C). ABM112-AT HAS A CONTINUOUS OPERATING TEMPERATURE OF 180°F (82°C).



Adhesive Backing; Pressure Sensitive Adhesive Foam Tape 0.04 (1.0) thick with a protective liner. Mount is designed to support 0.63 lbs. (286g) max. weight on a clean, dry, smooth, grease free surface.

|   |   |
|---|---|
| DIMENSIONS IN BRACKETS ARE METRIC [ mm ]  |   |
| CAD FILENAME/LAYERS G00239F0_PB_ABM112_05   |   |
| <h1>PANDUIT</h1> CORP. TINLEY PARK, ILLINOIS  |   |
| ABM112-<br>4 WAY MOUNT  |   |
| UNLESS OTHERWISE SPECIFIED, DIMENSIONAL TOLERANCES ARE:<br>(.X) ±0.05 (1.3) (.XXX) ±0.010 (0.25)<br>(.XX) ±0.02 (0.5) ANGLES ± 5° | UNLESS OTHERWISE SPECIFIED, ALL DIMENSIONS ARE GIVEN IN INCHES, THIRD ANGLE PROJECTION. |
| DRAWN BY JAD  | MAT'L: NYLON 6/6  |
| DATE 12-17-97   | SCALE FULL  |
| CHK'D   | DRAWING NO. GB0239F0  |
|   | DWG SIZE A  |

| REV | DATE    | BY  | CHK | DESCRIPTION                | ECN      | R | CUST | SUP |
|-----|---------|-----|-----|----------------------------|----------|---|------|-----|
| 5   | 3/30/06 | JAD |     | DEL ABM30, MOVE TO NEW DWG | GB0239F0 | 5 |      |     |

# Mouser Electronics

Authorized Distributor

Click to View Pricing, Inventory, Delivery & Lifecycle Information:

[Panduit:](#)

[ABM112-AT-C](#) [ABM112-AT-C0](#) [ABM112-A-D](#) [ABM112-A-C](#) [ABM112-AT-D](#) [ABM112-AT-D0](#) [ABM112-S6-C69](#)  
[ABM112-S6-D](#) [ABM112-AT-L0](#) [ABM112-A-L](#) [ABM112-S6-C](#)