

SMD Seam Sealing Crystals

3.2 x 2.5 x 0.7 mm 7M Series



Features

- Extremely small SMD type crystal units.
- High precision and high frequency stability.
- Extremely good for reducing EMI effect.
- The best choice of Bluetooth, wireless communication set, DSC, PDA, and mobile phone.
- RoHS Compliant / Pb Free.

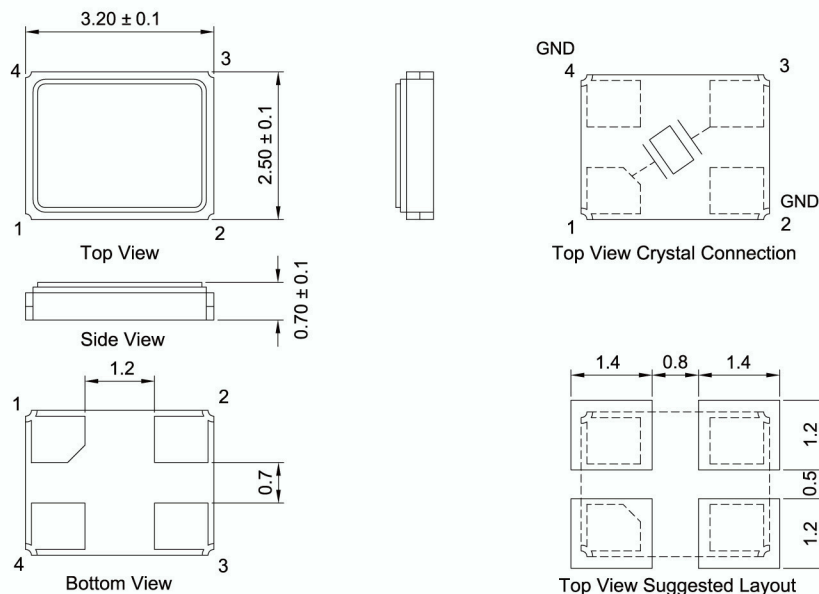
Electrical Specifications

Item / Type	7M
Frequency Range	10 ~ 114.285 MHz
Frequency Tolerance (at 25 °C)	± 30 ppm, or specify
Frequency Stability	± 30 ppm (-20 ~ +70 °C), or specify
Operating Temperature Range	-40 ~ +85 °C
Shunt Capacitance (C0)	3 pF Max.
Drive Level	1 ~ 100 μW (50 μW typical)
Load Capacitance	18 pF, or specify
Aging (at 25 °C)	± 3 ppm / year Max.
Storage Temperature Range	-40 ~ +85 °C

Equivalent Series Resistance(ESR)

Fundamental	
10 ~ 16 MHz	100 Ω Max.
16 ~ 20 MHz	80 Ω Max.
20 ~ 114.285 MHz	60 Ω Max.

Dimensions



Units: mm